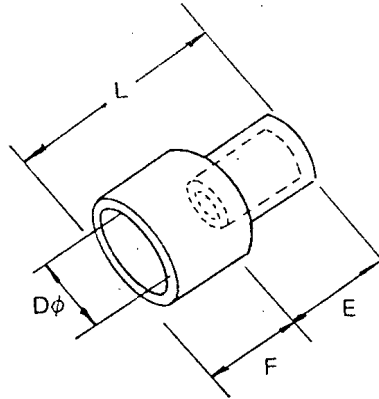


RS NO.: 534-907



WIRE RANGE		INSULATOR	DIMENSION (MM)				COLOR
AWG	mm ²		L	Dφ	F	E	
22-16	0.5- 1.5	NYLON	18.1	6.6	6.1	12.	TRANSPARENT

NOTE: TOLERANCE OF DIMENSION ± 0.2 MM.

PACKING: A) PER PACK : 100 PCS IN A POLYBAG WITH RS LABEL.
PER CARTON : 100 PACKS.
B) PER PACK : 1,000 PCS IN A POLYBAG WITH RS LABEL.
PER CARTON : 10 PACKS.

