

# STG-570

## CAN Mini-PLC super-flat

<b>3</b> ANALOG INPUT	<b>2</b> DIGITAL INPUT	<b>4</b> POWER OUTPUT	<b>1</b> POWER PWM
<b>CAN</b> BUS	TTL-232	SOLID STATE	STATUS LED
miCon-L	7...32V=	°C -40/+70	SHOCK PROOF



## FEATURES

- Tiny and super-flat CAN Logic Controller
- 3 analog Inputs 0 to 30 VDC, 12 bit ADC
- 2 digital Inputs up to 1 kHz
- 4 Power Outputs up to 1.5 A
- 1 Power PWM Output 2 A/1 to 10 kHz
- 1 CAN 2.0A/B Interface
- Reliable Solid-State Outputs
- Fail Safe Oscillator
- Programmable Status LED
- TTL-232/USB Connection to PC
- Intuitive graphical Programming Capability
- Wide Operating Voltage Range 7 to 32 VDC
- Wide Operating Temp. Range -40 to +70°C
- Vibration resistant and rugged Sealing
- Universal Aluminium Mounting Plate
- Engineered and manufactured in Germany

## APPLICATIONS

- Industrial Automation
- Building Automation
- Automotive and Maritime Technology
- Environmental Technology
- Light and Show Technology

## DESCRIPTION

The tiny STG-570 extends the established BARTH® Mini-PLC series with the smallest model featuring a rugged CAN interface with graphical programming capability.

The Mini-PLC provides outstanding graphical programming at lowest current consumption and the well-known small form factor.

The CAN bus allows the user to connect a variety of network components to the Mini-PLC, for example: displays, stepper motors or CAN sensors.

The STG-570 does not need any peripheral components to operate. Both inputs and outputs features highly integrated and rugged protection circuits to operate the Mini-PLC in really harsh environment.

These outstanding features open up a variety of application fields in industrial, automotive and 12/24V battery-powered applications.

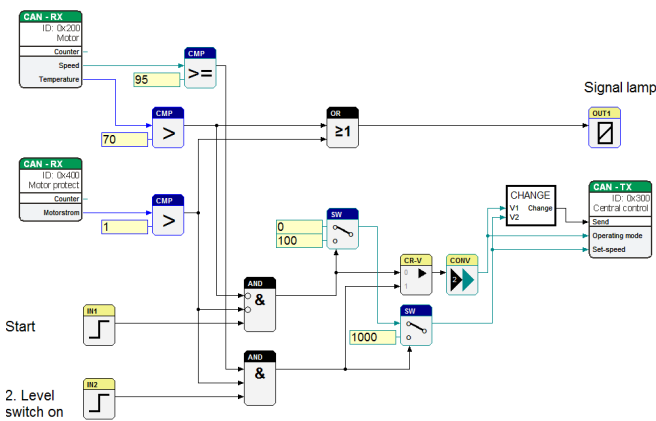
The STG-570 is also available as customer-tailored OEM version.

# STG-570

## PROGRAMMING WITH MICON-L

Without learning a difficult programming language the Mini-PLC can be easily programmed using simple and vivid graphical function blocks. This block design meets graphical standards of the latest graphical programming languages.

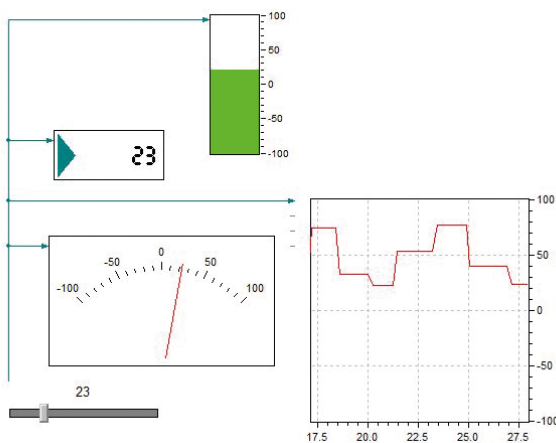
The miCon-L software suite features programming, simulation and test in one unique software design tool. The flexible programming option offers a variety of possibilities in industrial, automotive and maritime applications.



Programming the STG-570 follows using the USB port of your PC with installed miCon-L software suite and the VK-16 USB Connection Cable.

The miCon-L Software supports full simulation and visualisation operation modes.

miCon-L provides a variety of visualisation blocks and interactive elements to control and debug the Mini-PLC.



## SPECIFICATIONS

<b>Operation Voltage</b>	7 to 32 VDC
<b>Current Consumption</b>	nominal 15 mA at 32 VDC (depending on configuration)
<b>Fusing</b>	5 A max. (external)
<b>CAN</b>	CAN 2.0A (11 bit ID) CAN 2.0B (29 bit ID), 100, 125, 250, 500 kbit
<b>Digital Input IN1 - IN2</b>	$U_{IN} = 0$ to 30 VDC, $R_I > 30$ kOhm $U_{LOW} \leq 5$ VDC, $U_{HIGH} > 5$ VDC $f_{IN} \leq 1$ kHz, $t_{IN} \geq 1$ ms
<b>Analog Input IN3 - IN5</b>	$U_{IN} = 0$ to 30 VDC, $R_I > 11$ kOhm
<b>Accuracy ADC</b>	$\pm 1\%$ ( $< 0,25$ VDC) 12 Bit
<b>Digital Output OUT1 - OUT4</b>	$I_{OUT} \leq 1.5$ A (resistive load) @ $f_{OUT} = 0$ to 100 Hz $U_{OUT} \geq U_{IN} - 0.45$ V, $I_{TOT} \leq 4$ A
<b>PWM Output OUT5</b>	$I_{OUT} \leq 2$ A (resistive load) @ $f_{OUT} = 1$ kHz to 10 kHz $U_{OUT} \leq GND + 0.25$ V
<b>Security Features</b>	Watchdog (WD) Fail safe oscillator (FSO) Brown out detection (BOD) Power up timer (PUT)
<b>Conformity</b>	2004/108/EG 2004/108/EC 2014/30/EU
<b>Electrical Connection</b>	pluggable spring terminal connectors 0.25 to 1.5 mm <sup>2</sup>
<b>Operation Temperature</b>	-40 to +70 °C (IEC 60068-2-1/2)
<b>Storage Temperature</b>	-40 to +70 °C (IEC 60068-2-1/2)
<b>Shock Resistance</b>	min. 100 m/s <sup>2</sup> (10G)
<b>Vibration Resistance</b>	min. 50 m/s <sup>2</sup> (5G) @ 10 to 100 Hz
<b>Protection Grade</b>	IP 20
<b>Housing Material</b>	Grilon TSG-30/4, UL: V0
<b>Potting Material</b>	Polyurethane Resin, UL: V0
<b>Weight</b>	50 g (without connectors)
<b>Dimensions</b>	60 x 45 x 11 mm (LxWxH) without connectors
<b>Ordering Information Mini-PLC</b>	Mini-SPS STG-570 Art.-No. 0850-0570 GTIN 4251329400163
<b>Ordering Information Accessory</b>	Connection Cable VK-16 USB Art.-No. 0091-0016 GTIN 4251329400187

## DOCUMENTS, VIDEOS & SOFTWARE

[www.barth-elektronik.de](http://www.barth-elektronik.de)

[www.micon-l.de](http://www.micon-l.de)