

DFRobot Digital Push Button SKU:DFR0029

Contents

- 1 Introduction
- 2 Improvement List
- 3 Specification
- 4 Connection Diagram
- 5 Sample Code
- 6 Version History

Introduction

This is a big button which gives the first touch of the physical world. Simply plug to IO expansion board to finish your first taste of Arduino.

Improvement List

- Wide voltage range from 3.3V to 5V
- Standard assembling structure (two 3mm diameter holes with multiple of 5mm as distance from center)
- Easily recognitive interfaces of sensors ("A" for analog and "D" for digital)
- Icons to simply illustrate sensor function
- High quality connector
- Immersion gold surface

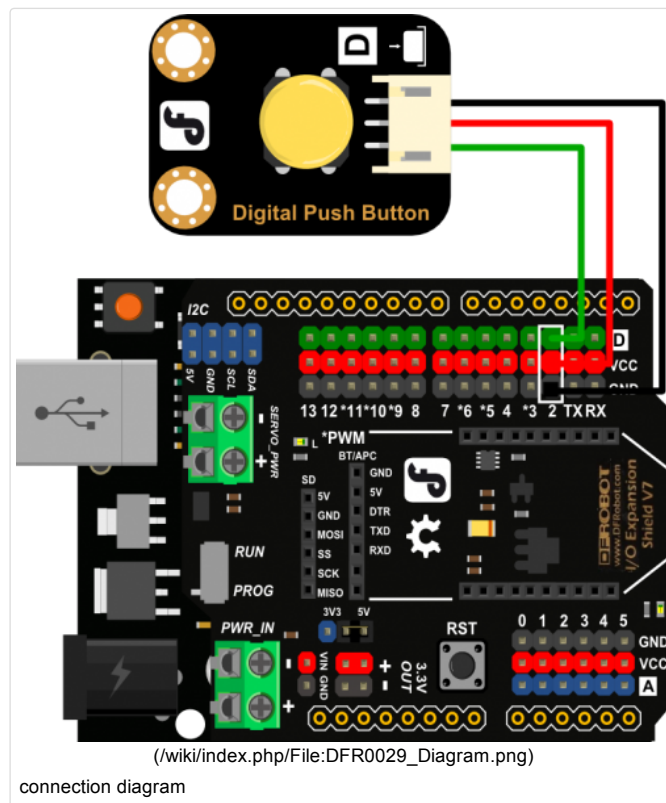


(/wiki/index.php/File:DFR0029.JPG)
Digital Push Button

Specification

- Supply Voltage: 3.3V to 5V
- Indicator LED on board
- Easy to 'plug and play'
- Large button keypad and high-quality first-class hat
- Able to achieve very interesting and an interactive work
- Interface: Digital
- Size:22x30mm

Connection Diagram



Sample Code

```
/*
 # Description:
 # When you push the digital button, the Led 13 on the board will turn on. Otherwise,the led turns off.
*/
int ledPin = 13;           // choose the pin for the LED
int inputPin = 2;         // Connect sensor to input pin 3

void setup() {
  pinMode(ledPin, OUTPUT); // declare LED as output
  pinMode(inputPin, INPUT); // declare pushbutton as input
}

void loop(){
  int val = digitalRead(inputPin); // read input value
  if (val == HIGH) {             // check if the input is HIGH
    digitalWrite(ledPin, LOW); // turn LED OFF
  } else {
    digitalWrite(ledPin, HIGH); // turn LED ON
  }
}
```

Version History

Digital Push Button V1 ([http://www.dfrobot.com/wiki/index.php?title=DFRobot_Digital_Push_Button_\(SKU:DFR0029\)](http://www.dfrobot.com/wiki/index.php?title=DFRobot_Digital_Push_Button_(SKU:DFR0029)))

→ (</wiki/index.php/File:Nextredirectlr.png>)Go Shopping DFRobot Digital Push Button (SKU:DFR0029) (http://www.dfrobot.com/index.php?route=product/product&keyword=dfr0029&category_id=0&description=1&model=1&product_id=73)

Categories (</wiki/index.php/Special:Categories>): [Product Manual \(/wiki/index.php/Category:Product_Manual\)](/wiki/index.php/Category:Product_Manual)
| [DFR Series \(/wiki/index.php/Category:DFR_Series\)](/wiki/index.php/Category:DFR_Series)

This page was last modified on 9 September 2013, at 05:44.

Content is available under GNU Free Documentation License 1.3 or later (<https://www.gnu.org/copyleft/fdl.html>) unless otherwise noted.



(<https://www.gnu.org/copyleft/fdl.html>)



(<http://www.mediawiki.org/>)