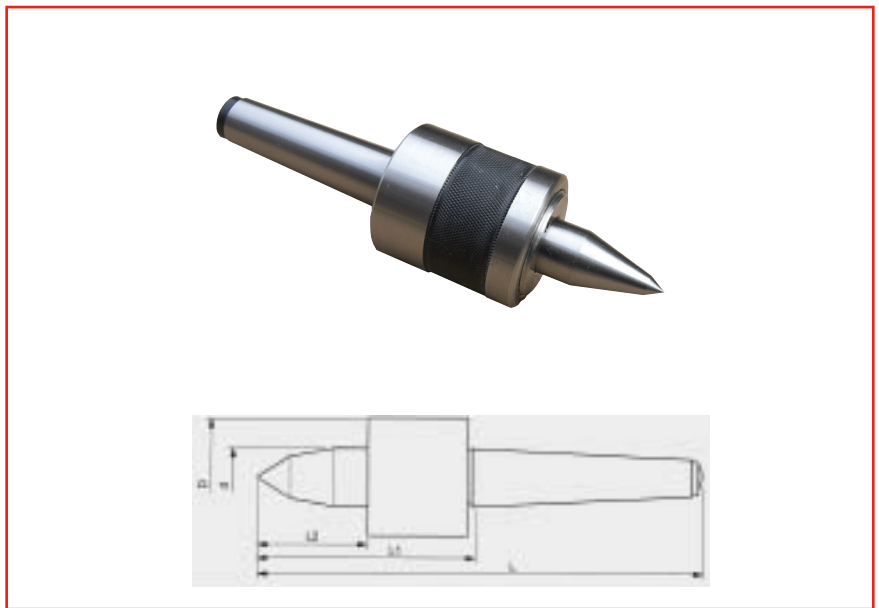


Datasheet

RS Pro Extended Revolving Centre

RS Stock No: 463-7252



Specifications:

Manufactured from high quality tool steel
 Hardened and tempered
 Precision ground externally
 60° Point
 Fully sealed bearings
 Maximum run-out 0.0085mm

Order Code	MT No.	d	D	L	L1	L2	Max Weigh Load	Speed Max
463-7252	MT 2	18	40	154	86	32	200	5000

Order Code	Manufacturers Code	Description
463-7252	RCE-02	Extended Revolving Centre