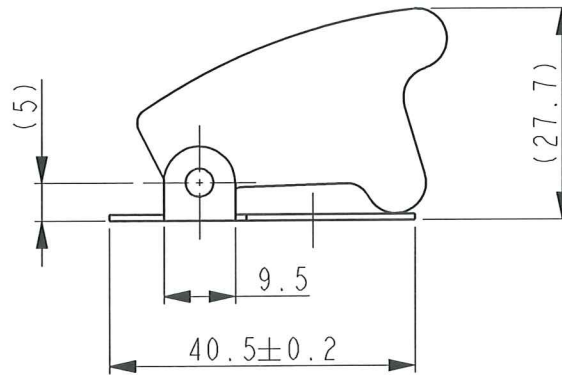
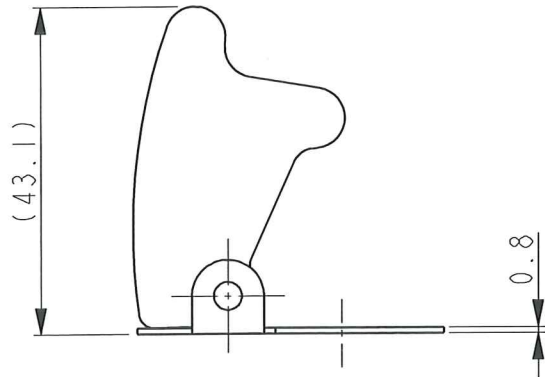
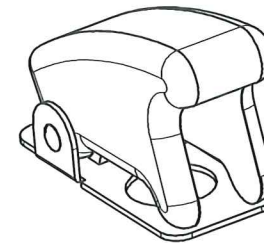
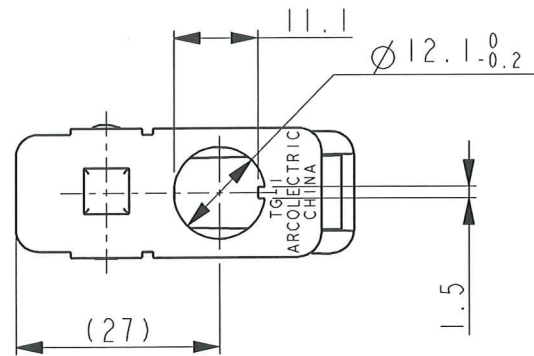
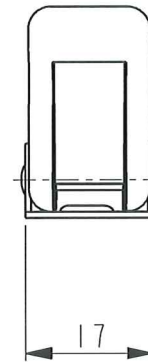


Drawing no. R171000AAA
 Used as

DO NOT SCALE DRAWING



(16.2)



FACE PLATE STEEL, FINISH COLOUR BLACK.
 SPRING-LOADED SWITCH COVER MATERIAL ABS, COLOUR ORANGE.
 MOUNTING HOLE ACCEPTS SWITCH WITH 12mm OR
 15/32" DIAMETER BUSHING.
 ACCEPTS STANDARD 17.5 mm (11/16") SWITCH HANDLES.

ISSUE	ECR No.	NOTE	DATE
1			26/09/16

ALL DIMENSIONS IN MILLIMETERS
 TOLERANCES UNLESS OTHERWISE STATED SHALL ADHERE TO:
 ISO 2768- mK

THIRD ANGLE PROJECTION

COPYRIGHT © 2014 ELEKTRON TECHNOLOGY UK LTD. ALL RIGHTS RESERVED.
 NO UNAUTHORISED DUPLICATION OR MANUFACTURE PERMITTED

Brand	ARCOLECTRIC	Document type	OUTLINE DRAWING	Date issue created	26/09/2016
 Elektron Technology UK Ltd Broers Building JJ Thomson Avenue Cambridge CB3 0FA United Kingdom www.elektron-technology.com	Drawing no.	R171000AAA		Material	
	Title / Description	SAFETY COVER		Finish	SEE NOTE
Created by	C. HIBBERD	Approved by		Scale	1:1
Sheet size	A4	Sheet no.	Sheet 1 OF 1		