

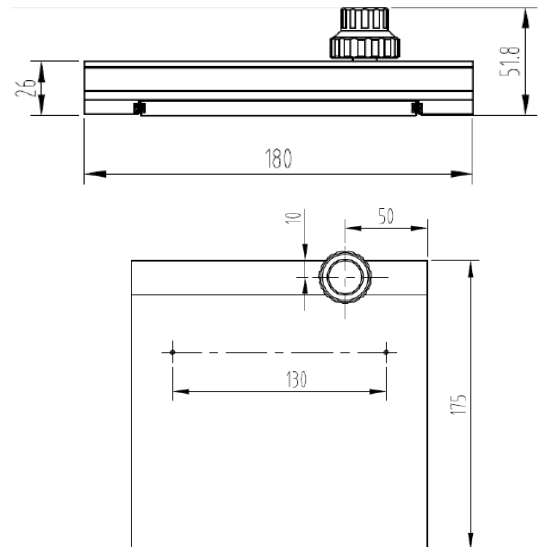
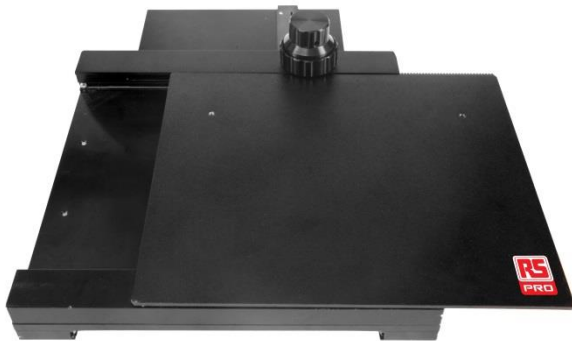


ENGLISH

Datasheet

Stock No: 121-2760

# RS Pro X-Y Stage



## Features

XY Control with Dual Knob

Clamps for securing slides or other objects

## Dimensions (L x W x H, CM)

17.5 x 18 x 5.1

## Moving Range (mm)

X: 100, Y: 86

## Weight

2.2 Kg

## Warranty

1 Year