



Main

Range of product	OsiSense XC
Series name	Standard format
Product or component type	Wireless limit switch
Device short name	XCKW
Body type	Fixed
Head type	Plunger head

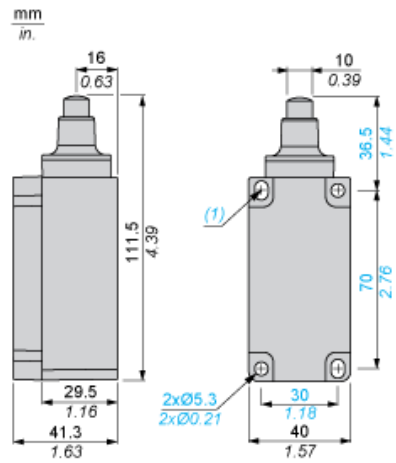
Complementary

Body material	Plastic
Head material	Plastic
Lever material	Metal
Fixing mode	By 4 screws
Type of operator	Metal spring return plunger
Switch actuation	On end
Type of approach	1 direction vertical approach
Communication network type	ZigBee green power 2.4 GHz conforming to IEEE 802.15.4
Electrical composition code	PW1
Emission power	3 mW
Response time	<= 2 ms
Maximum sensing distance	40 m with receiver in metal enclosure and active antenna 25 m with receiver in metal enclosure 300 m with external antenna 100 m in free field
Contacts operation	Snap action
Number of steps	1
Maximum force for tripping	5 daN
Maximum actuation speed	0.5 m/s
Operating rate	<= 60 cyc/mn
Mechanical durability	400000 cycles
Switching operation per hour	<= 3600
Width	40 mm
Height	112 mm
Depth	41 mm
Product weight	0.21 kg

Environment

Electromagnetic compatibility	Electrostatic discharge immunity test : 8 kV, in free air (in insulating parts) Electrostatic discharge immunity test : 6 kV, on contact (on metal parts) Susceptibility to electromagnetic fields : 10 V/m, 80...2000 MHz Susceptibility to electromagnetic fields : 3 V/m, 80...2700 MHz, distance = 20 m Immunity for industrial environments Radiated emission
Shock resistance	(Duration = 11 ms) conforming to IEC 60068-2-27
Vibration resistance	25 gn (vibration frequency: 10...500 Hz) conforming to IEC 60068-2-6 +/- 10 mm (vibration frequency: 2...11 Hz) conforming to IEC 60068-2-6
IP degree of protection	IP66 conforming to IEC 60529 IP67 conforming to IEC 60529
IK degree of protection	IK05 conforming to EN 50102
Ambient air temperature for operation	-25...55 °C
Ambient air temperature for storage	-40...70 °C
Directives	2004/108/EC - electromagnetic compatibility 1999/5/EC - R&TTE directive
Standards	EN/IEC 60947-1 EN/IEC 60947-5-1
Radio agreement	IC RSS FCC

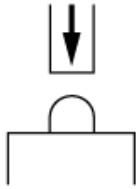
Dimensions



(1) 2 elongated holes 5.3 x 7.3 mm / 0.21 x 0.29 in.

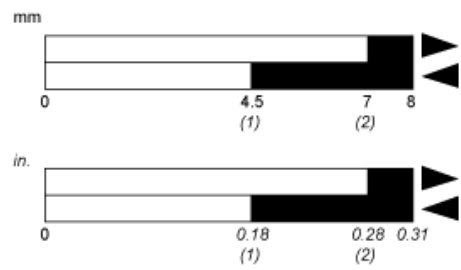
Mounting

Characteristics of Actuation



Technical Description

Functionnal Diagram, Travel Distance



- (1) Reset
- (2) Set