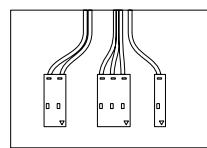
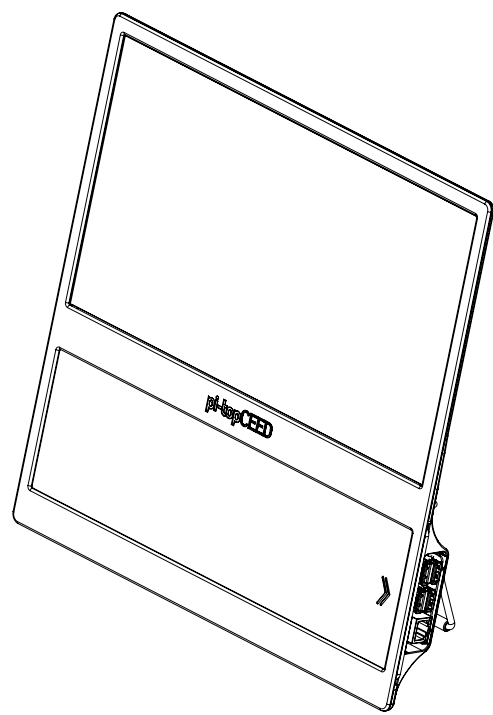


Follow this side if your pi-topCEED has jumper cables.



The jumper cables offer the most flexible usage of your Micro Computer's GPIO pins.



Welcome

Welcome to the pi-top family!

pi-topCEED is very special to us (and so are you, of course!). We are hugely passionate about this product and are thrilled to provide excellent content so you can learn to make anything. Your support has helped to make this a reality and we thank you for joining us on this exciting maker journey!

We believe pi-topCEED is the best way to get started with hardware and software. Open up your box and immediately immerse yourself in a new way of exploring computing – unlocking a world of possibilities. As you grow and learn, pi-topCEED will be part of your journey to expand your knowledge - the only limit is your imagination!

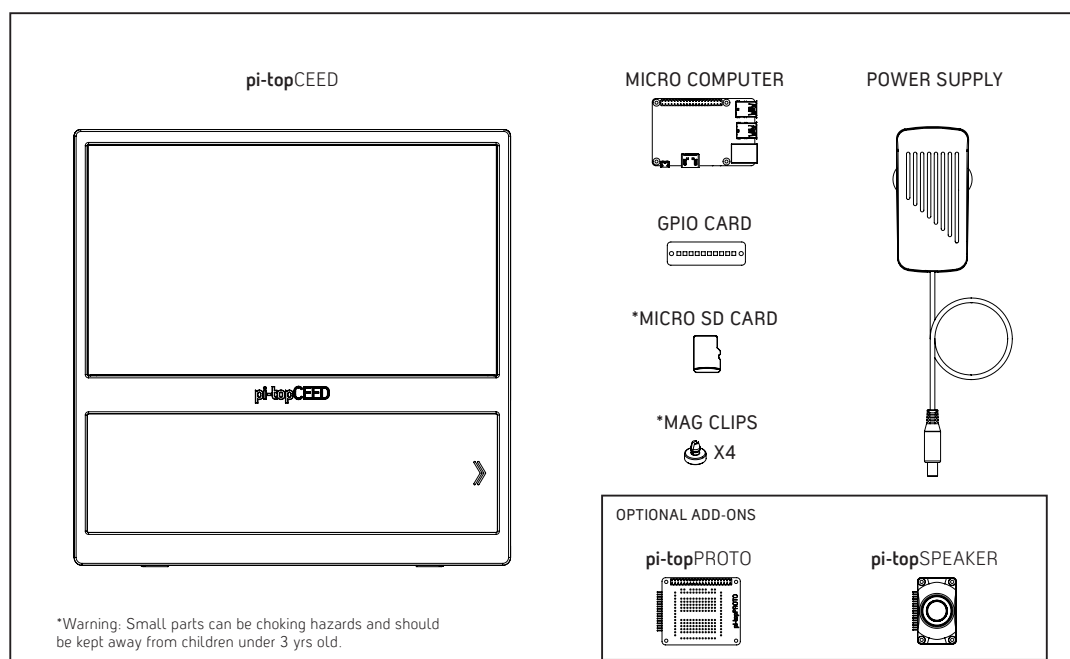
So, let's get started! Set up your pi-topCEED following our manual so you can log-in and start your own cool projects, play our educational game CEEDuniverse and more!

Step through the world's gateway to technology.

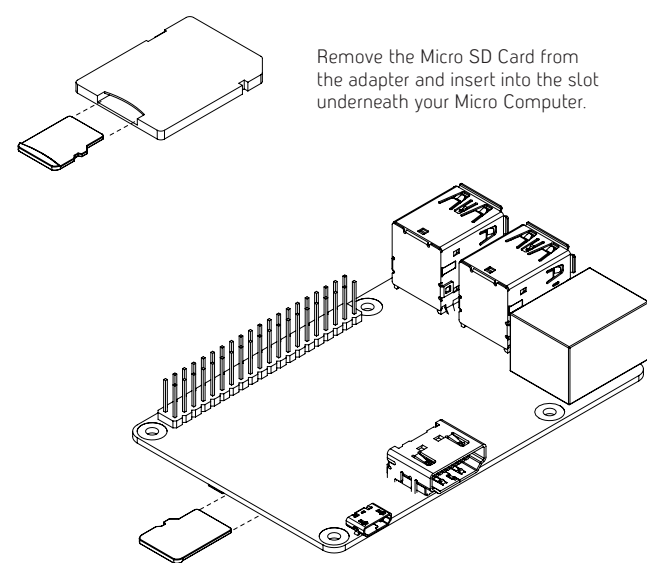
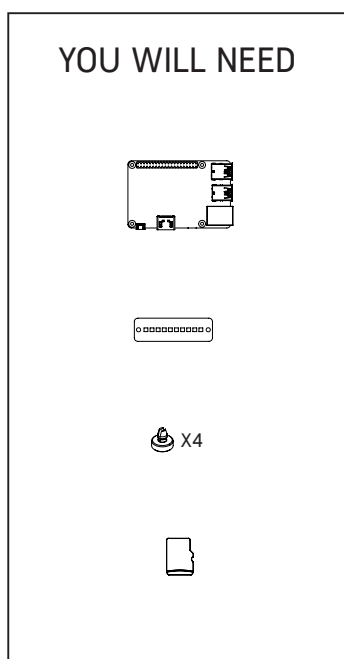
With love,

The pi-top Team

Getting Ready: What's in the Box?

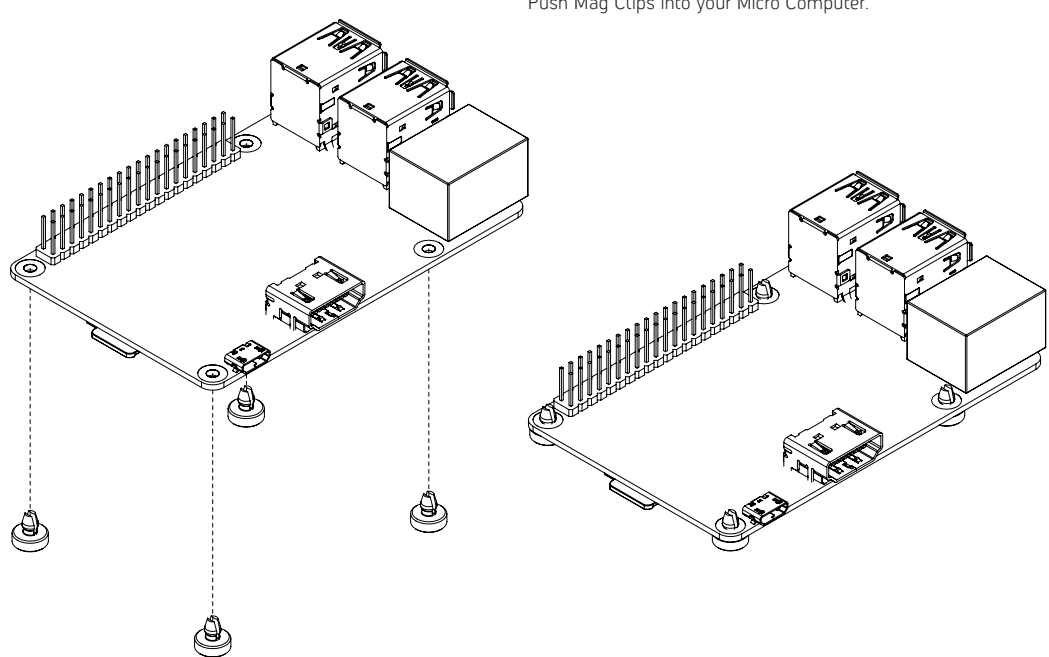


Step 1: Inserting MicroSD Card

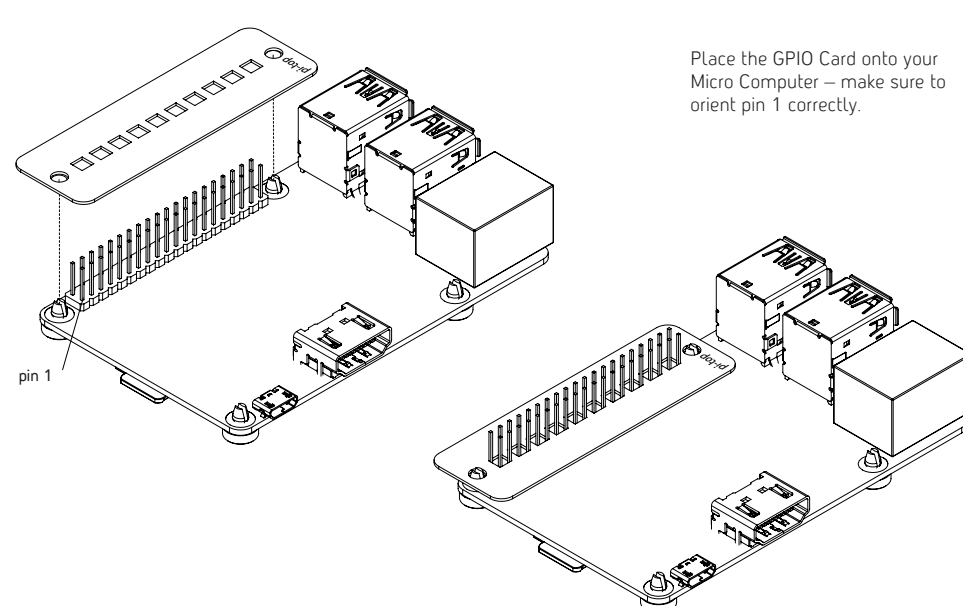


Step 2: Inserting Mag Clips

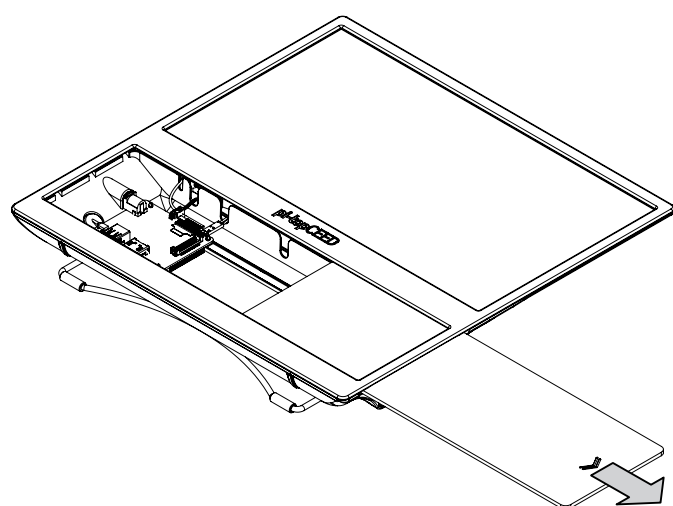
Push Mag Clips into your Micro Computer.



Step 3: Adding GPIO Card



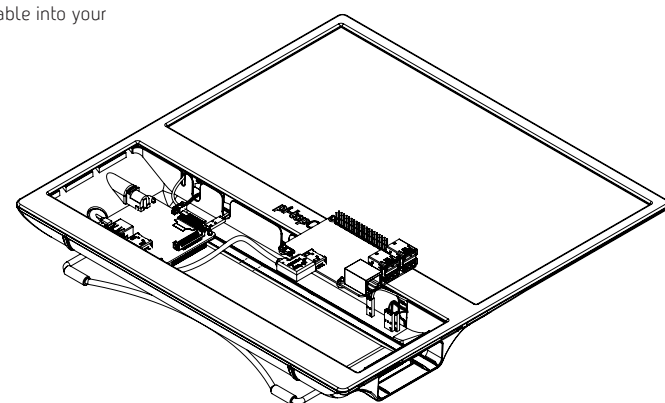
Step 4: Prepare pi-topCEED



Remove the Acrylic Slice from your pi-topCEED.

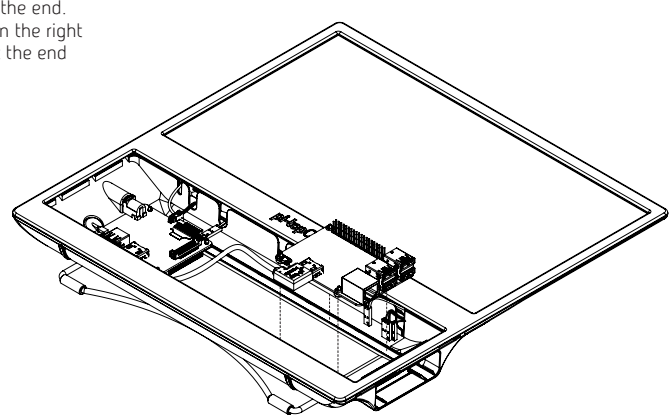
Step 5: Connecting HDMI Cable

Connect the HDMI Cable into your Micro Computer.



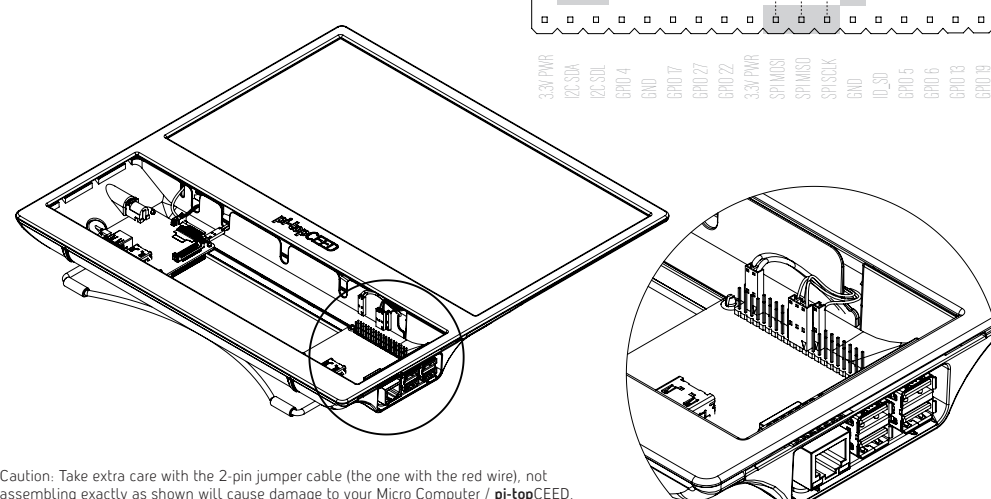
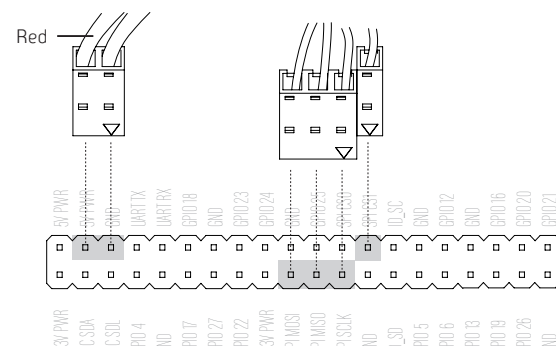
Step 6: Inserting Micro Computer

Place your Micro Computer onto the Mag Rail and slide it to the end. Ensure the two Mag Clips on the right are lifted over the bumps at the end of the Mag Rail.

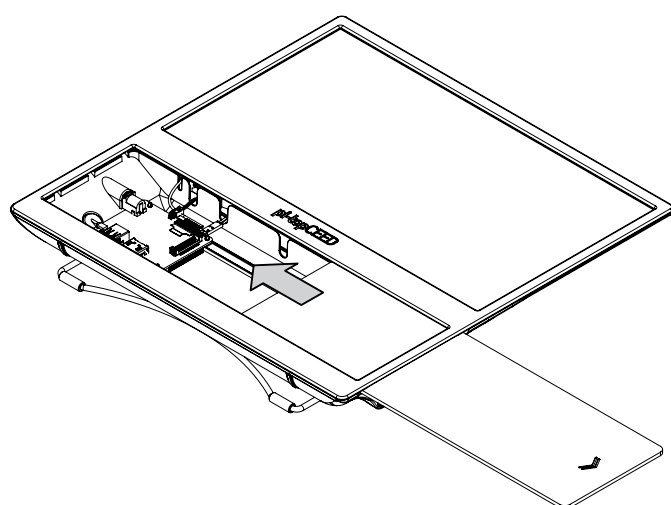


Step 7: Connecting GPIO

Connect the female jumpers onto your Micro Computer. Ensure the arrow on the jumper is facing your Micro Computer to avoid damage.

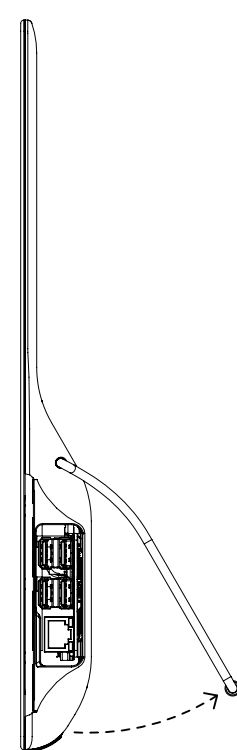


Step 8: Sliding in Acrylic Slice



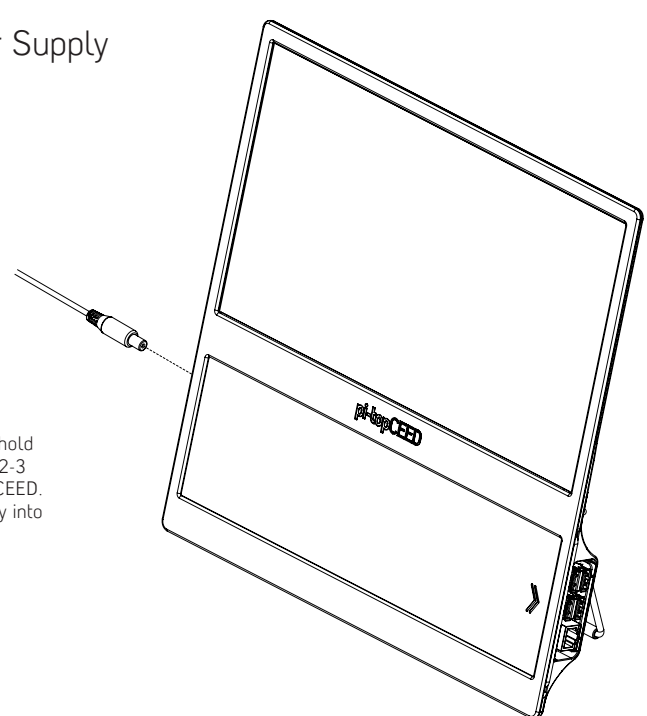
Step 9: Adjusting Kick Stand

Adjust the Kick Stand so your pi-topCEED sits on a desk at a comfortable viewing angle.



Step 10: Connecting Power Supply

Plug in the Power Supply and hold the Power Button beside it for 2-3 seconds to turn on your pi-topCEED. You can now begin your journey into the world of computing!



For more build instructions and FAQ, visit: www.pi-top.com/build

For help please contact: support@pi-top.com