

5

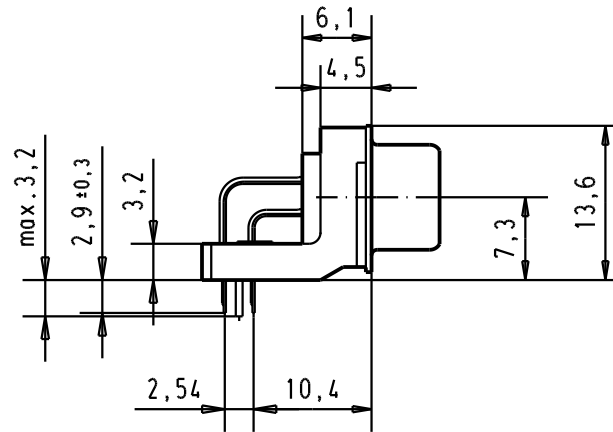
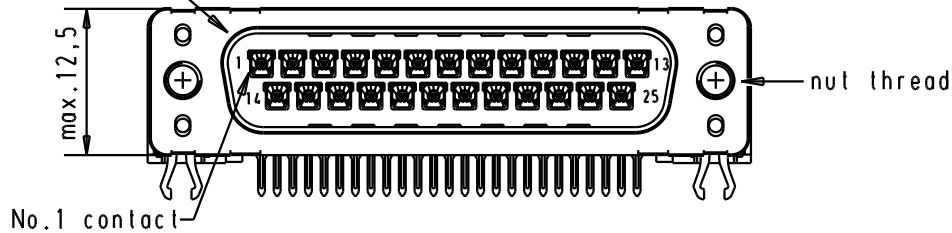
4

3

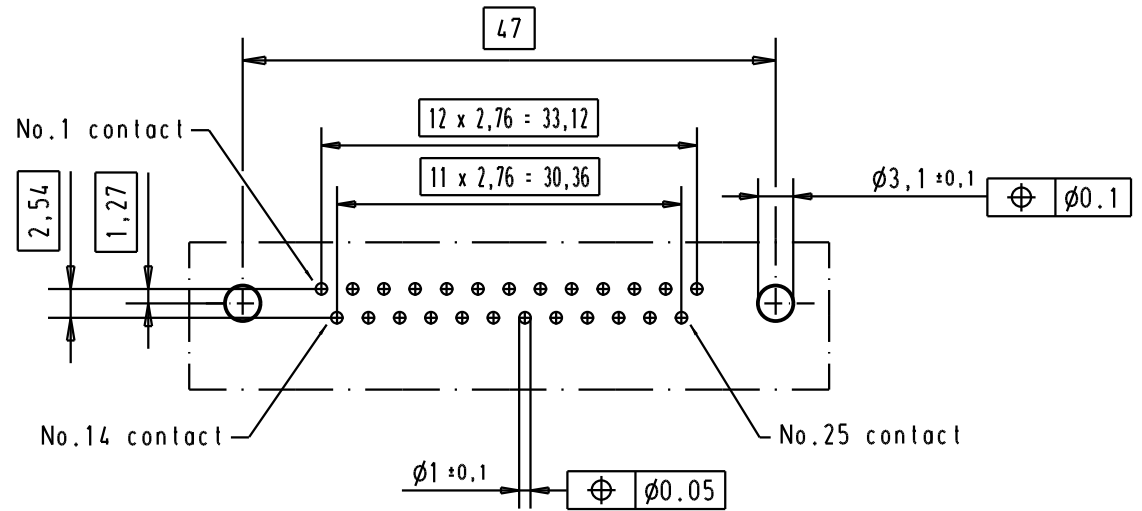
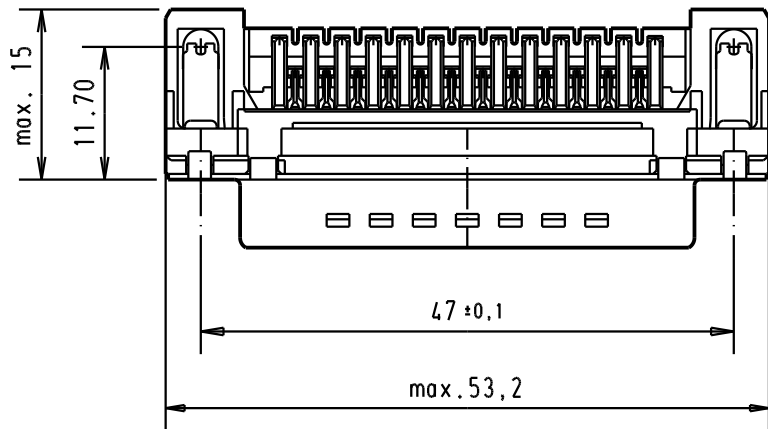
2

1

Mating face according to : MIL-C-24308 / DIN 41652 / CECC 75301-802



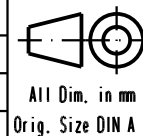
PCB layout hole component side



Connector retention and insertion forces on the PCB = 25 / 80 newtons

09 65 362 3811	M3	1						
09 65 362 6811	M3	2				Detail.	15/dec/00	ALSPACE
09 65 362 7811	M3	3	31892	22/04/04	JH	Insp.		
09 65 362 3812	4-40 UNC	1	31084	04/09/02	YT	Stand.		
09 65 362 6812	4-40 UNC	2	29689	03/07/01	AA			
09 65 362 7812	4-40 UNC	3	27960	15/dec/00	ALSPACE			
Part number	Nut thread	Performance level	Mod.	Dat.	Name			

HARTING EURL
F-95972 Paris



D-Sub, male, standard angle,
25 poles, with solder pin,
nut and grounding board lock.

TB 0965362x81x

Sub.

Moßstab/
Scale
1.5:1

Blatt/ Page
5

D

C

B

A