



# M Mounting



## M-Mounting

Novibra type M is specifically designed to give large deflection at low loads. Although the mount design allows high deflection, the mountings are compact in weight and easy to install.

It's unique construction and the latest production methods make Novibra type M a high performance anti-vibration mounting with a number of advantages:

- Tight tolerance on dynamic stiffness rates for accurate vibration calculations.
- Wide load rating options, 3.5-2500 kg
- Corrosion protected to cope with arduous environments on land or marine applications (Fe/Zn8C2 as per ISO 2081).
- Clear and durable product markings so that the mountings can be identified even after several years in operation.

When using M mount together with the height adjuster HA, it is necessary to use a washer. The diameter of the washer must be 20% larger than the diameter of the upper plate (D).

The M-Mounting is ideal for applications involving isolation of low frequency vibration on all planes. Also suitable for shock attenuation due to the designed ability to offer large deflections. Provides passive vibration isolation on electronic instruments, measuring equipment and test cells.

## About Trelleborg Industrial AVS

Over 100 years of experience as Metalastik and Novibra, today Trelleborg Industrial AVS make improvements people can physically feel. From smoother travel to quieter, more efficient machines, we make life feel better. With quality, testing and compliance built in, we're in it for the long haul, ensuring your solution still works, over an extended and often arduous life-cycle.

With three state-of-the-art manufacturing plants across the globe, our experience in rubber to metal bonding enhances several industries, including off-highway vehicles, rail and mass transit, marine and energy and general industry.

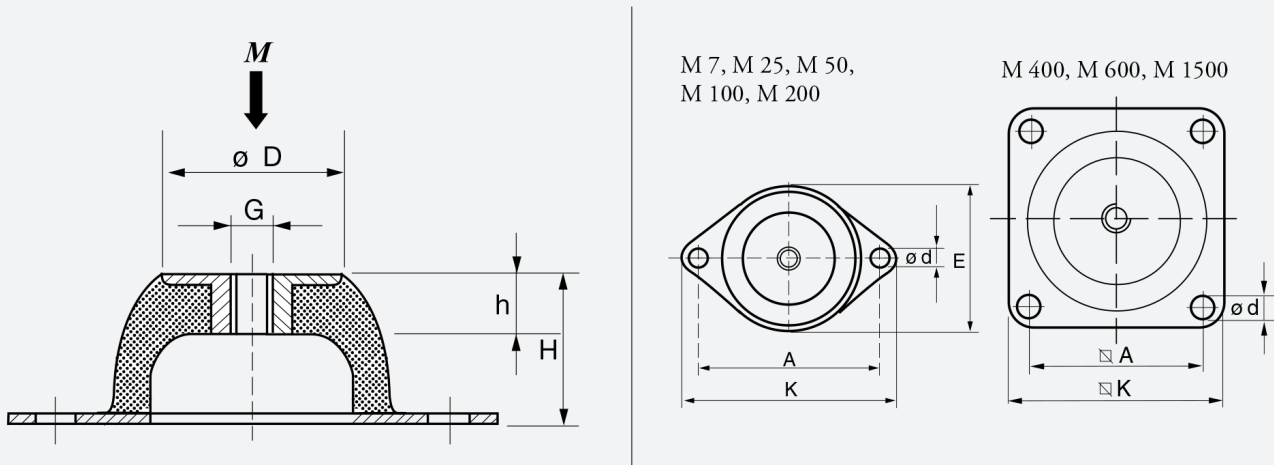
We offer an end-to-end service, to take you from concept through design, manufacturing and testing to delivery. This reduces the complexity of supply, helping you cut costs, mitigate risk and receive on time, on budget delivery.

Trelleborg IAVS is part of Trelleborg Group, which employs 15,000 people in over 40 countries. Whatever your challenge, whatever your role and wherever you are, we are nearby to offer expert knowledge and quality solutions.



# M-Mounting

## Technical Drawing



## Product Data

TYPE	PART NO		DIMENSIONS IN MM								WEIGHT (KG)	M-MAX (KG)	
	40° IRH	60° IRH	D	E	A	K	H	h	d	G		40° IRH	60° IRH
M 7	10-00623-01	10-00140-01	18	43	50	64	20	7	7.0	M6	0.02	3.5	9
M 25	10-00094-01	10-00095-01	33	56	66	85	25	11	8.0	M8	0.07	20	50
M 50	10-00096-01	10-00097-01	45	76	92	114	35	14	10.0	M10	0.16	40	80
M 100	10-00100-01	10-00099-01	53	96	110	136	40	15	11.5	M20	0.26	70	150
M 200	10-00102-01	10-00103-01	58	101	124	151	45	13	11.5	M10	0.42	130	220
M 400	10-00104-01	10-00105-01	78		120	150	63	18	14.5	M12	1.06	280	500
M 600	10-00080-01	10-00081-01	100		160	200	85	25	14.5	M16	2.35	380	750
M 1500	10-00082-01	10-00083-01	186		250	310	160	43	18.0	M24	9.43	1400	2500



[WWW.TRELLEBORG.COM/ANTI-VIBRATION-SOLUTIONS](http://WWW.TRELLEBORG.COM/ANTI-VIBRATION-SOLUTIONS)

For further information visit our website or e-mail [industrialavs@trelleborg.com](mailto:industrialavs@trelleborg.com)

The content in this datasheet was correct at the time of printing, but is subject to change without notice.