



# External power supplies



AC/DC Single Output Desk top Type

40~72 Watts Max.

EA1068 Series



## Features

- CEC level VI
- RoHS compliance
- Over voltage and over current protection
- Over temperature and short circuit protection
- Short circuit protective installation
- LED indication
- MTBF: >30,000 hours
- No load power consumption <0.21W

## Electrical Specifications

RS STOCK NO.	MODEL OUTPUT	VOLTAGE (Vo)	MAX. LOAD (Lo)	POWER (Watts)	LOAD REGULATION	LINE REGULATION	RIPPLE & NOISE
904-8480	EA10681U(17)	12V	6.0A	72W	+/- 5%	+/- 3%	2%
904-8503	EA10681V(08)	24V	3.0A	72W	+/- 5%	+/- 3%	1.5%

NOTE:  
 1: Ripple & noise is measured by using 20MHz bandwidth limited oscilloscope and terminated each output with a 0.1uf ceramic capacitor & parallel with 47uF aluminum capacitor at full load and nominal line.  
 2: Line regulation is defined by changing  $\pm 10\%$  of input voltage from nominal line at rated load.

## Electrical Specifications

### INPUT

- Input range: 100 to 240 VAC
- Frequency: 50 to 60Hz
- Input current: 1.3A at 230VAC
- Inrush current: 120A at 230VAC
- Efficiency: 88% Typ.
- Hold up time:  $\geq 10\text{mS}$
- Turn on time:  $\leq 3\text{s}$

### OUTPUT

- Over voltage protection: latched
- Short circuit protection: auto recovery
- Over temperature protection: latched

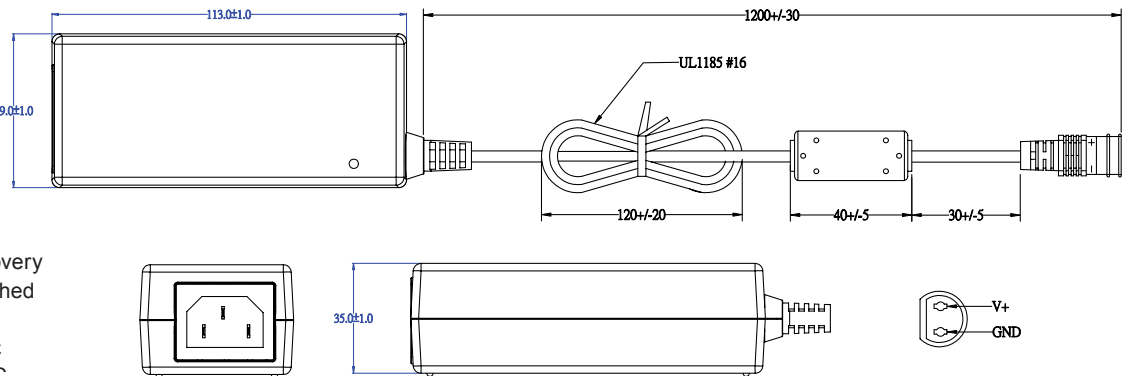
### ENVIRONMENTAL

- Operating temperature: 0 to 40°C
- Storage temperature: -20 to 85 °C
- Storage humidity: 5% to 95%

### SAFETY

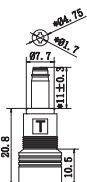
- UL/CUL TUV, CB, FCC, CCC, CE, GS, PSE, BSMI, CU, RCM, UL-AR S Mark

## Mechanical Specification

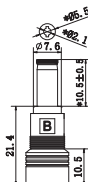


- Case Size: 113Lx49Wx35H (mm)
- AC Inlet: C14
- Weight: 300g

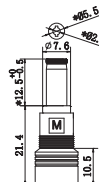
4.75 / 1.75 / 11.00mm



5.5 / 2.1 / 10.50mm



5.5 / 2.5 / 12.5mm



6.3 / 3.0 / 12.00mm

