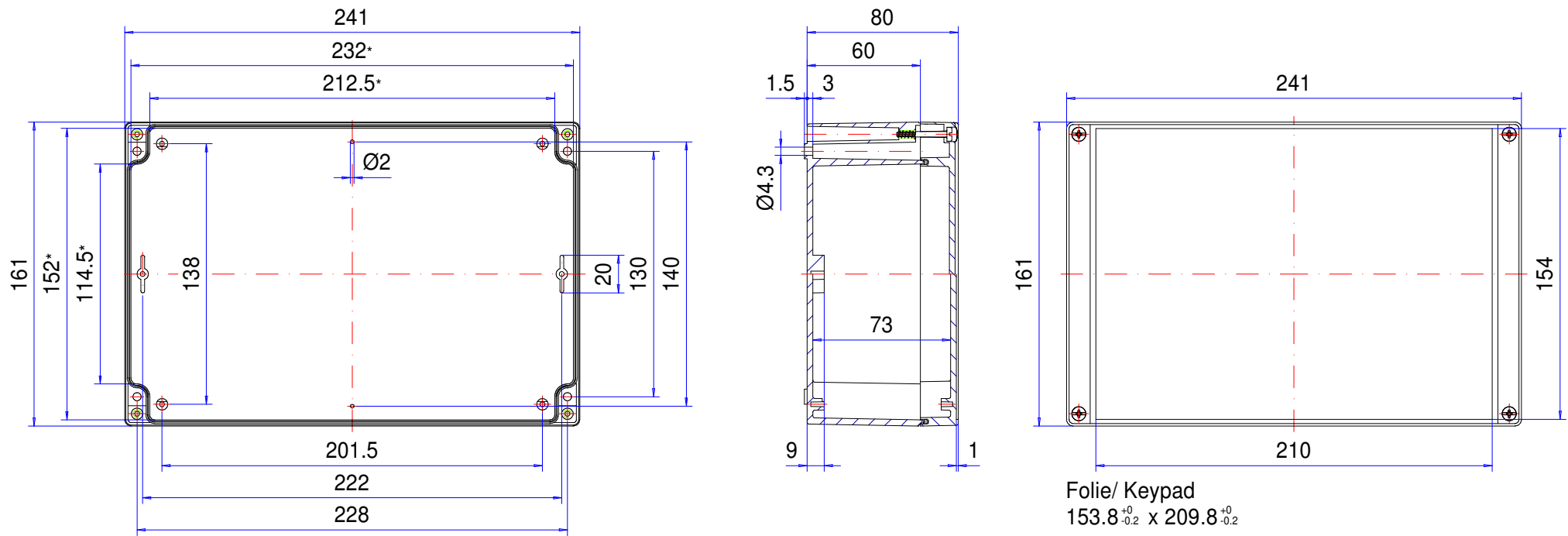



Enclosure series technoBOX

Type: TBA 162

Material-No.: 220.162.000



* Please note: Mould slope for casting ejection, dimensions in the amount of the bottom!

| | | | | |
|--------------------|--|--|-----------------|--|
| Enclosure material | ABS, UL 94 HB, RAL 7035, light grey |  | Weight | 650 g |
| Lid screws | 4x stainless steel 1.4567 (V2A), captive | | Assembly screws | 4x KBL $\varnothing 3 \times 6$, galvanized steel |
| Gasket | 1x Chloroprene (CR), light grey | | Surface | Mirror finished |
| Ingress protection | IP66 EN 60529 | | Tolerance | DIN ISO 16901 T-130 (outside dimensions $\pm 0,5\text{mm}$) |
| | | | | |