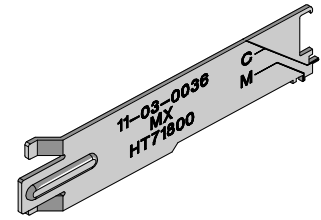


Insertion and  
Extractor Tool  
(HT-71800)



**Application Tooling  
Specification Sheet**



**Order No. 11-03-0036**

**FEATURES**

- For the removal and insertion of SL Modular Interconnection Product Wire-to-Wire and Wire-to-Board Terminal series in interim clips or panel mount modules, and both male and female crimp terminals.

**SCOPE**

Products: SL™ Crimped Terminals, 22-36 AWG.

| Housing Series No.      | Terminal Series No. | Terminal Order No. |            |            |            |            |            |
|-------------------------|---------------------|--------------------|------------|------------|------------|------------|------------|
|                         |                     | 70066<br>70107     | 70021      | 16-02-0077 | 16-02-0078 | 16-02-0079 | 16-02-0080 |
| 16-02-0092              | 16-02-0093          |                    |            | 16-02-0105 | 16-02-0106 | 16-02-0107 | 16-02-0108 |
| 16-02-0109              | 16-02-0110          |                    |            | 16-02-0111 | 16-02-0112 | 16-02-0113 | 16-02-0114 |
| 16-02-0115              | 16-02-0116          |                    |            | 16-02-0117 | 40-08-0871 | 40-08-0872 | 40-08-0873 |
| 40-08-0874              | 70021-0081          |                    |            | 70021-0114 | 70021-0117 | 70021-1020 | 70021-1021 |
| 70066<br>70450<br>74130 | 70058               | 16-60-0069         | 16-60-0074 | 16-60-0082 | 16-60-0083 | 16-60-0084 | 16-60-0085 |
|                         |                     | 16-60-0086         | 16-60-0087 | 16-60-0088 | 16-60-0096 | 16-60-0097 | 16-60-0098 |
|                         |                     | 16-60-0099         | 16-60-0100 | 16-60-0101 | 16-60-0102 | 16-60-0103 | 16-60-0104 |
|                         |                     | 16-60-0131         | 16-60-0137 | 16-60-0139 | 16-60-0140 | 16-60-0143 | 16-60-0144 |
|                         |                     | 16-60-0147         | 16-60-0150 | 16-60-0151 | 16-60-0152 | 70058-0069 | 70058-0082 |
|                         |                     | 70058-0083         | 70058-0084 | 70058-0086 | 70058-0087 | 70058-0088 | 70058-0096 |
|                         |                     | 70058-0097         | 70058-0099 | 70058-0102 | 70058-0103 | 70058-0104 | 70058-4069 |
|                         |                     | 70058-4084         | 70058-4086 | 70058-4096 | 70058-4099 | 70058-4102 | 70058-5001 |
| 70066<br>70450          | 71851               | 16-02-0119         | 16-02-1109 | 16-02-1110 | 16-02-1111 | 16-02-1112 | 16-02-1113 |
|                         |                     | 16-02-1114         | 16-02-1115 | 16-02-1116 | 16-02-1117 | 16-02-1118 | 16-02-1119 |
|                         |                     | 16-02-1120         | 16-02-1121 | 16-02-1122 | 16-02-1123 | 16-02-1124 | 16-02-1125 |
|                         |                     | 71851-0119         |            |            |            |            |            |

**Terminal Extraction:**

Individual terminals may be removed from the housing using this SL tool.

1. Push the terminal forward in the housing so that the locking tang is clearly visible. Using the tab labeled "M" on the SL tool, insert into the slot on the back of the housing and firmly depress the locking tang until the shoulder rests upon the housing.
2. Carefully pull the terminated wire out of the connector in the direction of the arrow in Figure 1.

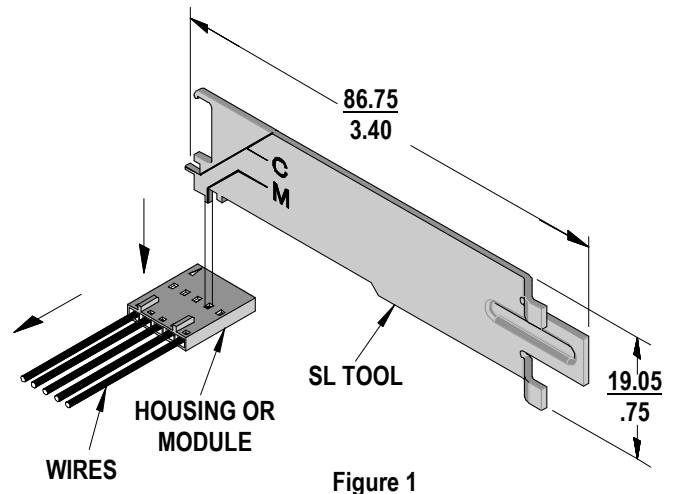
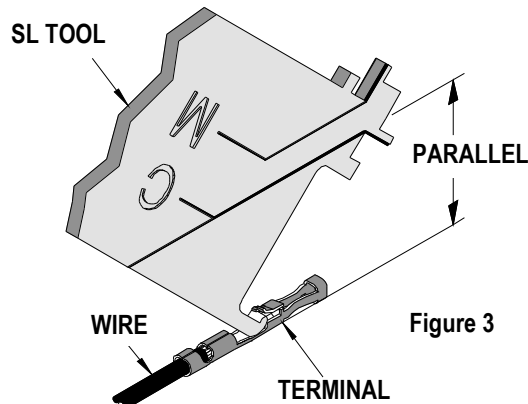
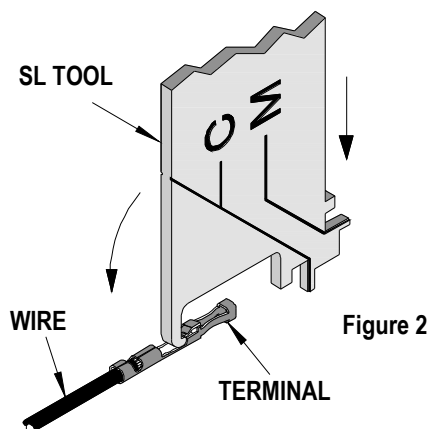


Figure 1

**Locking-Tang Reset:**

Once the terminated wire is extracted, the locking tang will need to be repositioned in order to obtain retention in the housing.

1. Insert the probe of the SL tool under the depressed locking tang as shown in Figure 2.
2. Gently pivot the SL tool towards the I.D. slots until the tang is bent up into original position and the scribe line is parallel to the body of the terminal see Figure 3.
3. Pull out the SL tool and the terminal now can be re-inserted into the housing.

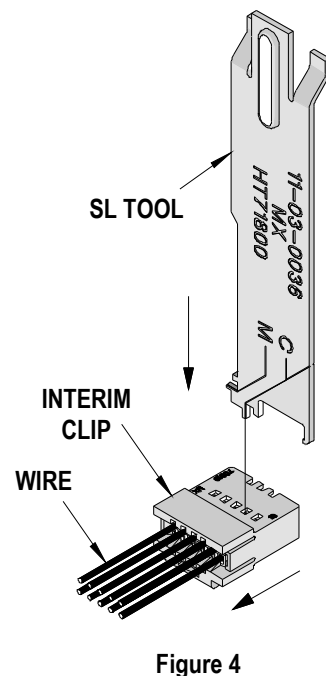


**Terminal Extraction From Interim Or Panel Mount Clip:**

Most of the interim clips have small slots either on the top or the bottom of the part depending on the size of the clip. Smaller clips less than 12 circuits have the slots on the bottom. (Figure 4 is oriented from the bottom.) If there are no slots for extraction, then housings must be removed from clip.

**To extract terminals:**

1. Push the terminal forward in the interim clip or module and the housing or so that the locking tang is clearly visible. Using the tab labeled "C" on the SL tool insert into the slot on the back of the clip. Firmly depress the locking tang.
2. Pull the terminated wire out in the direction of the arrow. See Figure 4.



**Housing Extraction:**

This operation is used to remove a housing from an interim clip or panel mount clip.

1. Slide the SL tool under the plastic tab on the clip or panel mount and lift up. Carefully open only far enough to extract the housing.
2. Pull the housing out in the direction of the arrow. See Figure 5 and 6.

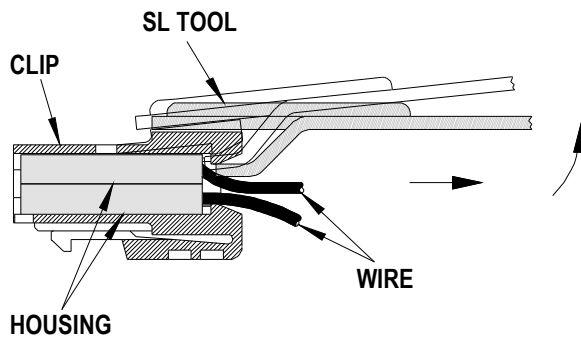


Figure 5  
CLIP INTERIM

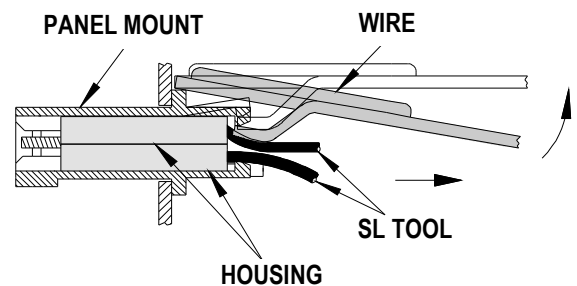


Figure 6  
PANEL MOUNT

Molex does not offer repair parts for Extractor Tools due to the inexpensive nature of these tools.

**CAUTION:** Molex specifications are valid only when used with Molex terminals and tooling.

Visit our Web site at <http://www.molex.com>