



MarTest. Test Indicators

The New Standard . . .

- Comprehensive product range with a wide selection of accessories
- Highly refined and precise mechanism
- Water-resistant dial face for use in the workshop
- Excellent quality at competitive prices



EXACTLY

The New Standard – MarTest

For many years Mahr has been one of the leading producers of test indicators. Our position in the market place has been achieved due to our unrelenting commitment to the quality of our product and our investment in the research and development of our product range.

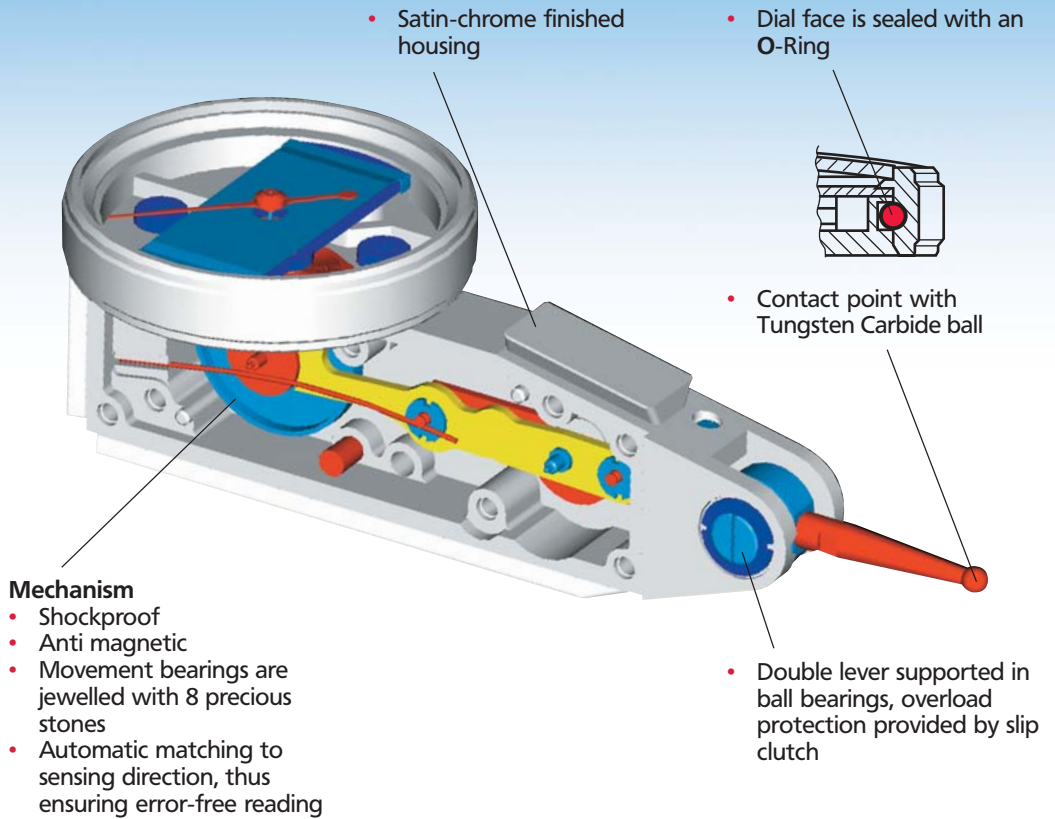
We are dedicated to producing high quality products that meet or exceed our customer's performance requirements.

- A complete product range and a wide range of accessories that offers the best solution for every measuring task
- With the computer aided design mechanism, you have the reassurance of accurate measurement results.
- The sealed unit making the working impervious to liquids, these indicators are ideal for use in a workshop environment.

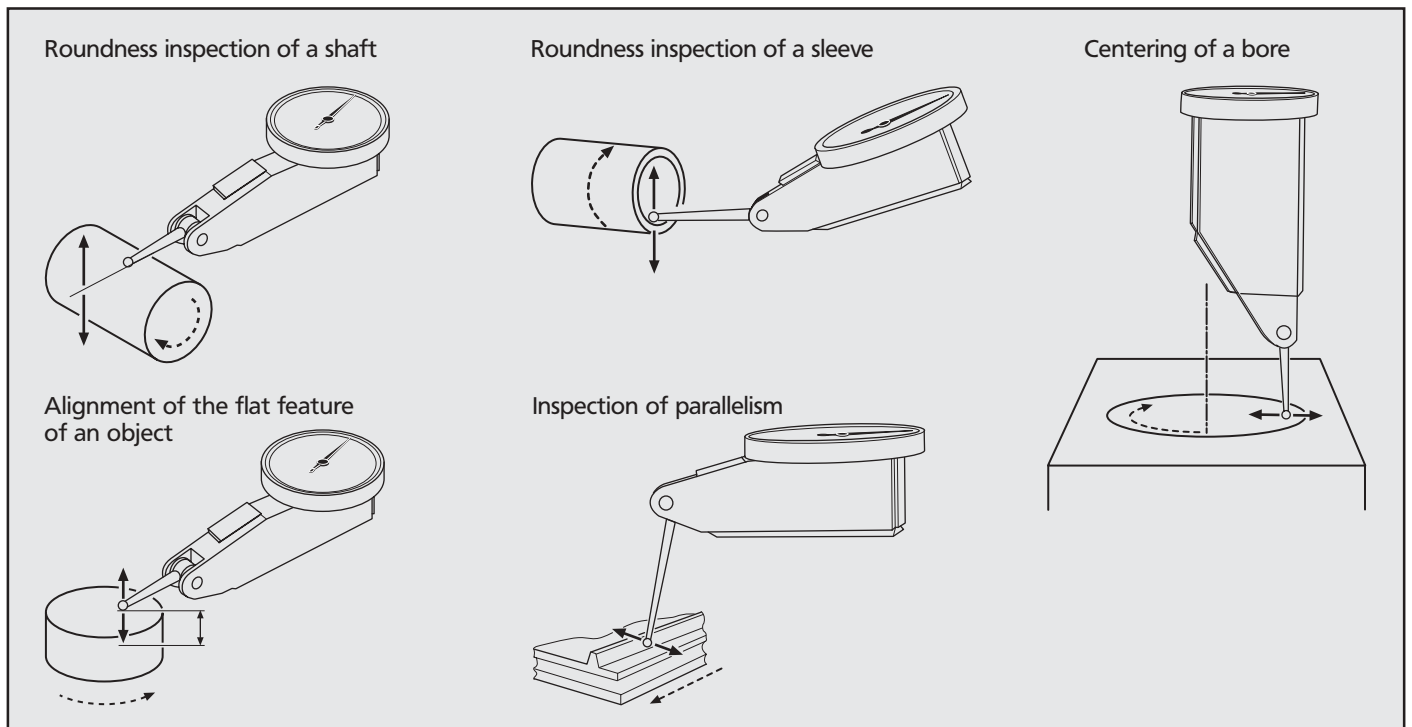
And all this for an excellent price / performance ratio

Standard accessories for the MarTest - Test Indicator include:

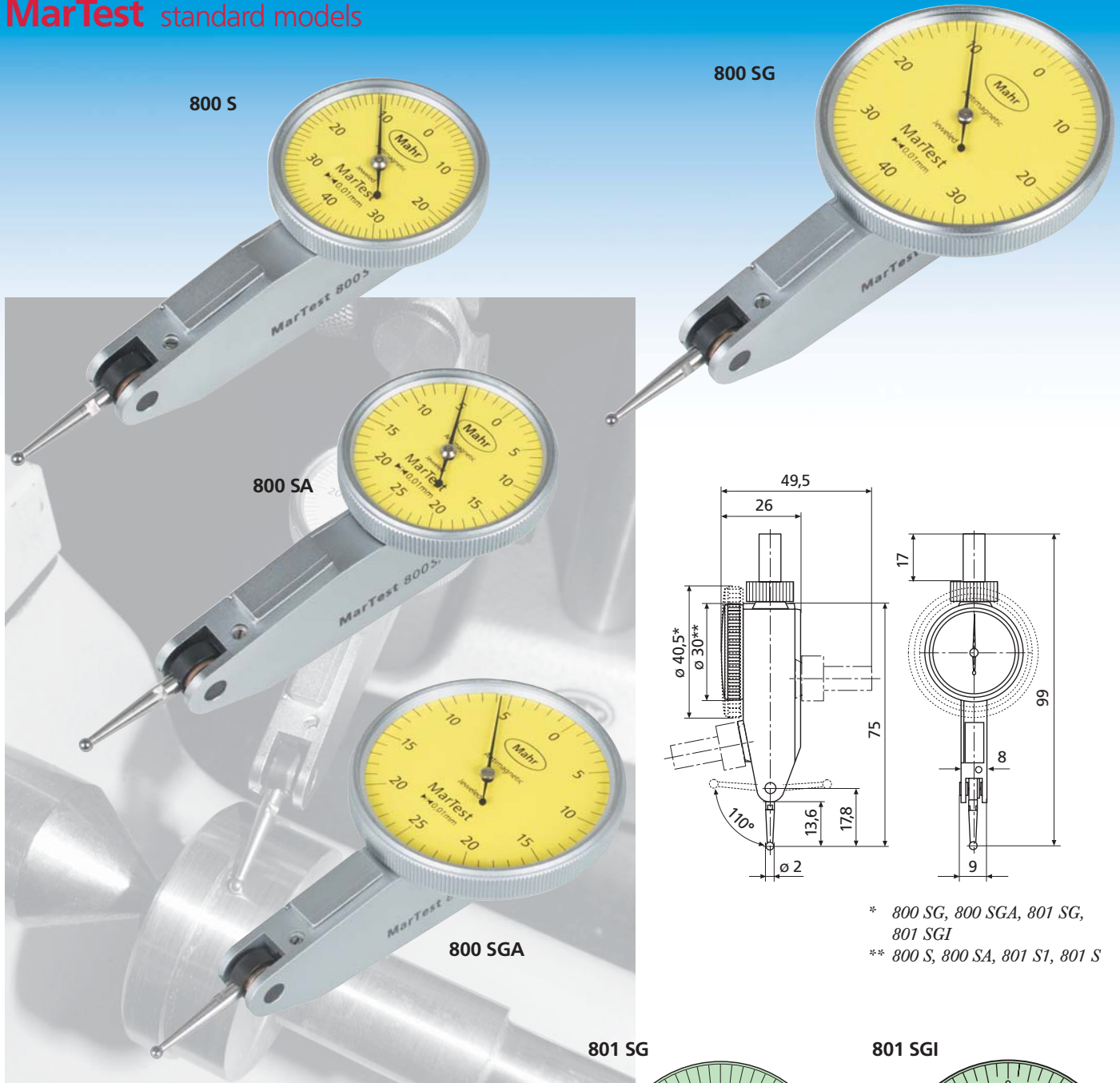
- Plastic storage case,
- Spanner for changing styluses
- Styli dia. 2 mm,
- Mounting shaft **800 a8** (for metric versions)
- Mounting shaft **800 a6** (800 SA, 800 SGA, 800 SGB)
- Mounting shaft **800 a3/8** (for inch versions)



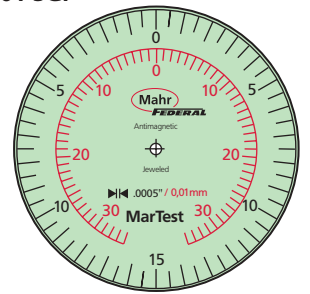
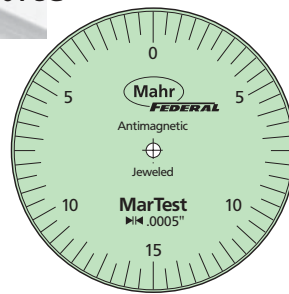
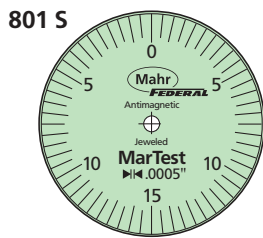
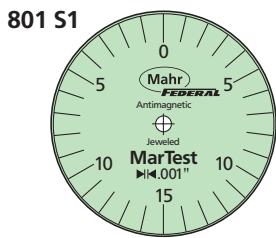
Application examples



MarTest standard models

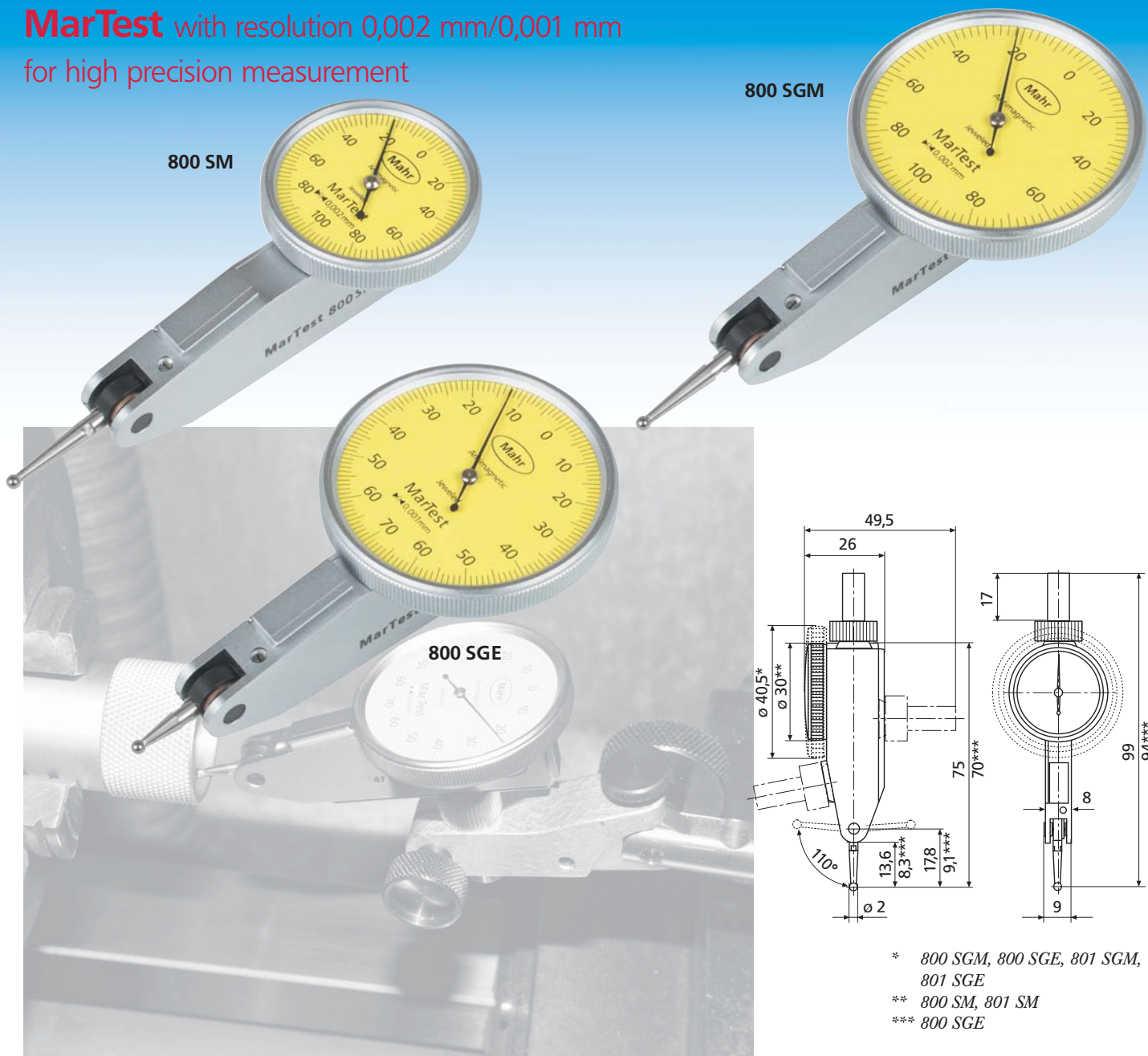


* 800 SG, 800 SGA, 801 SG, 801 SGI
 ** 800 S, 800 SA, 801 S1, 801 S

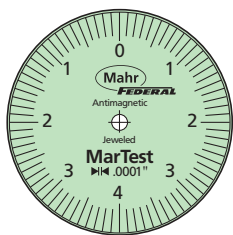


	Measuring range	Readings	Dial dia.	Swivel range of styluses	Measuring force	Accuracy		Order No.
						f_e	f_u	
800 S	$\pm 0,4$ mm	0,01 mm	27,5 mm	13,6 mm	0,15 N	10 μ m	3 μ m	4305200
800 SG	$\pm 0,4$ mm	0,01 mm	38 mm	13,6 mm	0,15 N	10 μ m	3 μ m	4307200
800 SA	$\pm 0,25$ mm	0,01 mm	27,5 mm	13,6 mm	0,1 N	5 μ m	3 μ m	4301200
800 SGA	$\pm 0,25$ mm	0,01 mm	38 mm	13,6 mm	0,1 N	5 μ m	3 μ m	4301250
801 S1	$\pm .015''$.001''	1.1''	.54''	0,15 N	.0004''	.00012''	4305960
801 S	$\pm .015''$.0005''	1.1''	.54''	0,15 N	.0004''	.00012''	4305950
801 SG	$\pm .015''$.0005''	1.5''	.54''	0,15 N	.0004''	.00012''	4307950
801 SGI	$\pm .015''$ ($\pm 0,3$ mm)	.0005'' (0,01 mm)	1.5''	.54''	0,15 N	.0004''	.00012''	4307970

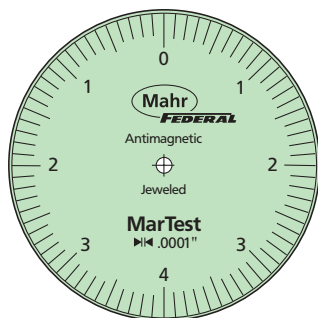
MarTest with resolution 0,002 mm/0,001 mm
for high precision measurement



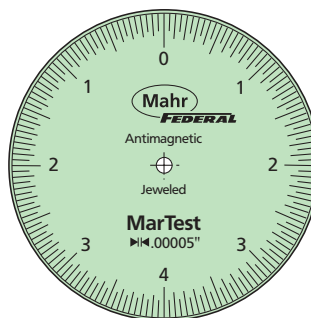
801 SM



801 SGM



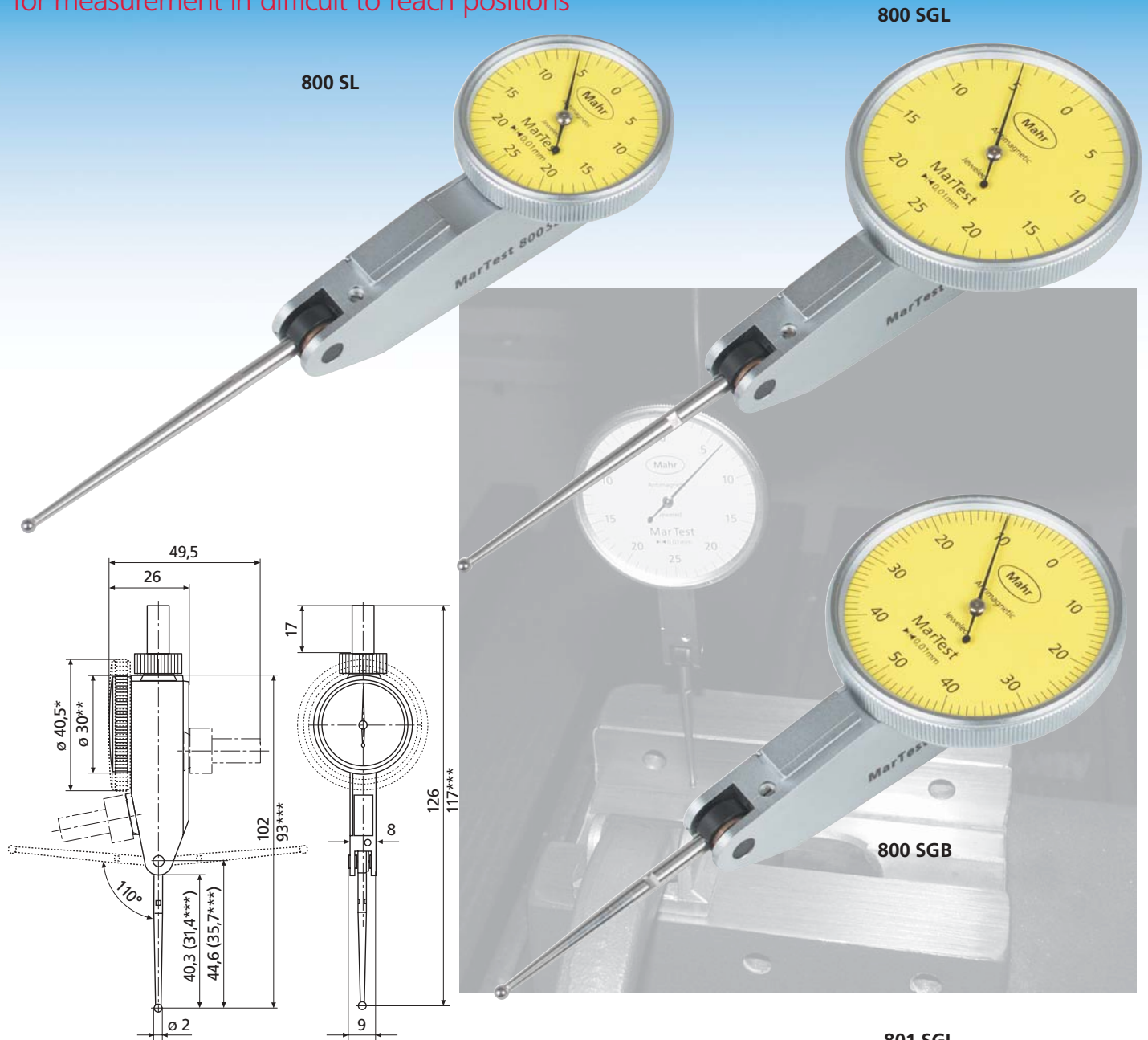
801 SGE



	Measuring range	Readings	Dial dia.	Swivel range of styluses	Measuring force	Accuracy		Order No.
						f_e	f_u	
800 SM	$\pm 0,1$ mm	0,002 mm	27,5 mm	13,6 mm	0,15 N	3 μ m	2 μ m	4308150
800 SGM	$\pm 0,1$ mm	0,002 mm	38 mm	13,6 mm	0,15 N	3 μ m	2 μ m	4308200
800 SGE	$\pm 0,07$ mm	0,001 mm	38 mm	8,3 mm	0,2 N	3 μ m	2 μ m	4308220
801 SM	$\pm .004$ "	.0001"	1.1"	.54"	0,15 N	.00012"	.00008"	4308960
801 SGM	$\pm .004$ "	.0001"	1.5"	.54"	0,15 N	.00012"	.00008"	4308970
801 SGE	$\pm .004$ "	.00005"	1.5"	.54"	0,15 N	.00012"	.00008"	4308985

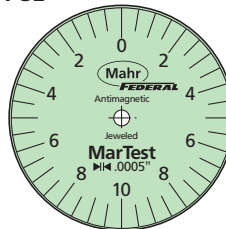
MarTest with extra long stylus

for measurement in difficult to reach positions

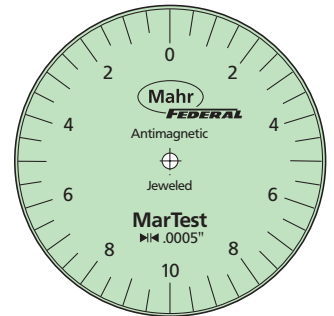


* 800 SGL, 801 SGL, 800 SGB
 ** 800 SL, 801 SL
 *** 800 SGB

801 SL

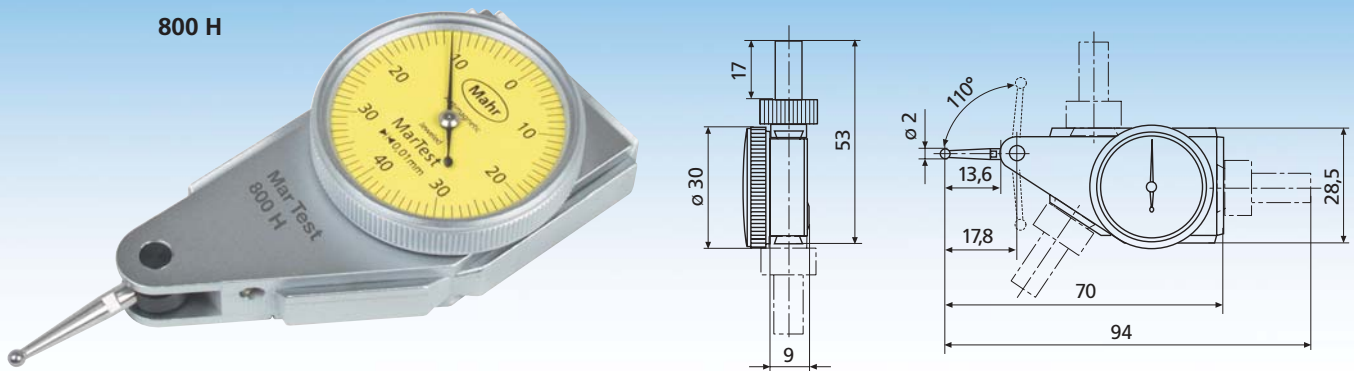


801 SGL



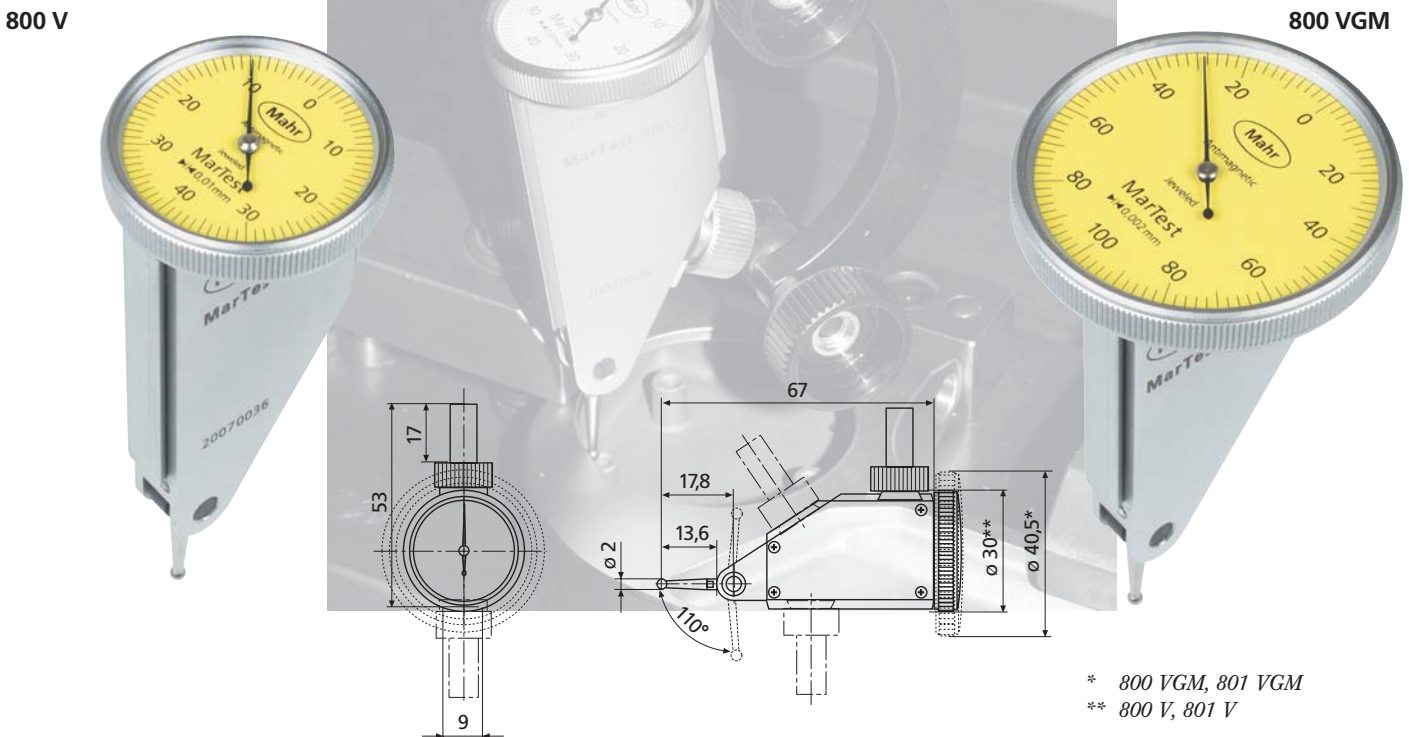
	Measuring range	Readings	Dial dia.	Swivel range of styluses	Measuring force	Accuracy		Order No.
						f_e	f_u	
800 SL	$\pm 0,25$ mm	0,01 mm	27,5 mm	40,3 mm	0,07 N	10 μ m	5 μ m	4306200
800 SGL	$\pm 0,25$ mm	0,01 mm	38 mm	40,3 mm	0,07 N	10 μ m	5 μ m	4306250
800 SGB	$\pm 0,5$ mm	0,01 mm	38 mm	31,4 mm	0,07 N	10 μ m	4 μ m	4301300
801 SL	$\pm .010''$.0005''	1.1''	1.59''	0,07 N	.0004''	.0002''	4306950
801 SGL	$\pm .010''$.0005''	1.5''	1.59''	0,07 N	.0004''	.0002''	4306960

MarTest 800 H stylus can be positioned horizontal to the dial face



	Measuring range	Readings	Dial dia.	Swivel range of styluses	Measuring force	Accuracy		Order No.
						f_e	f_u	
800 H	$\pm 0,4$ mm	0,01 mm	27,5 mm	13,6 mm	0,25 N	10 μ m	3 μ m	4303200
801 H	$\pm .015''$.0005''	1.1"	.54"	0,25 N	.0004"	.00012"	4303950

MarTest 800 V perpendicular model

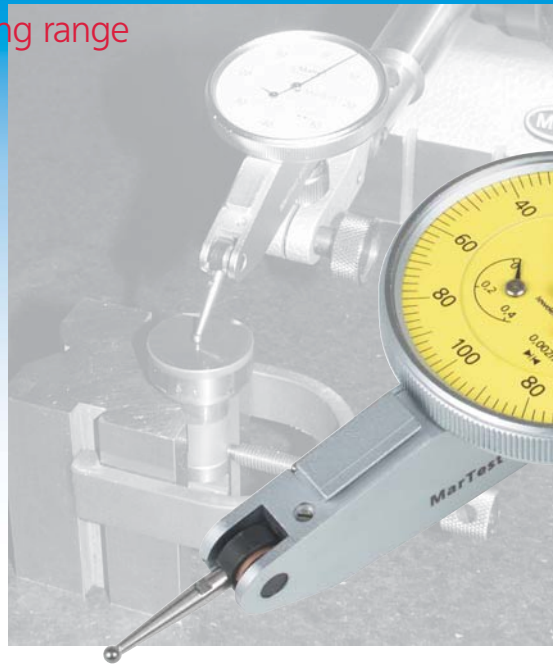
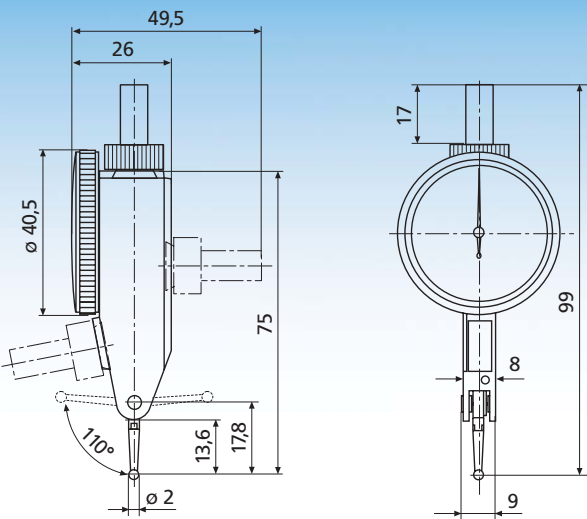


* 800 VGM, 801 VGM
** 800 V, 801 V

	Measuring range	Readings	Dial dia.	Swivel range of styluses	Measuring force	Accuracy		Order No.
						f_e	f_u	
800 V	$\pm 0,4$ mm	0,01 mm	27,5 mm	13,6 mm	0,2 N	10 μ m	3 μ m	4302200
800 VGM	$\pm 0,1$ mm	0,002 mm	38 mm	13,6 mm	0,25 N	3 μ m	2 μ m	4302250
801 V	$\pm .015''$.0005''	1.1"	.54"	0,2 N	.0004"	.00012"	4302950
801 VGM	$\pm .004''$.0001''	1.5"	.54"	0,25 N	.00012"	.00008"	4302960

MarTest 800 SR with large measuring range

800 SR/SRM



800 SRM

	Measuring range	Readings	Dial dia.	Swivel range of styluses	Measuring force	Accuracy		Order No.
						f_e	f_u	
800 SR	$\pm 0,8$ mm	0,01 mm	38 mm	13,6 mm	0,15 N	10 μ m	4 μ m	4307250
800 SRM	$\pm 0,2$ mm	0,002 mm	38 mm	13,6 mm	0,15 N	3 μ m	3 μ m	4308250
801 SR	$\pm .030''$.0005''	1.5''	.54''	0,15 N	.0004''	.00016''	4307960
801 SRM	$\pm .008''$.0001''	1.5''	.54''	0,15 N	.00012''	.00012''	4308980

Styli 800 t for MarTest, M2 connection thread

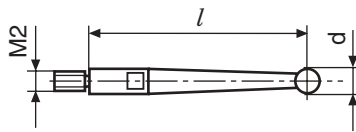
Styli with ruby ball



Styli with carbide ball



Spanner for changing styluses 4305868

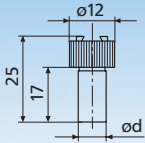


Types	Stylus length l	Styluses				Ruby ball	
		Carbide ball		Ruby ball			
		Cat.-Nr.	$\varnothing 1$ mm	$\varnothing 2$ mm	$\varnothing 3$ mm	Cat.-Nr.	$\varnothing 2$ mm
800 S/801 S1/801 S 800 SG/801 SG 800 SA 800 SGA 800 SM/801 SM 800 SGM/801 SGM 801 SGE 800 SR/801 SR 800 SRM/801 SRM 800 H/801 H 800 V/801 V 800 VGM/801 VGM	14,5 mm	800 ts	4305870	4305850	4305871	800 tsr	4309051
800 SGE							
800 SL/801 SL 800 SGL/801 SGL	41,2 mm	800 tl	4306851	4306850	4306853	800 tlr	4309053
800 SGB							

Holder Types and applications

Mounting shaft for dovetail

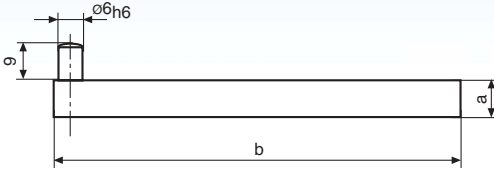
800 a



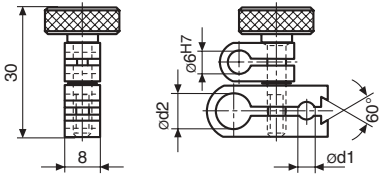
Mounting shaft	dia. d mm	Order No.
800 a8	8	4305865
800 a6	6	4301865
800 a4	4	4305885
800 a1/4"	1/4"	4305895
800 a3/8"	3/8"	4305875



Holder 800 h and Universal clamp 800 k



	Dimensions		Order No.
	a	b	
800 h1	9x9	100	4305888
800 h2	1/4" x 1/2"	4"	4305889

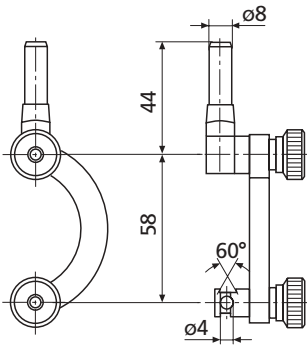


	Dimensions		Order No.
	dia. d1	dia. d2	
800 k8	4	8	4305891
800 k3/8	5/32"	3/8"	4305892

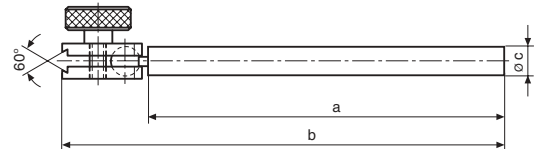


Universal Centering Support Frame 800 b

Order No. 4305893



Universal holder with dovetail clamp



	Dimensions			Order No.
	a	b	dia. c	
800 hs8	100	124	8	4305886
800 hs3/8"	4"	5"	3/8"	4305887

For further accessories for MarTest - Test Indicators please refer to our General Catalog „Dimensional Metrology-Hand Measuring Instruments“.

Our product range includes:

Calipers, micrometers, dial indicators, dial comparators, height measuring instruments, indicating measuring instruments for inside and outside dimensions, electronic length measuring instruments, calibration service (DKD)

We reserve the right to make changes to our products, especially due to technical improvements and further developments. All illustrations and technical data are therefore without guarantee.

© by Mahr GmbH, Esslingen



EXACTLY

Mahr GmbH Esslingen, Reutlinger Straße 48, 73728 Esslingen, Tel. +49-711-93 12-6 00, Fax +49-711-93 12-7 25, e-mail: info@mahr.de

12.2002 - 3756685
Printed in Germany