

# Low Voltage Consumer Units & Distribution Boards



**ABB**



# Consumer Units & Distribution Boards

## Contents

General .....	2/5
Consumer Units	
Comby .....	6
Protecta .....	7
Housemaster .....	7
Distribution Boards	
Mini Center .....	8
Protecta .....	9
Protecta Accessories .....	10
Mini Center / Protecta mounting and connection kits .....	11/12
Spare parts and general accessories .....	12
Dimensional / Layout Details .....	13/15

---

## Consumer Units & Distribution Boards

### General

---

The ABB range of sheet steel consumer units and distribution boards are designed for safety, reliability and availability in the electrical building installation. Complying to IEC 439 - 3, BS EN 60439 - 3

### Features

All ABB consumer units incorporate unique design features making installation, modification an easy operation and less time consuming.

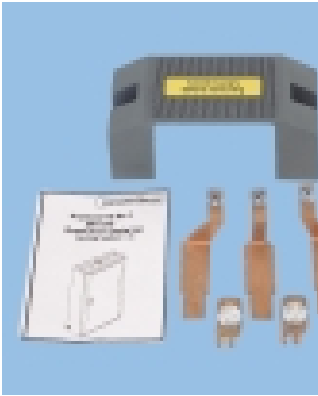


---

# Consumer Units & Distribution Boards

## General (continued)

---



### Connection options

The TP&N distribution boards accept a variety of incoming devices, isolator, miniature circuit breaker, residual current device or direct cable connection.

The incoming devices are connected to the busbar via various connection kits.

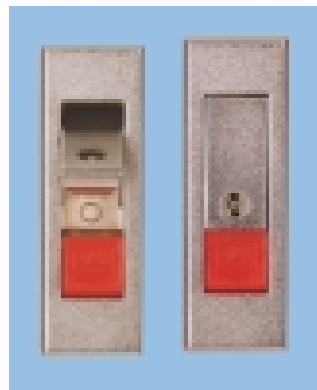


### Reversible door

Quick and easy to change the door from left hand hinge to right hand hinging



### External earth studs



### Robust spring loaded lockable door catch

# Consumer Units & Distribution Boards

## General (continued)

### Easy and Quick

Easy and quick removal or change of gland plates and fixing of top / bottom extension boxes.



Easy handling for the user,  
all screws Pozidrive 2.



---

## Consumer Units & Distribution Boards

### General (continued)

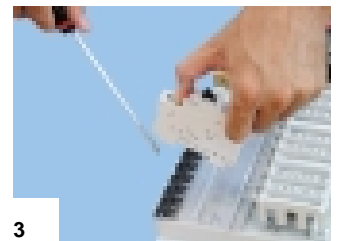
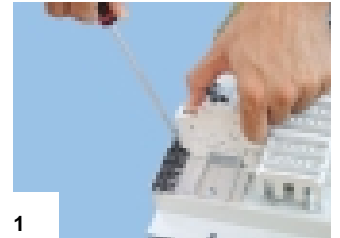
---

Easy removal of components with our unique aluminium components profile.

#### Fixing the MCB's



#### Removing the MCB's



# Consumer Units

## Comby range

### Application

Comby consumer units are designed to suit installations in domestic and commercial installations, easy to install, attractive and highly reliable. Fitted with either sheet steel flap or clear plastic flap for visual inspection of components. Complete with neutral and earth terminals and din rail.

### Technical Data

Standard : IEC 439-1 & BS 60439-1  
 Max. load : 100 amps  
 Max. voltage : 240 V ac, 50 Hz  
 Range : 7,10,16 and 20 modules  
 Degree of protection : IP 30  
 Enclosure material : Cold rolled sheet steel  
 Box and cover 1 mm (Aluzinc steel on request)  
 Enclosure finish : Gray, RAL 7035

### Plastic flap

#### For surface mounting

No. of Rows	No. of Modules	Dimensions H x W x D mm	Type Code	Ordering details Type No.	Weight kg
1	7	256 x 209 x 88	ECT 107 S	1SKB 107632 C 0001	2.5
1	10	256 x 263 x 88	ECT 110 S	1SKB 110632 C 0001	2.9
1	16	256 x 366 x 88	ECT 116 S	1SKB 116632 C 0001	3.8
1	20	256 x 440 x 88	ECT 120 S	1SKB 120632 C 0001	4.2

#### For flush mounting

No. of Rows	No. of Modules	Dimensions H x W x D mm	Type Code	Ordering details Type No.	Weight kg
1	7	276 x 229 x 88	ECT 107 F	1SKB 107932 C 0001	2.6
1	10	276 x 283 x 88	ECT 110 F	1SKB 110932 C 0001	3
1	16	276 x 386 x 88	ECT 116 F	1SKB 116932 C 0001	4
1	20	276 x 460 x 88	ECT 120 F	1SKB 120932 C 0001	4.5

### Steel flap

#### For surface mounting

No. of Rows	No. of Modules	Dimensions H x W x D mm	Type Code	Ordering details Type No.	Weight kg
1	7	256 x 209 x 110	ECS 107 DS	1SKB 107632 C 0002	2.7
1	10	256 x 263 x 110	ECS 110 DS	1SKB 110632 C 0002	3.2
1	16	256 x 366 x 110	ECS 116 DS	1SKB 116632 C 0002	4.1
1	20	256 x 440 x 110	ECS 120 DS	1SKB 120632 C 0002	4.5

#### For flush mounting

No. of Rows	No. of Modules	Dimensions H x W x D mm	Type Code	Ordering details Type No.	Weight kg
1	7	276 x 229 x 110	ECS 107 DF	1SKB 107932 C 0002	2.8
1	10	276 x 283 x 110	ECS 110 DF	1SKB 110932 C 0002	3.4
1	16	276 x 386 x 110	ECS 116 DF	1SKB 116932 C 0002	4.4
1	20	276 x 460 x 110	ECS 120 DF	1SKB 120932 C 0002	4.8

# Consumer Units (continued)

## Protecta range



### Application

Protecta consumer units are designed to suit installations in commercial and industrial installations, easy to install and highly reliable. Fitted with sheet steel flap for visual inspection of components. Complete with neutral and earth terminals and unique aluminium component fixing rail. Surface mounting only, (flush on request).

### Technical Data

Standard : IEC 439-1 & BS 60439-1  
 Max. load : 100 amps  
 Max. voltage : 240 V ac, 50 Hz  
 Range : 4,7,10,16 and 20 SP & N ways  
 Degree of protection : IP 30  
 Enclosure material : Cold rolled sheet steel  
 Box and cover 1 mm  
 (Aluzinc steel on request)  
 Enclosure finish : Gray, RAL 7035

No. of Rows	No. of Modules	Dimensions H x W x D mm	Type Code	Ordering details Type No.	Weight kg
1	6	256 x 155 x 110	<b>ECS 104</b>	<b>ISKB 106142 C 0001</b>	2.00
1	9	256 x 210 x 110	<b>ECS 107</b>	<b>ISKB 109142 C 0001</b>	2.70
1	12	256 x 263 x 110	<b>ECS 110</b>	<b>ISKB 112142 C 0001</b>	3.20
1	18	256 x 368 x 110	<b>ECS 116</b>	<b>ISKB 118142 C 0001</b>	4.10
1	22	256 x 440 x 110	<b>ECS 120</b>	<b>ISKB 122142 C 0001</b>	4.50

## Housemaster range



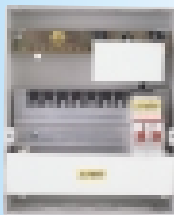
### Application

Housemaster consumer units are designed to suit installations in commercial and industrial installations, easy to install and highly reliable. Fitted with sheet steel flap for visual inspection of components. Complete with neutral and earth terminals, L shaped comb busbar, busbar cover and unique aluminium component fixing rail. Unit comes complete with incoming devices. Surface mounting only, (flush on request).

### Technical Data

Standard : IEC 439-1 & BS 60439-1  
 Max. load : 100 amps  
 Max. voltage : 240 V ac, 50 Hz  
 Range : 4,7,10,16 and 20 SP & N ways  
 Split load, 4+4, 6+6, 8+8  
 Degree of protection : IP 30  
 Enclosure material : Cold rolled sheet steel  
 Box and cover 1 mm  
 (Aluzinc steel on request)  
 Enclosure finish : Gray, RAL 7035

## Isolator (E272/100A) Incomer



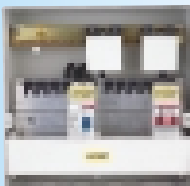
No. of ways	No. of Modules	Dimensions H x W x D mm	Type Code	Ordering details Type No.	Weight kg
4	6	256 x 155 x 110	<b>HSMS 04</b>	<b>ISKB 106142 C 1001</b>	2.00
7	9	256 x 210 x 110	<b>HSMS 07</b>	<b>ISKB 109142 C 1001</b>	2.70
10	12	256 x 263 x 110	<b>HSMS 10</b>	<b>ISKB 112142 C 1001</b>	3.00
16	18	256 x 368 x 110	<b>HSMS 16</b>	<b>ISKB 118142 C 1001</b>	3.60
20	22	256 x 440 x 110	<b>HSMS 20</b>	<b>ISKB 122142 C 1001</b>	4.10

## RCCB (F662/100/0.03A) Incomer

No. of ways	No. of Modules	Dimensions H x W x D mm	Type Code	Ordering details Type No.	Weight kg
4	6	256 x 155 x 110	<b>HSRC 04</b>	<b>ISKB 106142 C 3001</b>	2.00
7	9	256 x 210 x 110	<b>HSRC 07</b>	<b>ISKB 109142 C 3001</b>	2.70
10	12	256 x 263 x 110	<b>HSRC 10</b>	<b>ISKB 112142 C 3001</b>	3.00
16	18	256 x 368 x 110	<b>HSRC 16</b>	<b>ISKB 118142 C 3001</b>	3.60
20	22	256 x 440 x 110	<b>HSRC 20</b>	<b>ISKB 122142 C 3001</b>	4.10

## Split load (E272/100A+F662/80/0.03A) Incomer

No. of ways	No. of Modules	Dimensions H x W x D mm	Type Code	Ordering details Type No.	Weight kg
10	12	256 x 263 x 110	<b>HSSL 4+4</b>	<b>ISKB 112142 C 9001</b>	3.00
16	18	256 x 368 x 110	<b>HSSL 6+6</b>	<b>ISKB 118142 C 9001</b>	3.60
20	22	256 x 440 x 110	<b>HSSL 8+8</b>	<b>ISKB 122142 C 9001</b>	4.10





# Distribution Boards

## Mini Center

### Mini Center range



#### Application

Mini Center distribution boards, a design aimed for safety, reliability and availability in the electrical building installation.  
Available in busbar and multi row types.  
Flush mounting only, (surface on request).

#### Technical Data

**Standard** : IEC 439- 3 & BS 60439 part 1 & 3  
**Multi row type**  
 Max. load : 100 amps  
 Max. voltage : 240 / 415 V ac, 50 / 60 Hz  
 Range : 20, 32, 48, 64 and 80 modules  
           1, 2, 3, 4 and 5 rows  
**Busbar type**  
 Max. load : 250 amps  
 Max. voltage : 240 / 415 V ac, 50 / 60 Hz  
 Range : 4, 6, 8, 12 and 16 TP&N ways  
           12, 18, 24, 36 and 48 SP&N ways  
 Degree of protection : IP 41, pan assemblies IP 20  
 Enclosure material : Cold rolled sheet steel  
                           Box and cover 1 mm  
                           (Aluzinc steel on request)  
 Enclosure finish : Gray, RAL 7035

### Multi Row Type A Distribution Boards

No. of Rows	No. of Modules	Dimensions H x W x D mm	Type Code	Ordering details Type No.	Weight kg
1	20	320 x 420 x 117	<b>EMC 120 RXF</b>	<b>1SKM 120242 C 0001</b>	6.1
2	32	540 x 420 x 117	<b>EMC 232 RXF</b>	<b>1SKM 232242 C 0001</b>	10.2
3	48	690 x 420 x 117	<b>EMC 348 RXF</b>	<b>1SKM 348242 C 0001</b>	13.2
4	64	794 x 420 x 117	<b>EMC 464 RXF</b>	<b>1SKM 464242 C 0001</b>	15.1
5	80	960 x 420 x 117	<b>EMC 580 RXF</b>	<b>1SKM 580242 C 0001</b>	17.9

### TP + N Busbar Type Distribution Boards

No. of ways	Dimensions H x W x D mm	Type Code	Ordering details Type No.	Weight kg
4	540 x 420 x 117	<b>EMC 312 F</b>	<b>1SKM 904242 C0011</b>	9.5
6	601 x 420 x 117	<b>EMC 318 F</b>	<b>1SKM 906242 C0011</b>	10.2
8	690 x 420 x 117	<b>EMC 324 F</b>	<b>1SKM 908242 C 0011</b>	11.9
12	794 x 420 x 117	<b>EMC 336 F</b>	<b>1SKM 912242 C 0011</b>	13.2
16	898 x 420 x 117	<b>EMC 348 F</b>	<b>1SKM 916242 C 0011</b>	16.15

### Mini Center accessories

#### Top/Bottom extension boxes Range for flush mounting

Size	Dimensions H x W x D mm	Type Code	Ordering details Type No.	Weight kg
1	220 x 420 x 117	<b>EMC 200 EXB F</b>	<b>1SKA 252242 C 0001</b>	3.7
2	420 x 420 x 117	<b>EMC 400 EXB F</b>	<b>1SKA 253242 C 0001</b>	5.6

# Distribution Boards

## Protecta

### Protecta range



#### Application

Protecta distribution boards, a design aimed for safety, reliability and availability in the electrical building installation.  
Available in busbar and multi row types.  
Surface mounting only, (flush on request).

#### Technical Data

Standard : IEC 439- 3 & BS 60439 part 1 & 3  
**Multi row type**  
 Max. load : 100 amps  
 Max. voltage : 240 / 415 V ac, 50 / 60 Hz  
 Range : 16, 32, 48, 64 and 80 modules  
 1, 2, 3, 4 and 5 rows  
**Busbar type**  
 Max. load : 250 amps  
 Max. voltage : 240 / 415 V ac, 50 / 60 Hz  
 Range : 4, 6, 8, 12, 16, 20 and 24 TP&N ways  
 12, 18, 24, 36, 48, 60 and 72 SP&N ways  
 Degree of protection : IP 41 pan assemblies IP 20  
 Enclosure material : Cold rolled sheet steel  
 Box and cover 1 mm  
 (Aluzinc steel on request)  
 Enclosure finish : Gray, RAL 7035

#### Multi Row Type A Distribution Boards

No. of Rows	No. of Modules	Dimensions H x W x D mm	Type Code	Ordering details Type No.	Weight kg
1	16	280 x 400 x 125	EPA 01	1SKP 116142 C 0001	6.1
2	32	502 x 400 x 125	EPA 02	1SKP 232142 C 0001	10.2
3	48	610 x 400 x 125	EPA 03	1SKP 348142 C 0001	13.2
4	64	718 x 400 x 125	EPA 04	1SKP 464142 C 0001	15.1
5	80	1001 x 400 x 125	EPA 05	1SKP 580142 C 0001	17.5

#### TP + N Busbar Type Distribution Boards

No. of Ways	Dimensions H x W x D mm	Type Code	Ordering details Type No.	Weight kg
4	502 x 400 x 125	EPB 304	1SKP 904142 C0001	10.2
6	560 x 400 x 125	EPB 306	1SKP 906142 C0001	11.3
8	610 x 400 x 125	EPB 308	1SKP 908142 C0001	12.6
12	718 x 400 x 125	EPB 312	1SKP 912142 C0001	14.4
16	830 x 400 x 125	EPB 316	1SKP 916142 C0001	17.1
20	1001 x 400 x 125	EPB 320	1SKP 920142 C0001	20.1
24	1140 x 400 x 125	EPB 324	1SKP 924142 C0001	23.5

#### TP + N Pan Assemblies

No. of Ways	Dimensions H x W x D mm	Type Code	Ordering details Type No.	Weight kg
4	400 x 300 x 90	EPB 304 PA	1SKP 904100 C 0001	3.5
6	452 x 300 x 90	EPB 306 PA	1SKP 906100 C 0001	4.3
8	505 x 300 x 90	EPB 308 PA	1SKP 908100 C 0001	5.1
12	613 x 300 x 90	EPB 312 PA	1SKP 912100 C 0001	6.4
16	720 x 300 x 90	EPB 316 PA	1SKP 916100 C 0001	8.2
20	895 x 300 x 90	EPB 320 PA	1SKP 920100 C 0001	10.2
24	1033 x 300 x 90	EPB 324 PA	1SKP 924100 C 0001	12

# Distribution Boards

## Protecta

### Accessories

#### Accessories for distribution boards

No.	Accessory type	Type Code	Ordering details Type No.	Weight kg
1	Flange plate blank	EPB GP1	ISKA 130002C0001	0.3
2	Flange plate with knock-outs	EPB GP2	ISKA 131002C0001	0.3
3	Cylinder lock with keys	EPB CL	ISKA 132002C0001	0.2

#### Side extension boxes

No. of Modules	No. of Rows	Sided with TP+N DB's	Dimensions H x W x D mm	Type Code	Ordering details Type No.	Weight kg
32	2	4 way	502 x 400 x 125	EPB SEB2R04W	ISKA 102142 C 0001	10.2
32	2	6 way	560 x 400 x 125	EPB SEB2R06W	ISKA 112142 C 0001	11.3
48	3	8 way	610 x 400 x 125	EPB SEB3R08W	ISKA 103142 C 0001	13.5
64	4	12 way	718 x 400 x 125	EPB SEB4R12W	ISKA 104142 C 0001	15.1
64	4	16 way	830 x 400 x 125	EPB SEB4R16W	ISKA 114142 C 0001	17.1
80	5	20 way	1001 x 400 x 125	EPB SEB5R20W	ISKA 105142 C 0001	20.1

#### Top extension boxes

Type	Dimensions H x W x D mm	Type Code	Ordering details Type No.	Weight kg
Sheet steel flap / 1Row	200 x 400 x 125	EPB TEB 200S	1SKA 122142 C 0001	3.5
Sheet steel flap / 2Row	400 x 400 x 125	EPB TEB 400S	1SKA 124142 C 0001	5.9
Plastic flap	200 x 400 x 125	EPB TEB 200P	1SKA 125142 C 0001	3.5

#### Top / bottom extension boxes

Type	Dimensions H x W x D mm	Type Code	Ordering details Type No.	Weight kg
Plain cover	200 x 400 x 125	EPB TEB 200C	1SKA 121142 C 0001	3.5
Plain cover	400 x 400 x 125	EPB TEB 400C	1SKA 123142 C 0001	5.4



# Distribution boards

## Mini Center / Protecta

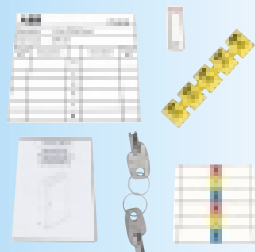
### Mounting and connection kits

The TP + N Busbar type distribution boards are delivered as standard with the appropriate isolator incoming kit to suit the board configuration.

#### Isolator Incoming kit (Spare part only)

##### Kit contains:

- Covers for unused connection busbar points
  - 1 Strip For 4, 6 ways
  - 2 Strip For 8, 12 ways
  - 3 Strip For 16, 20 ways
  - 4 Strip For 24 ways
- Labels for outgoing circuits on door, trim cover and bus bar cover.
- Vertical ON / OFF label.
- Keys for door lock.
- Instruction manual.

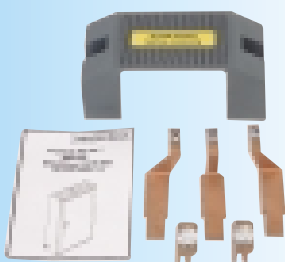


Kit No.	No. of ways	Incoming Device	Type Code	Ordering details Type No.	Weight kg
0	4	3 pole isolator E273/100A or 3 pole S283 MCB.	EPB KIT 0-1	1SKA 140000 C 0002	0.035
	6		EPB KIT 0-2	1SKA 140000 C 0003	0.035
	8		EPB KIT 0-3	1SKA 140000 C 0004	0.04
	12		EPB KIT 0-4	1SKA 140000 C 0005	0.04
	16		EPB KIT 0-5	1SKA 140000 C 0006	0.04
	20		EPB KIT 0-6	1SKA 140000 C 0007	0.04
	24		EPB KIT 0-7	1SKA 140000 C 0008	0.045

#### MCCB Incoming kit

##### Kit contains:

- Copper connector pieces for L1, L2, L3 complete with screws and washers
- Connector pieces with screws and washers.
- Blanking plates for 3 modules.
- 2 large cable lugs for N, PE terminals with screws, nuts and washers.
- Terminal cover with screws and washers.
- ON / Off labels.
- Instruction manual.



Kit No.	Incoming Device	Type Code	Ordering details Type No.	Weight kg
1	T max T1	EPB KIT 1-T1	1SKA 141000 C 0001	0.25
	T max T2	EPB KIT 1-T2	1SKA 141000 C 0002	0.25
	T max T3	EPB KIT 1-T3	1SKA 141000 C 0003	0.30

#### RCCB Incoming kit

##### Kit contains:

- Copper connector pieces for L1, L2, L3 complete with screws and washers
- Vertical ON / Off labels.
- Blanking plates for 3 modules.
- Terminal cover complete with screws, washers and warning label.
- Neutral wire link (solid black 6 mm<sup>2</sup> complete with shrinkable tube)
- Instruction manual.



Kit No.	Incoming Device	Type Code	Ordering details Type No.	Weight kg
2	4 pole RCCB F series	EPB KIT 2	1SKA 142000 C 0001	0.12

#### Direct cable connection kit (70 mm)

##### Kit contains:

- Copper connector pieces for L1, L2, L3 complete with screws and washers
- U shaped shroud plastic shutter.
- Terminal cover with screws and washers.
- Instruction manual.

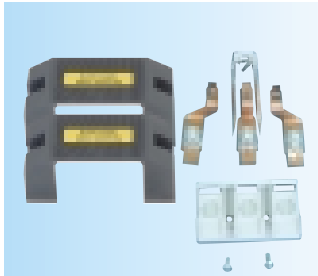


Kit No.	Incoming Device	Type Code	Ordering details Type No.	Weight kg
4	70 mm direct	EPB KIT 4	1SKA 144000 C 0001	0.19

# Distribution boards

## Mini Center / Protecta

### Mounting and connection kits (continued)



#### Direct cable connection kit (120 mm)

##### Kit contains:

- Copper connector pieces for L1, L2, L3 complete with screws and washers
- U shaped shroud plastic shutter.
- 3 ph. copper connector pieces insulator.
- Two terminal covers complete with screws, washers and warning label.
- Instruction manual.

Kit No.	Incoming Device	Type Code	Ordering details Type No.	Weight kg
3	120 mm direct	EPB KIT 3	1SKA 143000 C 0001	0.41



#### Single phase conversion kit

##### Kit contains:

- Copper connector pieces for L1, L2, L3 complete with screws, nuts and washers.
- Vertical ON/Off labels.
- Blanking plates.
- Terminal cover complete with screws, washers and warning label.
- Neutral wire link (solid black 6 mm<sup>2</sup> complete with shrinkable tube).
- Instruction manual.

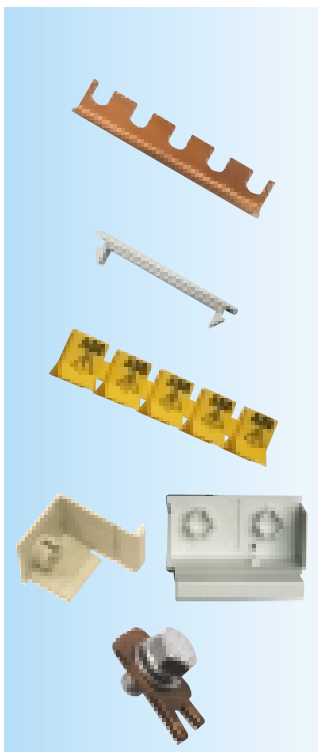
Kit No.	Type Code	Ordering details Type No.	Weight kg
6	EPB KIT 6	1SKA 146000 C 0001	0.16



#### Joining kit

Used to mount two Protecta distribution boards, side by side or Protecta distribution board with side extension box. Kit includes gasket, joining bolts 5x20 mm complete with washers and nuts. One kit is used for all distribution board configurations.

Kit No.	Type Code	Ordering details Type No.	Weight kg
5	EPB KIT 5	1SKA 145000 C 0001	0.06



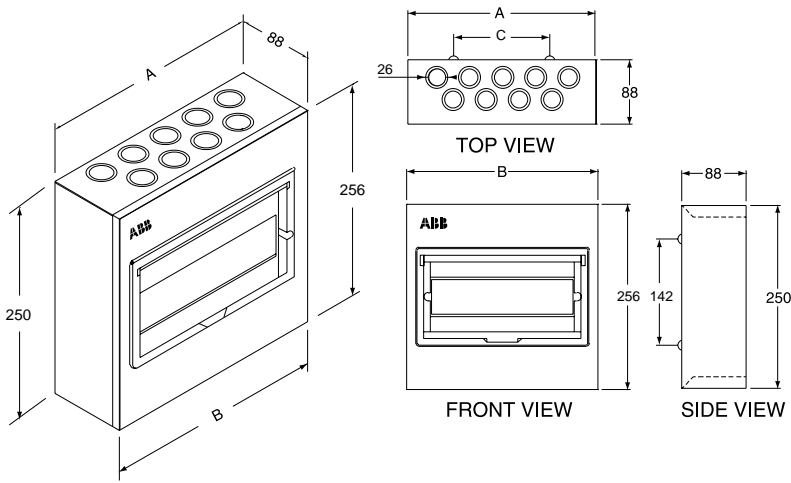
#### Spare parts and general accessories

Description	Type Code	Ordering details Type No.	Weight kg
L shaped copper comb busbar, used in all consumer units supplied in one meter length.	LSCB - 1000	1SKB 034701 P 0100	0.22
Blanking plates used to cover unused MCB ways in the consumer units and distribution boards front cover supplied in a strip of 12 modules.	BD - 12	1SKB 016605 P 0012	0.29
Busbar terminal cover used to cover unused outgoing busbar terminals supplied in a strip of 5 pieces.	SZ - BSK5	GHV 0360505 R 0001	0.027
Terminal shroud for use with E272 / 242, 2 pole isolator, MCBs S2 2 pole and RCCBs F3 2 pole up to 63 Amp. (supplied in pack of 5 pieces).	SZ - TS 1	GHF 6606607 P 0006	0.125
Terminal shroud for use with RCCBs F6 2 pole, 80 and 100 Amp (with sealing hole). (supplied in pack of 5 pieces).	SZ - TS 2	GHF 6606607 P 0005	0.125
Copper connection terminal for connecting incoming cable to neutral or earth terminal bars.	NPE - CT	1SKB 014701 P 0001	0.25

# Consumer Units & Distribution Boards

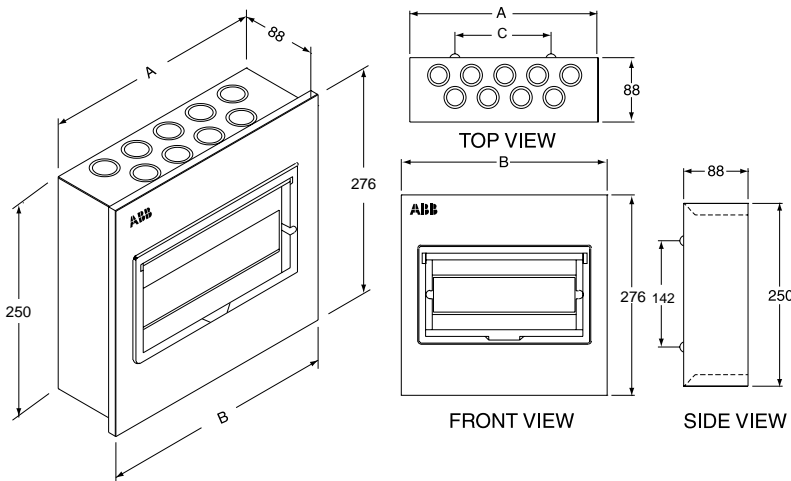
## Dimensional / Layout Details

### Comby plastic flap consumer unit surface mounted



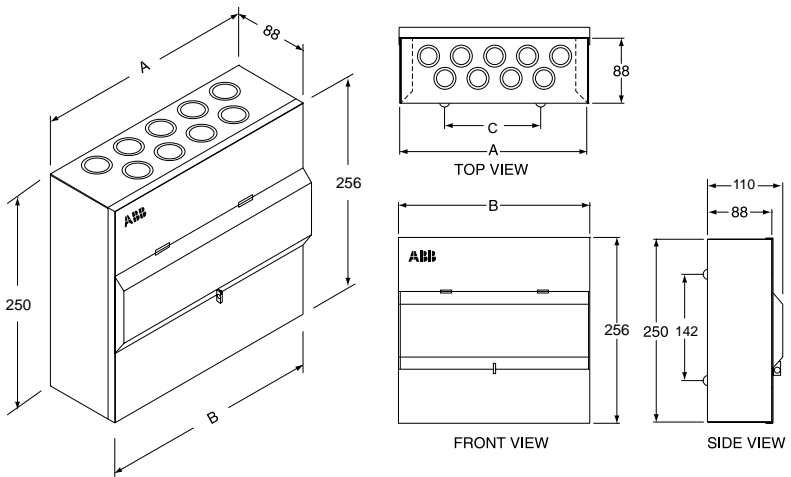
Type Code	No. of Modules	A (mm)	B (mm)	C (mm)
ECT 107 S	7	203	209	133
ECT 110 S	10	257	263	187
ECT 116 S	16	262	366	292
ECT 120 S	20	434	440	366

### Comby plastic flap consumer unit flush mounted



Type Code	No. of Modules	A (mm)	B (mm)	C (mm)
ECT 107 F	7	203	229	133
ECT 110 F	10	257	283	187
ECT 116 F	16	262	386	292
ECT 120 F	20	434	460	366

### Comby steel flap consumer unit surface mounted

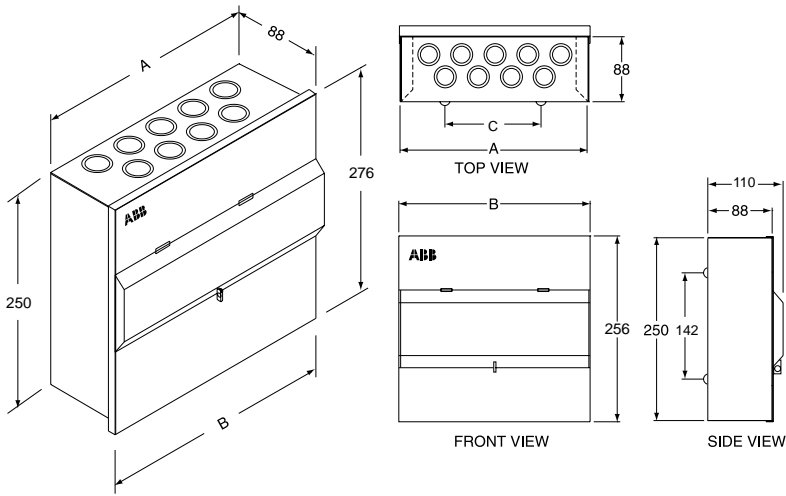


Type Code	No. of Modules	A (mm)	B (mm)	C (mm)
ECS 107 DS	7	203	209	133
ECS 110 DS	10	257	263	187
ECS 116 DS	16	262	366	292
ECS 120 DS	20	434	440	366

# Consumer Units & Distribution Boards

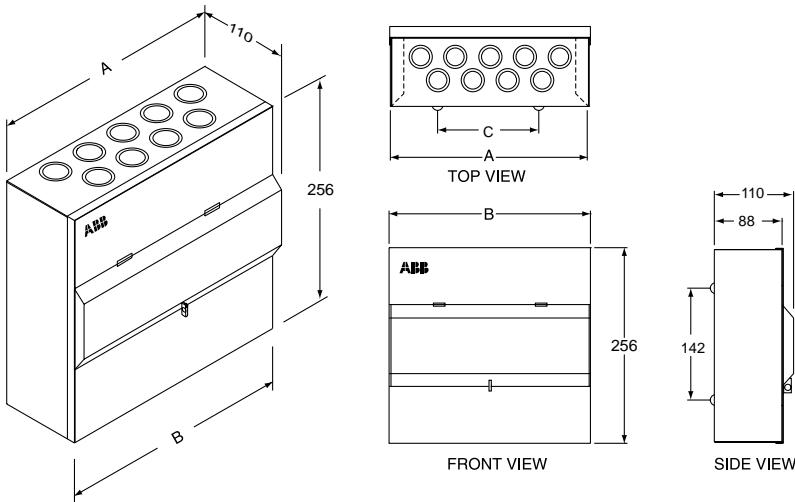
## Dimensional / Layout Details (continued)

### Comby steel flap consumer unit flush mounted



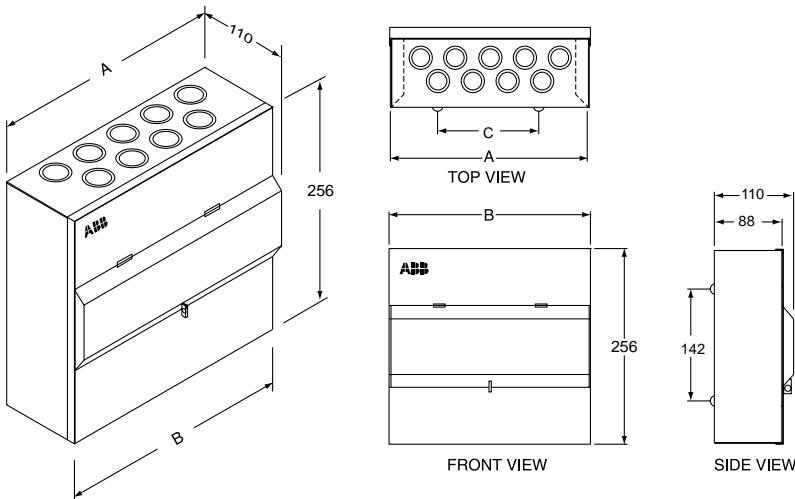
Type Code	No. of Modules	A (mm)	B (mm)	C (mm)
ECS 107 DF	7	203	229	133
ECS 110 DF	10	257	283	187
ECS 116 DF	16	262	386	292
ECS 120 DF	20	434	460	366

### Protecta consumer unit surface mounted



Type Code	No. of Modules	A (mm)	B (mm)	C (mm)
ECS 104	6	152	155	77
ECS 107	9	207	210	133
ECS 110	12	257	263	187
ECS 116	18	365	368	292
ECS 120	22	437	440	360

### Housemaster consumer unit surface mounted

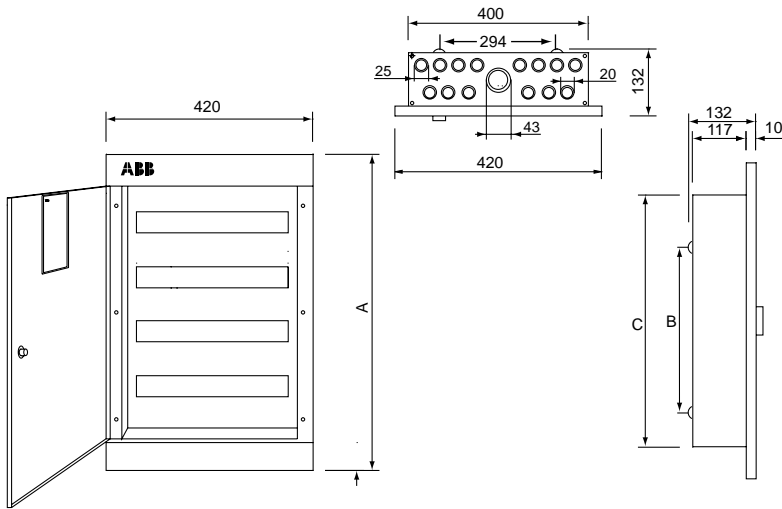


Type Code	No. of Modules	A (mm)	B (mm)	C (mm)
HSMS 04	6	152	155	77
HSRC 04				
HSMS 07	9	207	210	133
HSRC 07				
HSMS 10	12	257	263	187
HSRC 10				
HSSL 4+4				
HSMS 16	18	365	368	292
HSRC 16				
HSSL 6+6				
HSMS 20	22	437	440	360
HSRC 20				
HSSL 8+8				

# Consumer Units & Distribution Boards

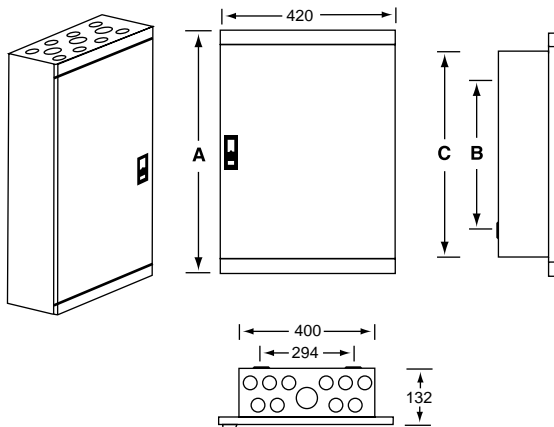
## Dimensional / Layout Details (continued)

### Minicenter multi row distribution boards



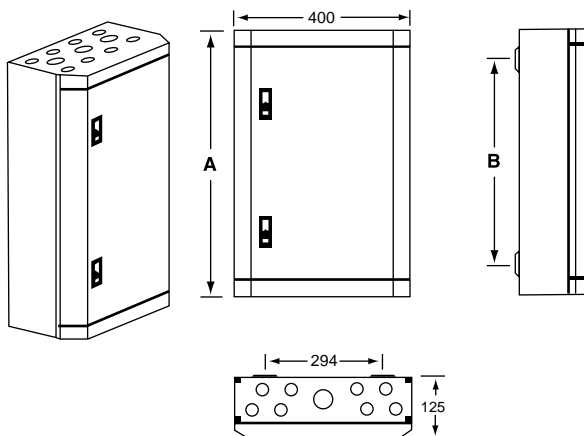
Type Code	No. of Modules	A (mm)	B (mm)	C (mm)
EMC 120 RXF	20	320	94	278
EMC 232 RXF	32	540	312	496
EMC 348 RXF	48	690	462	646
EMC 464 RXF	64	794	566	750
EMC 580 RXF	80	960	736	918

### Minicenter busbar type distribution boards



Type Code	No. of Modules	A (mm)	B (mm)	C (mm)
EMC 312 F	4	540	312	492
EMC 318 F	6	701	372	659
EMC 324 F	8	690	462	648
EMC 336 F	12	794	566	752
EMC 348 F	16	898	670	856

### Protecta busbar type distribution boards



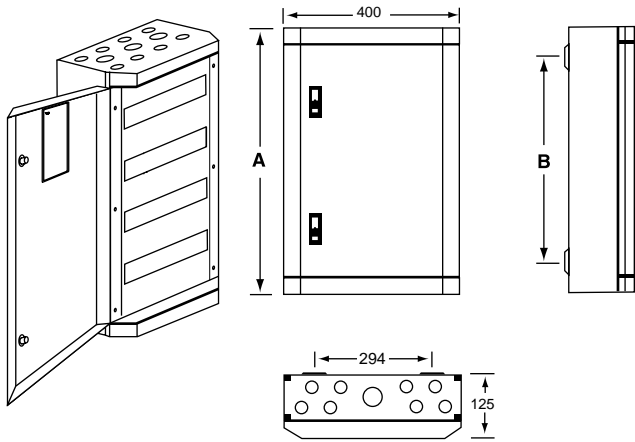
Type Code	No. of Ways	A (mm)	B (mm)
EPB 304	4	502	332.5
EPB 306	6	556	386.5
EPB 308	8	610	438.5
EPB 312	12	718	546.5
EPB 316	16	826	654.5
EPB 320	20	1001	829.5
EPB 324	24	1141	969.5



# Consumer Units & Distribution Boards

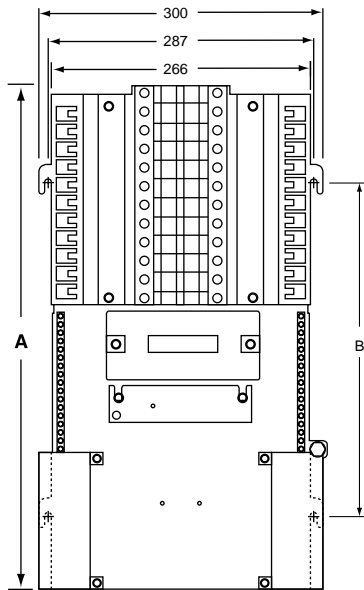
## Dimensional / Layout Details (continued)

### Protecta multi row distribution boards



Type Code	No. of Ways	A (mm)	B (mm)
EPA 01	16	280	94
EPA 02	32	502	332.5
EPA 03	48	610	438.5
EPA 04	64	718	546.5
EPA 05	80	1001	829.5

### Protecta Pan Assemblies



Type Code	No. of Ways	A (mm)	B (mm)
EPB 304 PA	4	400	202
EPB 306 PA	6	452	256
EPB 308 PA	8	505	310
EPB 312 PA	12	613	418
EPB 316 PA	16	720	526
EPB 320 PA	20	895	701
EPB 324 PA	24	1033	841

Depth 90 mm.



**ABB Low Voltage Products.**

7 Dr. Mohamed Kamel Hussein St.,  
El Nozha El Gedeida, Heliopolis. Cairo, Egypt.

Tel.: + 202 2968001

Sales Tel.: + 202 2990421 - 2931361 - 2931363

2931365 - 2931430 - 2931431 - 2931443

Fax: + 202 2999711

[www.abb.com/lowvoltage](http://www.abb.com/lowvoltage)

As part of its on-going product improvement, ABB reserves the right to modify the characteristics or the products described in this document. The information given is not-contractual. For further details please contact the ABB company marketing these products in your country.