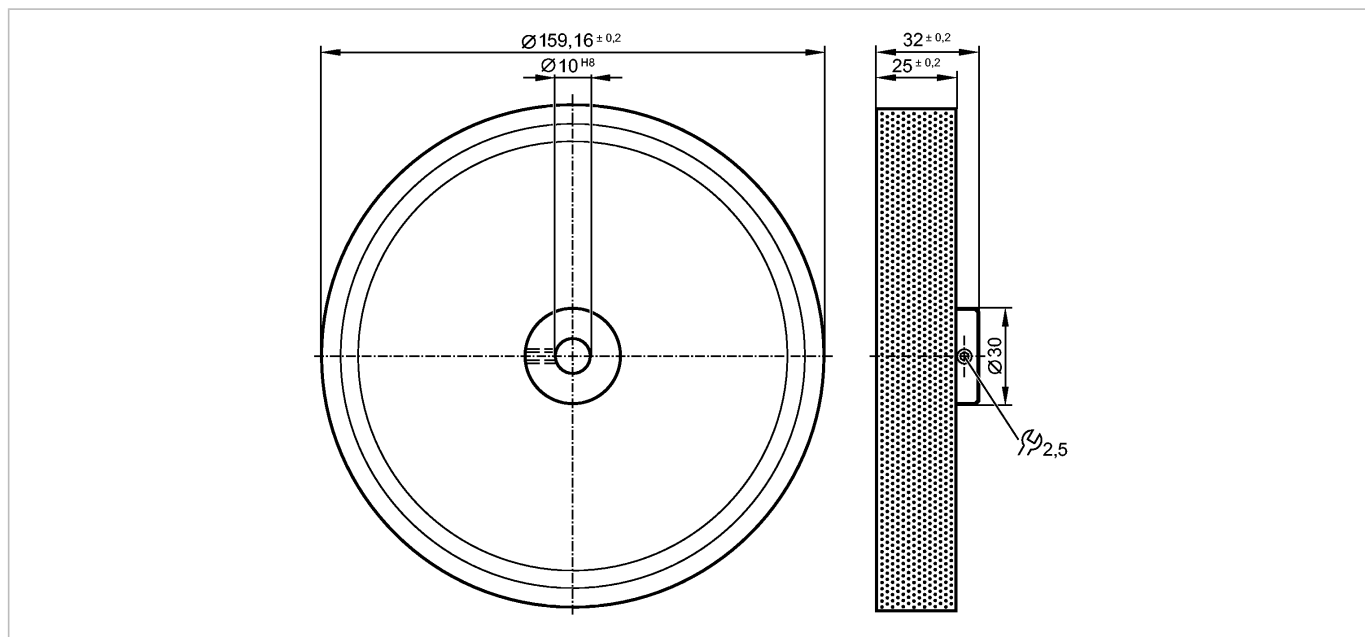


E60076

MEASURING WHEEL U:500 N:10

Accessories



Made in Germany

Product characteristics

Measuring wheel

$\varnothing 159.16$ mm / $\varnothing 10$ mm

Environment

Ambient temperature [°C] -30...80

Mechanical data

Design rubber

Surface hardness $55^\circ \pm 5^\circ$ Shore A

Housing materials wheel: aluminium; tread: PU (polyurethane)

Tightening torque [Nm] 3 (Screw)

Weight [kg] 0.269

Remarks

Pack quantity [piece] 1

Other data

Circumference [mm] 500

D Shaft diameter [mm] 10

B Width [mm] 25 ± 0.2

A Total width [mm] 32 ± 0.2