

Professionally approved products. Datasheet

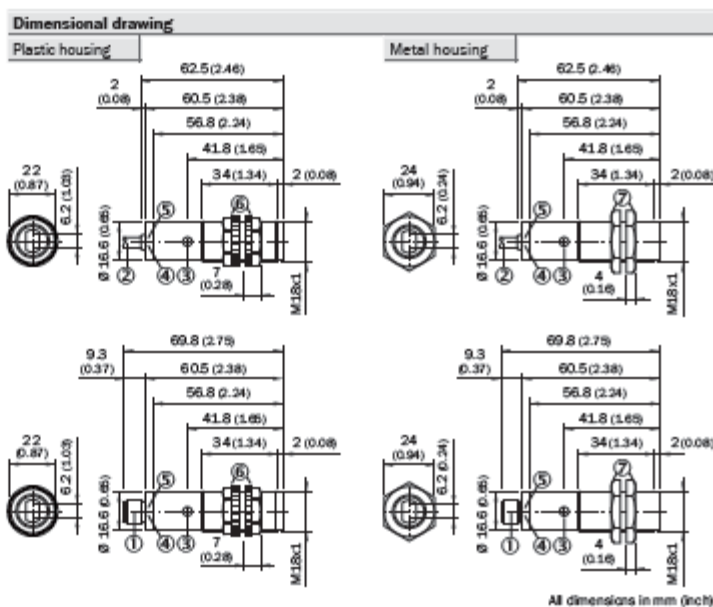
1 → 140 mm LED, Red Light Barrel Cable NPN Background Suppression Photoelectric Sensor, IP67

RS Stock number 729-5094

VTF180-2 Photoelectric proximity sensor, background blanking BGB, red light, scanning distance 140 mm



- Photoelectric proximity sensors with focussed optics and background blanking (BGB)
- Red light as alignment aid
- Adjustable sensitivity
- LED indicator: switching output active and operation reserve
- Material optionally made of plastic or metal



Adjustments

All types



- M12 plug, 4-pin
- Connector cable 2 m
- Sensitivity control 270°
- Orange LED indicator: switching output active
- Green LED indicator, stability indicator:
 - LED lights continuously: light reception < 0.9 / > 1.1
 - LED off: light reception > 0.9 ... < 1.1
- Plastic housing, mounting nuts (2x); SW22, PC
- Metal housing, mounting nuts (2x); SW24

