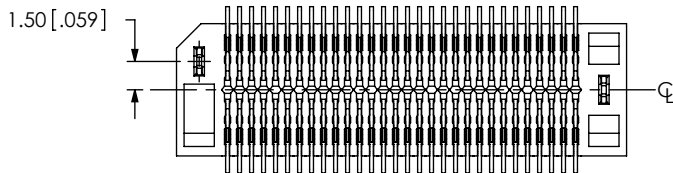
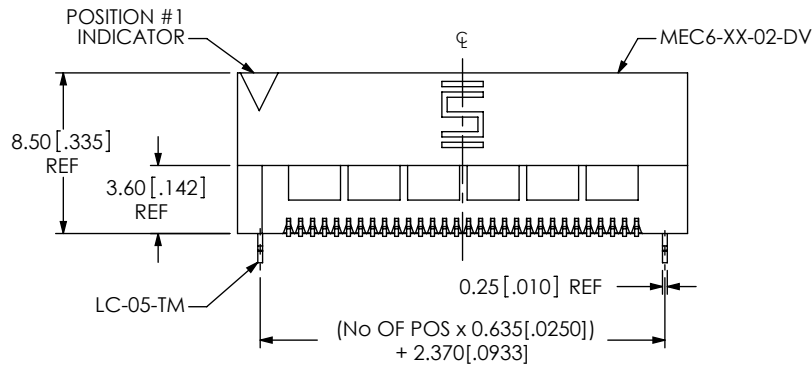
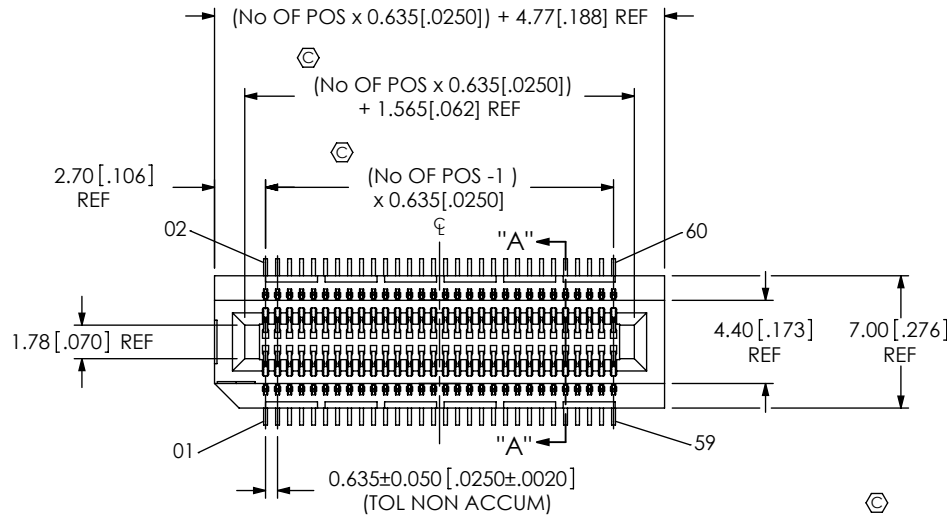


**DESIGNED & DIMENSIONED  
IN MILLIMETERS  
(INCHES FOR REFERENCE ONLY)**



**MEC6-1XX-02-X-DV-XX**

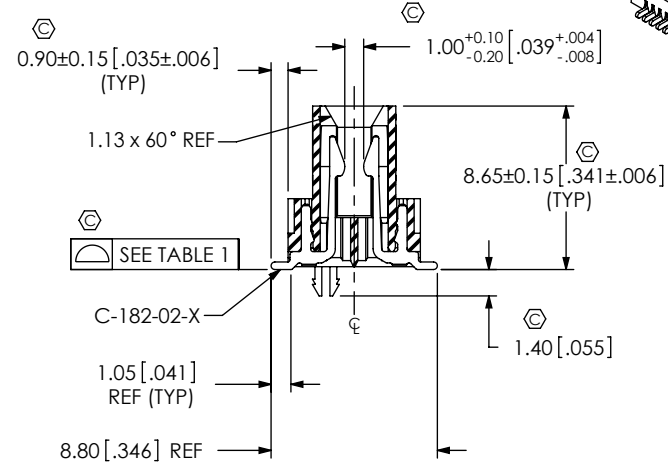
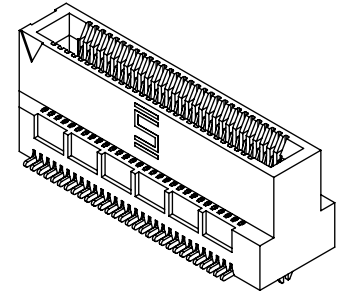
**No OF POSITIONS**  
-10, -20, -30, -40, -50, -60, -70

**CARD THICKNESS**  
-02: 1.57mm [.062] THICK CARD

**PLATING SPECIFICATION**  
-L: LIGHT SELECTIVE GOLD/MATTE TIN (USE C-182-02-L)  
-S: SELECTIVE GOLD/MATTE TIN (USE C-182-02-S)

**OPTION**  
-A: ALIGNMENT PINS (SEE FIG. 3) (USE MEC6-XX-XX-DV-A)  
-LC: LOCKING CLIP (USE LC-05-TM)  
-K: POLYIMIDE FILM PAD (USE K-DOT-.217-.313-.005)(SEE FIG. 4)  
-TR: TAPE & REEL

**ROW SPECIFICATION**  
-DV: DUAL VERTICAL (USE MEC6-XX-XX-DV)



SECTION "A"-"A"

TABLE 1	
No OF POS	COPLANARITY
-10 THRU -50	0.102 [.0040]
-60 & -70	0.152 [.0060]

**FIG 1**  
-LC OPTION SHOWN  
MEC6-130-02-X-DV-LC SHOWN  
(FOR POSITIONS -10, -20, -30 & -40)

NOTES:

1. Ⓢ REPRESENTS A CRITICAL DIMENSION.
2. MAXIMUM BURR ALLOWANCE: 0.038[.0015].
3. MINIMUM PUSHOUT FORCE: 2.22 N [.5 LB].
4. PARTS TO BE PACKAGED IN TRAYS, UNLESS -TR OPTION IS SPECIFIED.

UNLESS OTHERWISE SPECIFIED, DIMENSIONS ARE IN MILLIMETERS. TOLERANCES ARE:  
DECIMALS ANGLES  
.X: ± 0.3 [.01] 2°  
.XX: ± 0.13 [.005]  
.XXX: ± 0.051 [.0020]

**PROPRIETARY NOTE**  
THIS DOCUMENT CONTAINS INFORMATION CONFIDENTIAL AND PROPRIETARY TO SAMTEC, INC. AND SHALL NOT BE REPRODUCED OR TRANSFERRED TO OTHER DOCUMENTS OR DISCLOSED TO OTHERS OR USED FOR ANY PURPOSE OTHER THAN THAT WHICH IT WAS OBTAINED WITHOUT THE EXPRESSED WRITTEN CONSENT OF SAMTEC, INC.



520 PARK EAST BLVD, NEW ALBANY, IN 47150  
PHONE: 812-944-6733 FAX: 812-948-5047  
e-Mail: info@SAMTEC.com code: 55322

**MATERIAL:** DO NOT SCALE DRAWING  
INSULATOR: LCP, COLOR: BLACK  
CONTACT: PHOS BRONZE

SHEET SCALE: 1:0.4

DESCRIPTION:  
.635mm VERTICAL MOUNT MINI-EDGE CARD ASSEMBLY

DWG. NO.  
**MEC6-1XX-02-X-DV-XX**

BY: DEAN P 05/17/2005 SHEET 1 OF 2

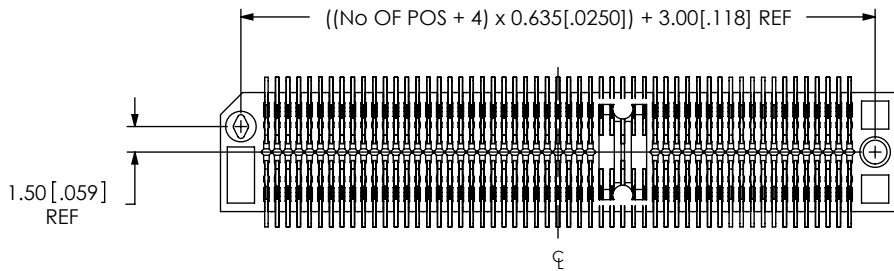
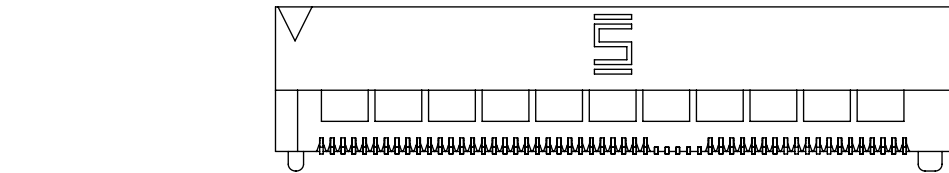
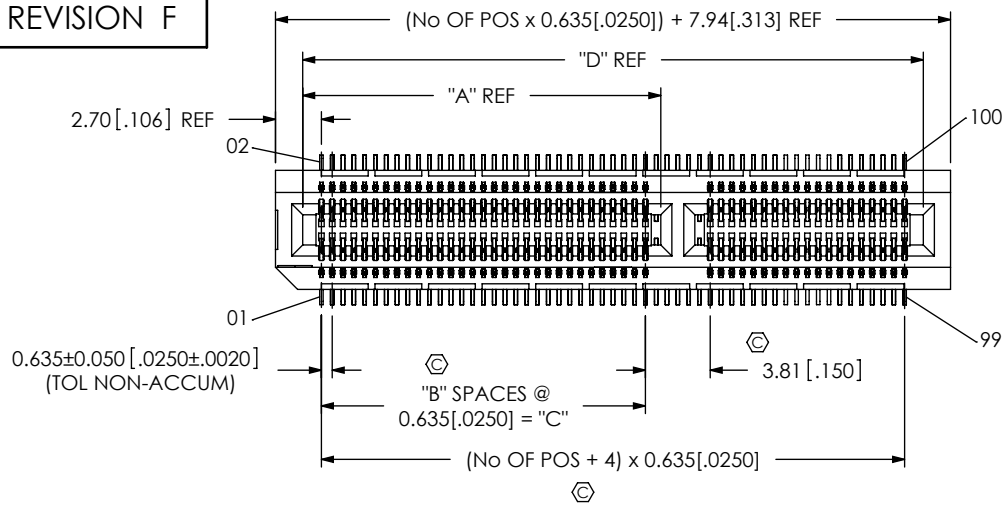


FIG 2

MEC6-150-02-X-DV-A SHOWN FOR POSITIONS -50 THRU 70 (SAME AS FIG 1, UNLESS OTHERWISE STATED)

No OF POS	"A" REF	"B"	"C"	"D" REF
-50	21.055[.8289]	30	19.050[.7500]	36.490[1.4366]
-60	24.865[.9789]	36	22.860[.9000]	42.840[1.6866]
-70	28.675[1.1289]	42	26.670[1.0500]	49.190[1.9366]

FIG 3

-A OPTION

MEC6-140-02-X-DV-A SHOWN (FOR POSITIONS -10, -20, -30 & -40)

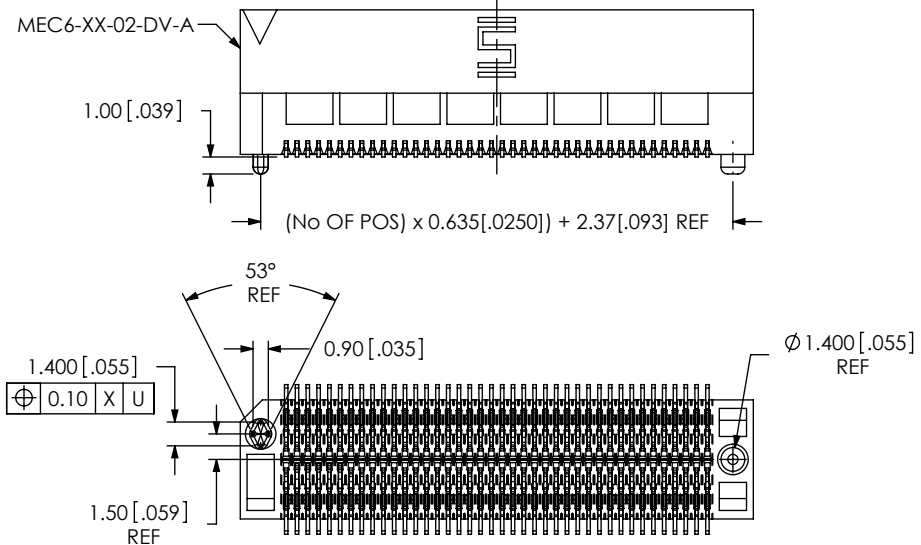
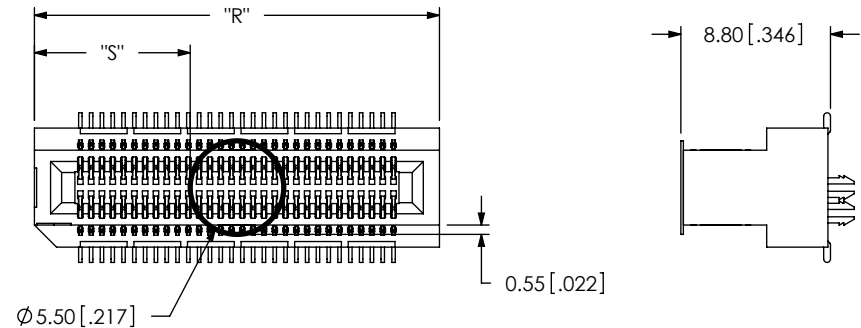


FIG 4

-K OPTION (USE K-DOT-.217-.313-.005)



No OF POS	"R"	"S"
-10 THRU -40	(No OF POS x 0.635[.0250]) + 4.77[.188] REF	(( "R" - 5.50[.217] ) / 2) +/- 0.51[.020]
-50 THRU -70	(No OF POS x 0.635[.0250]) + 7.94[.313] REF	

PROPRIETARY NOTE

THIS DOCUMENT CONTAINS INFORMATION CONFIDENTIAL AND PROPRIETARY TO SAMTEC, INC. AND SHALL NOT BE REPRODUCED OR TRANSFERRED TO OTHER DOCUMENTS OR DISCLOSED TO OTHERS OR USED FOR ANY PURPOSE OTHER THAN THAT WHICH IT WAS OBTAINED WITHOUT THE EXPRESSED WRITTEN CONSENT OF SAMTEC, INC.

DO NOT SCALE DRAWING

SHEET SCALE: 1:0.444444

**samtec**

520 PARK EAST BLVD, NEW ALBANY, IN 47150  
PHONE: 812-944-6733 FAX: 812-948-5047  
e-Mail: info@SAMTEC.com code: 55322

DESCRIPTION:  
.635mm VERTICAL MOUNT MINI-EDGE CARD ASSEMBLY

DWG. NO.  
**MEC6-1XX-02-X-DV-XX**

BY: DEAN P 05/17/2005 SHEET 2 OF 2