

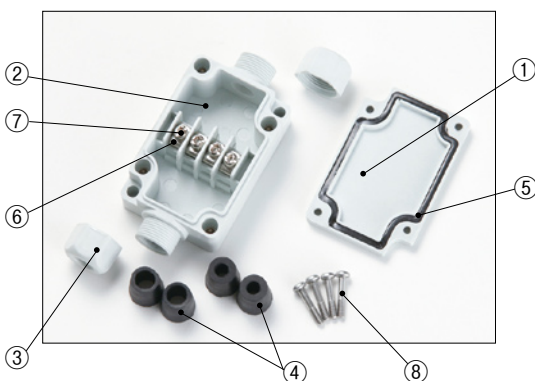
# TMC SERIES

■ Technical data ■

IP65

Operating temperature -20°C~+75°C

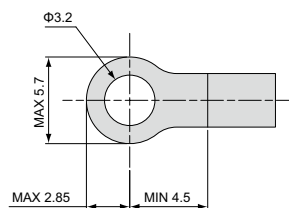
## TMC TERMINAL BLOCK JUNCTION BOX



### FEATURE

- Integrated junction box which is consisting of cable glands and a terminal block.
- Suitable for industrial facilities, power cable joints, wiring for motors or sensors, and so on.
- IP65 rated and PBT is applied as the box material due to the excellent in oil resistance.
- Prepared 3, 4, and 6 pole type.
- 2pcs each of  $\Phi 5$  and  $\Phi 7.4$  rubber cable bushes come with a junction box.

### Applicable crimp terminal R1.25-3



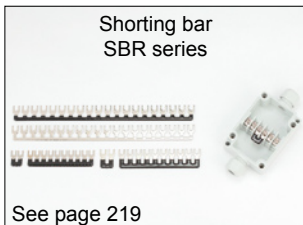
### Terminal Block Specification

Rated voltage	250V
Rated current	15A
Applicable wire	1.25mm <sup>2</sup>
Standard tightening torque	0.5N · m

### Components

Ref. #	Part name	Pcs	Material	Color / Finish
1	Cover	1	PBT (UL94V-0)	Light gray · Black
2	Base	1	PBT (UL94V-0)	Light gray · Black
3	Cable cap	2	PBT (UL94V-0)	Light gray · Black
4	Rubber bush	2 pairs	EPDM	Black
5	Gasket	1	Polyurethan	Black
6	Conductive plate	3-6	Brass	Nickel plated
7	Terminal screw	3-6	Steel M3	Nickel plated
8	Cover screw	4	Stainless steel M3	Unfinished

### Accessories (Optional parts)



Color Type

Color code	Cover	Base
G	Light gray	Light gray
B	Black	Black

Part no. / Dimensions

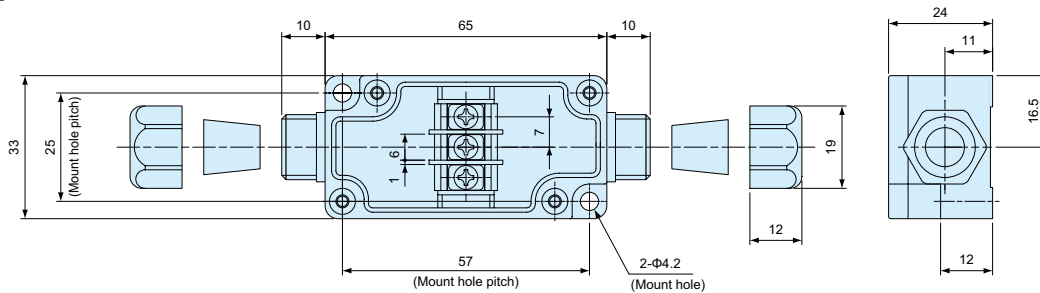
• Please suffix color code at the end of part number □□ when ordering TMC series.

Part no.	W	H	D	Number of poles	Weight (g)
TMC-3P□	65	33	24	3P	52
TMC-4P□	60	40	24	4P	58
TMC-6P□	70	50	24	6P	73

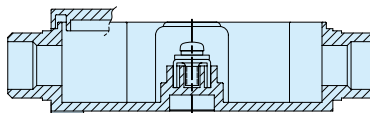
TMC Dimensions

• CAD data is downloadable from our web.

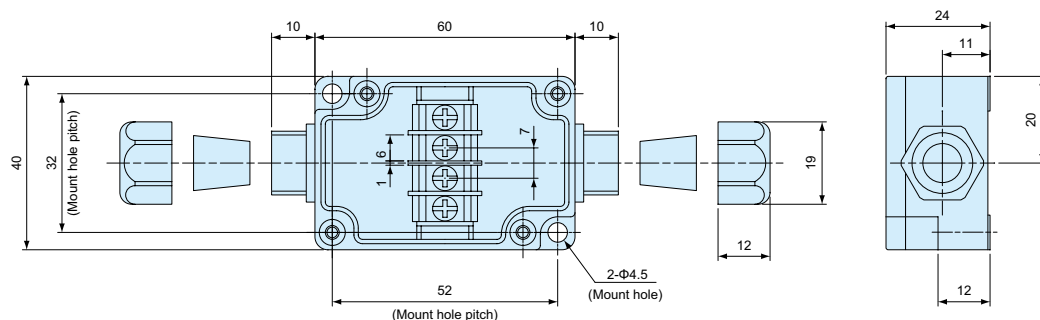
TMC-3P□



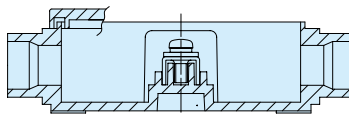
Inner diameter of rubber bush	Available cable size
Φ5.0	Φ4 ~ Φ5
Φ7.4	Φ6 ~ Φ7



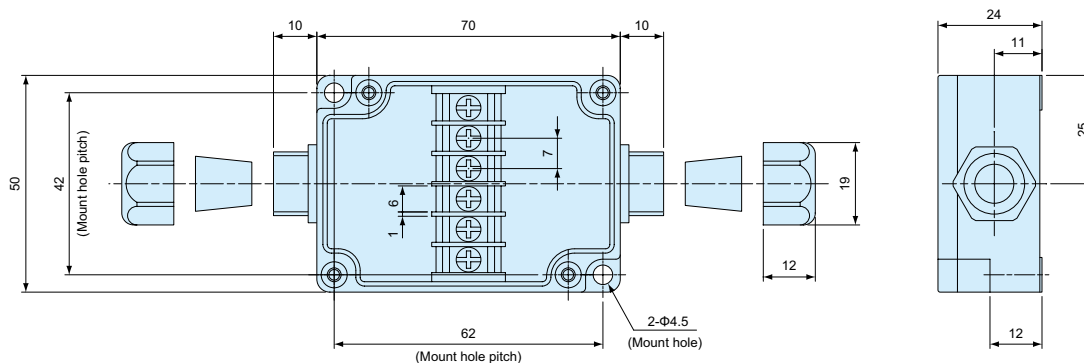
TMC-4P□



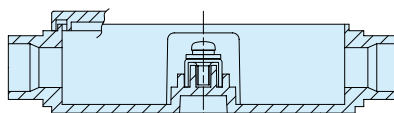
Inner diameter of rubber bush	Available cable size
Φ5.0	Φ4 ~ Φ5
Φ7.4	Φ6 ~ Φ7



TMC-6P□

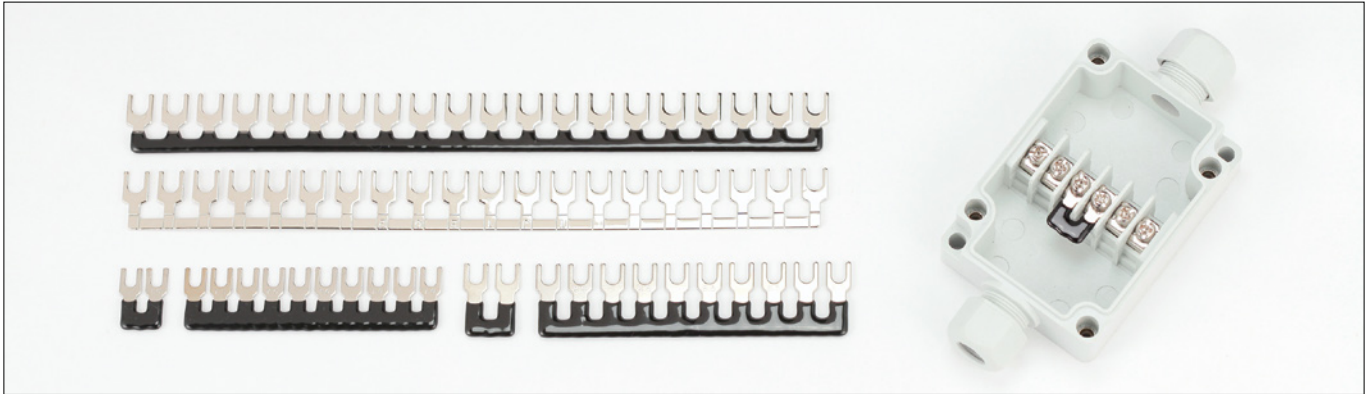


Inner diameter of rubber bush	Available cable size
Φ5.0	Φ4 ~ Φ5
Φ7.4	Φ6 ~ Φ7



# SBR · RB SERIES

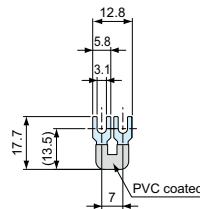
## SBR SHORTING BAR



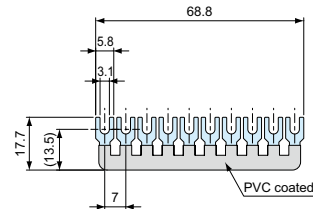
### FEATURE

- Convenient for making common-wiring.
- Cut only a required number of shortings and use them.
- PVC coated.

SBR70-2P



SBR70-10P



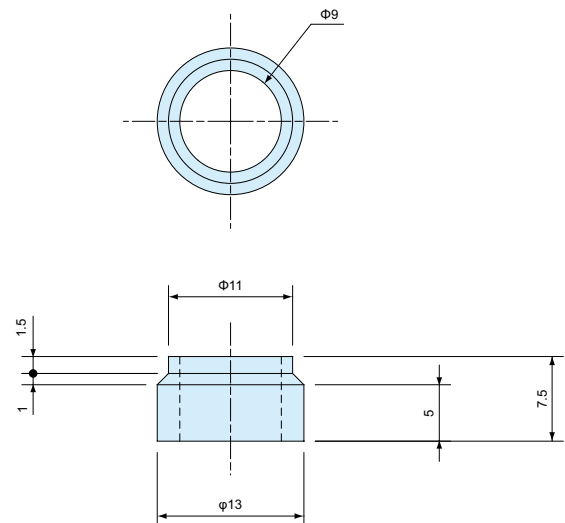
### Part no. / Dimensions

Part no.	Number of poles	Terminal pitch	Material	Color / Finish	Sales unit
SBR70- 2P	2P	7.0mm	Brass	Nickel plated	10
SBR70-10P	10P	7.0mm	Brass	Nickel plated	1

## RB RUBBER BUSH



- Cable outside-diameter from  $\Phi 8$ mm to 9mm is available.



### Part no. / Dimensions

1pack = 2pcs

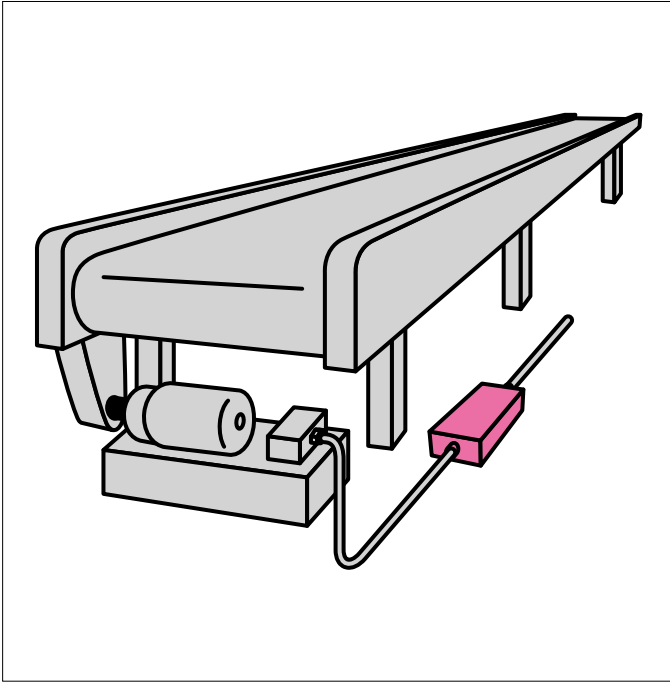
Part no.	Material	Color / Finish	Available cable size	Sales unit
RB-9	EPDM	Black	$\Phi 8 \sim \Phi 9$ mm	2

# TERMINAL BLOCK JUNCTION BOX APPLICATIONS

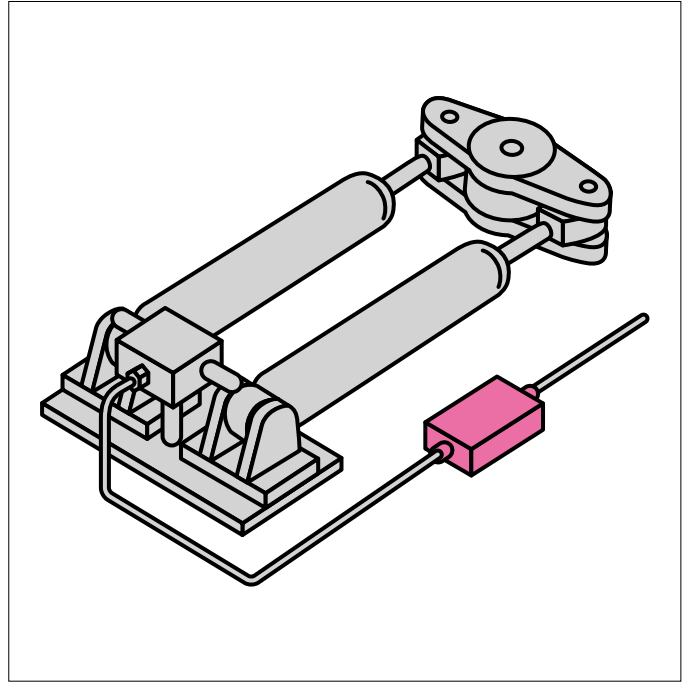
Suitable for industrial facilities, power cable joints, wiring for motors or sensors, and so on.

Easy installation due to an integrated junction box which is consisting of cable glands and a terminal block.

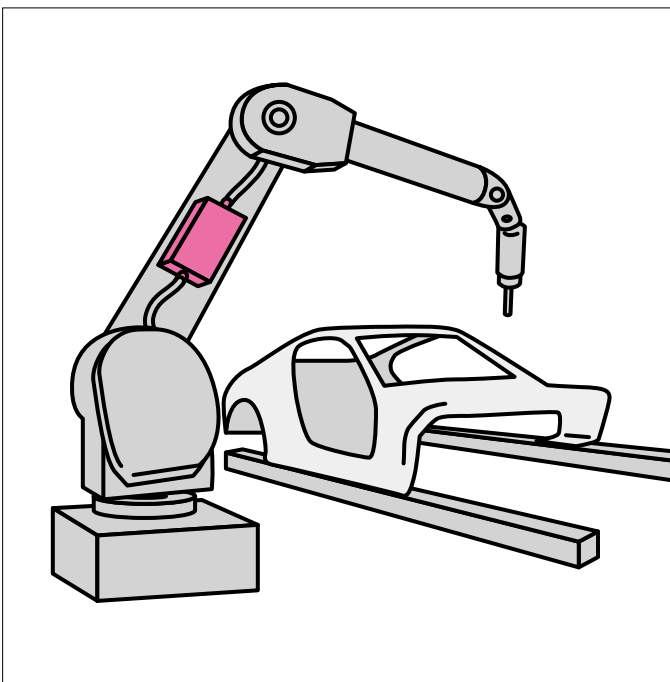
Relay wiring for monitors



Relay wiring for sensors



Signal relay wiring for industrial robots



Relay wiring for optical sensors

