

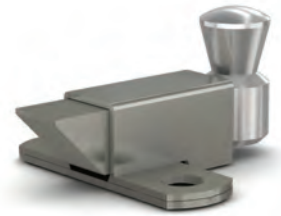


# Latching systems

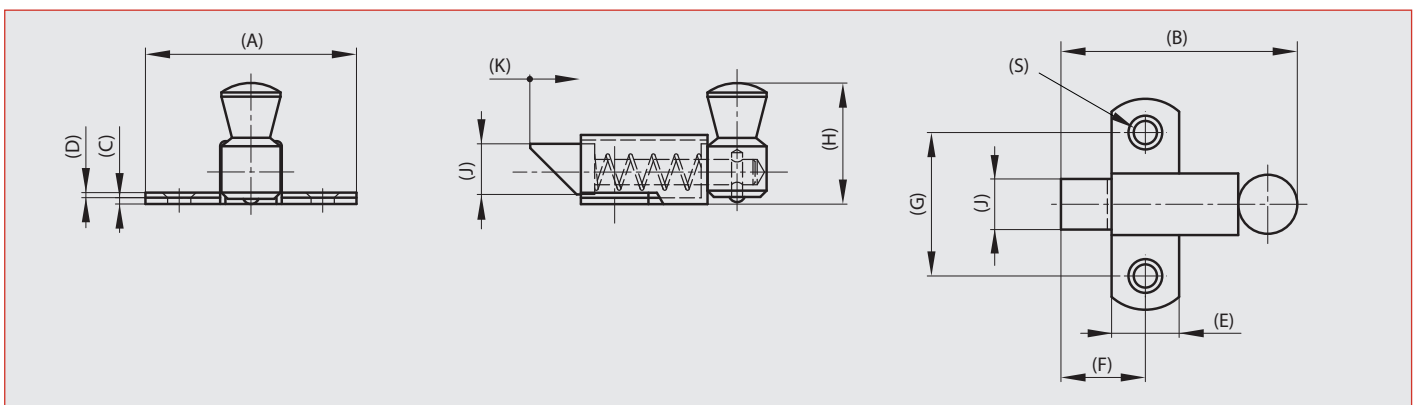
## Slam latches

### Springloaded latches - bolt «nose-up»

Slam latches.



Part number	Material	Finish	A	B	C	D	E	F	G	H	J	K	S	Weight (g)
16-1-3625	steel	zinc plated	35	36.5	1.2	1	11	13.5	23	19	8	8	3.5	20
16-1-3626	brass	chrome plated	35	36.5	1.2	1	11	13.5	23	19	8	8	3.5	24
16-1-3628	steel	zinc plated	50	56	1.5	1.2	16	19	34	29.5	12	11	4.8	71
16-1-3629	brass	chrome plated	50	56	1.5	1.2	16	19	34	29.5	12	11	4.8	75
16-1-3631	steel	zinc plated	70	73	2	1.5	22	28	45	38	16	16	7	129
16-1-3632	brass	chrome plated	70	73	2	1.5	22	28	45	38	16	16	7	163

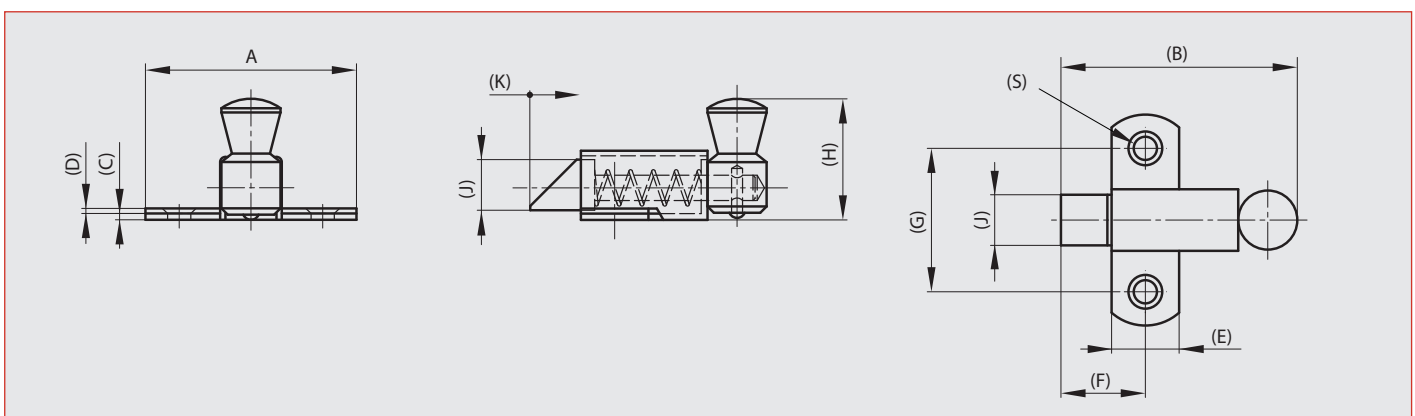


### Springloaded latches - bolt «nose-down»

Slam latches.



Part number	Material	Finish	A	B	C	D	E	F	G	H	J	K	S	Weight (g)
16-1-3430	steel	zinc plated	35	36.5	1.2	1	11	13.5	23	19	8	8	3.5	20
16-1-3431	brass	chrome plated	35	36.5	1.2	1	11	13.5	23	19	8	8	3.5	24
16-1-3433	steel	zinc plated	50	56	1.5	1.2	16	20	34	27	12	12	4.8	71
16-1-3434	brass	chrome plated	50	56	1.5	1.2	16	20	34	27	12	12	4.8	75
16-1-3436	steel	zinc plated	70	73	2.0	1.5	22	28	45	38	16	16	7	129
16-1-3437	brass	chrome plated	70	73	2.0	1.5	22	28	45	38	16	16	7	163



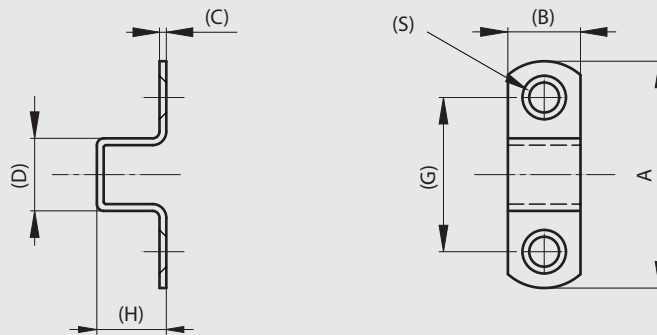


# Latching systems

## Slam latches

### Strikes for latches with dimension A = 35, 50 and 70

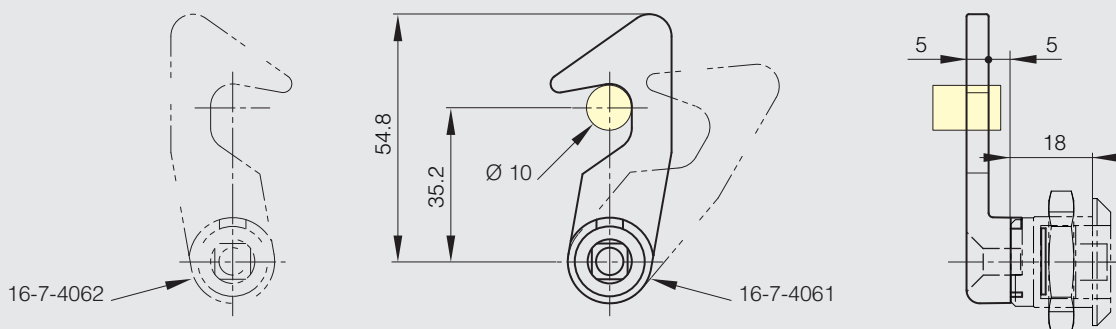
Part number	Material	Finish	A	B	C	D	G	H	S	Weight (g)
16-1-3633	steel	zinc plated	35	11	1.2	11.5	23	11.5	3.5	4.5
16-1-3634	brass	chrome plated	35	11	1.2	11.5	23	11.5	3.5	5
16-1-3636	steel	zinc plated	50	16	1.5	16	34	16	4.8	12
16-1-3637	brass	chrome plated	50	16	1.5	16	34	16	4.8	13
16-1-3639	steel	zinc plated	70	19	2	19	43.5	21	7	32
16-1-3640	brass	chrome plated	70	19	2	19	43.5	21	7	33



### Hooked cam

Hooked cam can be fitted to any standard quarter turn.  
A full product data sheet is available on our website.

Part number	Material	Finish	Note	Weight (g)
16-7-4061	zinc die-cast	zinc plated	right	40
16-7-4062	zinc die-cast	zinc plated	left	40





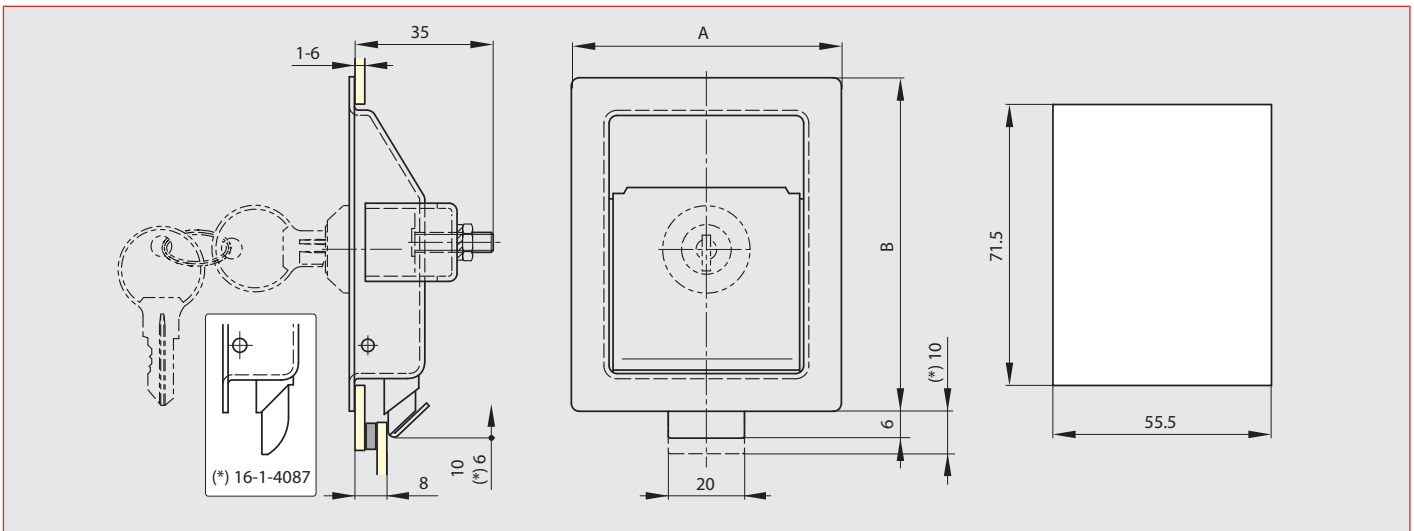
## Slam latches

### Paddle latches 68.5 x 84 mm

Available with or without key.  
Keyed alike for version with cylinder.



Part number	Material	Finish	A	B	Note	Weight (g)
16-1-4087	steel	chrome plated	68.5	84	with key	184
16-1-4106	steel	zinc plated	68.5	84	with key	184
16-1-4108	304 stainless steel	raw	68.5	84	with key	184
16-1-4105	steel	zinc plated	68.5	84	without key	184
16-1-4217	steel	black	68.5	84	without key	184
16-1-4107	304 stainless steel	raw	68.5	84	without key	184

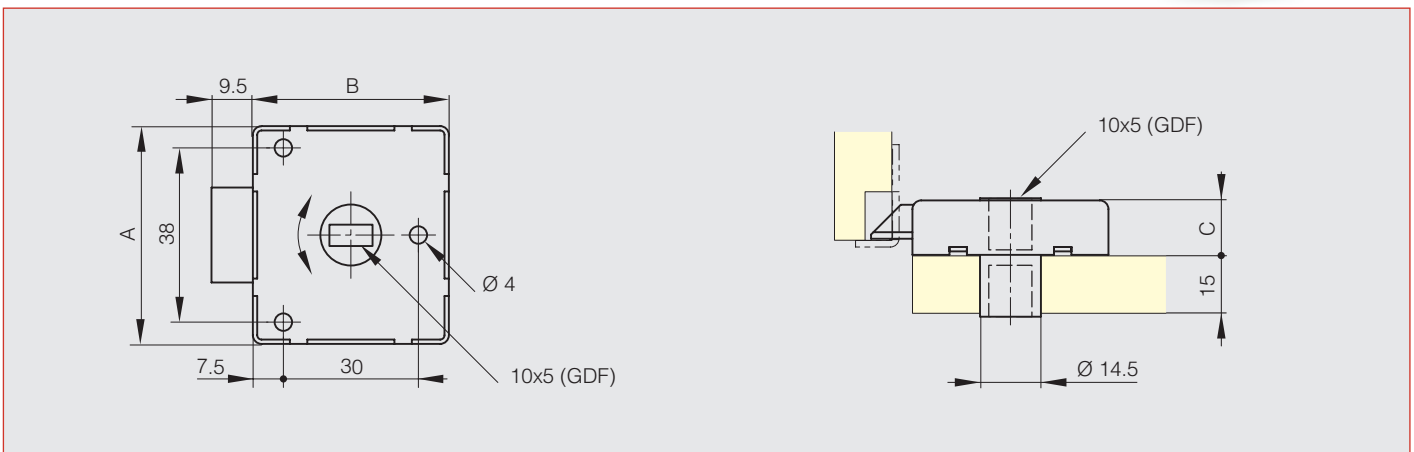


### Slam latch without strike

Non handed fitting. Strike not included.



Part number	Material	Finish	A	B	C	Weight (g)
16-7-3698	steel	zinc plated	50	45	12.5	118





# Latching systems

## Slam latches

### Springloaded bolt - reversible bolt

Slam blot - reversible.

Bolt can be manually unassembled to be positioned 'nose-up' or 'nose-down'.



Part number	Material	Finish	A	B	C	Note	Weight (g)
16-7-4220	steel	zinc plated	63.2	57	17.4	bolt delivered 'nose-up'	185
16-7-3835	304 stainless steel	raw	63.2	57	17.4	bolt delivered 'nose-down'	185

