





# Best Pneumatics 4

## Pressure Gauge Guide

General Purpose Pressure Gauge: G□ .....	P.1.15-2
Oil Free/External Parts Copper Free Pressure Gauge: G46E ....	P.1.15-6
Pressure Gauge for Clean Regulator: G46-□-□-SR .....	P.1.15-6


# Pressure Gauge Guide

## General Purpose Pressure Gauge

	Size (O.D.)	Model (Type)	Indication precision ±%FS	Gauge range		Connecting thread	Material			Indication units <sup>(1)</sup>		Attachment <sup>(2)</sup>	
				MPa	kgf/cm <sup>2</sup>		Case	Clear cover	Stud	MPa	MPa & kgf/cm <sup>2</sup>		
	ø15	G15 (DTtype)	5	0 to 1.0	—	R(PT) 1/8 Male thread, M5 Female	Zinc die cast (Sun-coat treated)	Poly-carbonate	Zinc die cast (Sun-coat treated)	●	—	P.1.15-2	
	ø26	G27 (DTtype)		0 to 1.0	—	R(PT) 1/16 Male thread				—	●		
	ø37	G36 (DTtype) GA36 (ATtype)	3	0 to 0.2 0 to 0.4 0 to 0.7 0 to 1.0 0 to 1.5	—	R(PT) 1/8	Rolled steel (Black melamine painted)	Poly-carbonate	Brass	—	●	—	P.1.15-3
	ø42	G46 (DTtype)	3	0 to 0.2 0 to 0.4 0 to 0.7 0 to 1.0 0 to 1.5	0 to 1 0 to 4 0 to 7 0 to 10 0 to 15	R(PT) 1/8 R(PT) 1/4	Rolled steel (Black melamine painted)	Poly-carbonate	Brass	—	●	Cover ring ass'y	P.1.15-4
		GA46 (ATtype)		—									
	ø43	43 (DTtype)	3	0 to 0.2 0 to 0.3 0 to 0.4 0 to 0.6 0 to 0.7 0 to 1.0	0 to 2 0 to 3 0 to 4 0 to 6 0 to 7 0 to 10	R(PT) 1/8 R(PT) 1/4	Stainless steel	Glass	Brass	—	●	—	P.1.15-5


Note 1) Consult SMC for psi and bar scale indication and connecting thread "NPT".  
Note 2) Possible for use in a panel mounting.

## Oil Free/External Parts Copper Free Pressure Gauge

	Size (O.D.)	Model (Type)	Indication precision ±%FS	Gauge range		Connecting thread	Material			Indication units <sup>(1)</sup>		Attachment	
				MPa			Case	Clear cover	Stud	MPa	MPa & kgf/cm <sup>2</sup>		
	ø42	G46E (DT type)	3	0 to 0.2 0 to 0.4 0 to 0.7 0 to 1.0		R(PT) 1/8 R(PT) 1/4	Rolled steel (Black melamine painted)	Poly-carbonate (Hard coated)	Brass Electroless nickel plated	—	●	Cover ring ass'y	P.1.15-6
							Oil free (Degreased)						

Note 1) Consult SMC for psi and bar scale indication and connecting thread "NPT".  
Note 2) Possible for use in a panel mounting.

## Pressure Gauge for Clean Regulator

	Size (O.D.)	Model (Type)	Indication precision ±%FS	Gauge range		Connecting thread	Material			Indication units <sup>(1)</sup>		Attachment <sup>(2)</sup>	
				MPa			Case	Clear cover	Stud	MPa	MPa & kgf/cm <sup>2</sup>		
	ø42	G46-□-SR (DT type)	3	0 to 0.2 0 to 0.4 0 to 0.7 0 to 1.0		R(PT) 1/4	SUS 304 (Black melamine painted)	Poly-carbonate (Hard coated)	SUS 316	—	●	—	P.1.15-6
							Oil free/Water free <sup>(2)</sup>						

Note 1) Consult SMC for psi and bar scale indication and connecting thread "NPT".  
Note 2) Refer to the p.1.15-6 for further information.

## General Purpose Pressure Gauge

### G15 (DT type)/G27 (DT type)

O.D.:  $\varnothing 15$   
 $\varnothing 26$



G15-10-01



G27-10-R1

### Standard Specifications

Model	G15	G27
Type	DT type (Back side thread)	
Indication precision	$\pm 5\%$ F.S. (Full span)	
Material	Case	Zinc die cast (Sun coat treated)
	Clear cover	Poly-carbonate
	Stud	Zinc die cast (Sun coat treated)
Applicable model	R $1/16$	AC1000/AR1000/AW1000
	R(PT) $1/8$	ARM1000/2000



•Caution on handling: Error may result if drain, oil, etc. gets into gauges.

### Model (Standard)

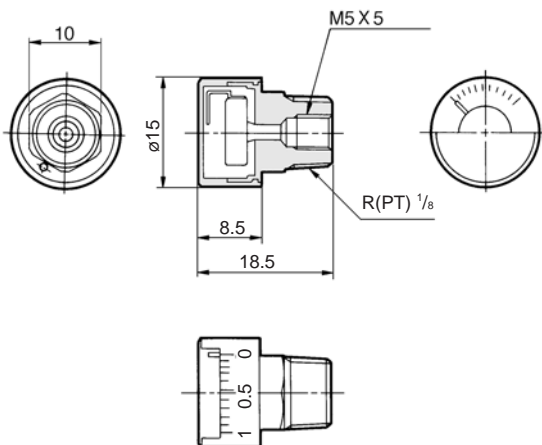
Model	Gauge range	Indication units	Connecting thread
	MPa		
<b>G15-10-01</b>	0 to 1.0	MPa	R(PT) $1/8$ Male, M5 Female thread
<b>G27-10-R1</b>	0 to 1.0	MPa	R(PT) $1/16$ Male thread

### Model (Made to order)

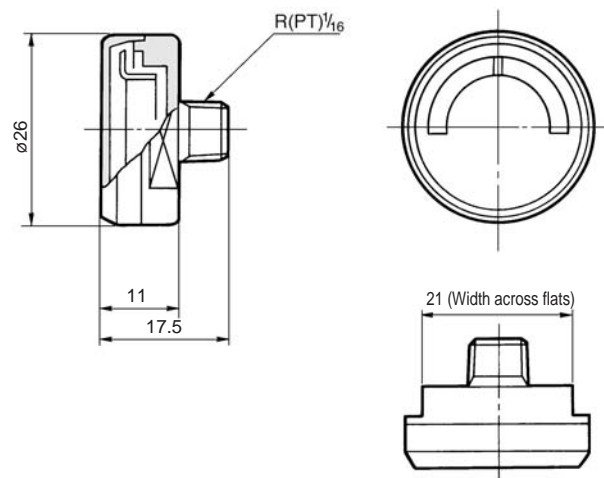
Model	Gauge range	Indication units	Connecting thread
	MPa		
<b>G27-10-M5-X201</b>	0 to 1.0	MPa	M5 Female thread

## Dimensions

### G15 (DT type)



### G27 (DT type)



AC  
AV  
AU  
AF  
AR  
IR  
VEX  
SRP  
AW  
AMR  
AWM  
AWD  
ITV  
VBA  
G  
AL

# Pressure Gauge Guide

## General Purpose Gauge/With Limit Indicator

### G36 (DT type)/GA36 (AT type)

O.D.:  $\phi 37$



G36-10-01

### Standard Specifications

Model		G36	GA36
Type		DT type (Back side thread)	AT type (Vertical side thread)
Indication precision		$\pm 3\%$ F.S. (Full span)	
Material	Case	Aluminum Die-cast	Rolled steel (Black painted)
	Clear cover	Poly-carbonate	Part no. G36-00-00-3
	Stud	Aluminum Die-cast	Brass
Applicable model	R(PT) $1/8$	AC2000/2500/3000 AR2000/2500/3000 AW2000/3000	

### Model (Standard)

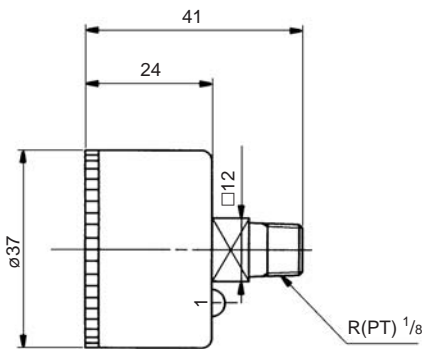
Model	Gauge range	Indication units	Connecting thread	Note
	MPa			
G36-2-01	0 to 0.2	MPa	R(PT) $1/8$	—
G36-4-01	0 to 0.4			
G36-7-01	0 to 0.7			
G36-10-01	0 to 1.0			
GA36-10-01	0 to 1.0	MPa		AT type

### Model (Made to order)

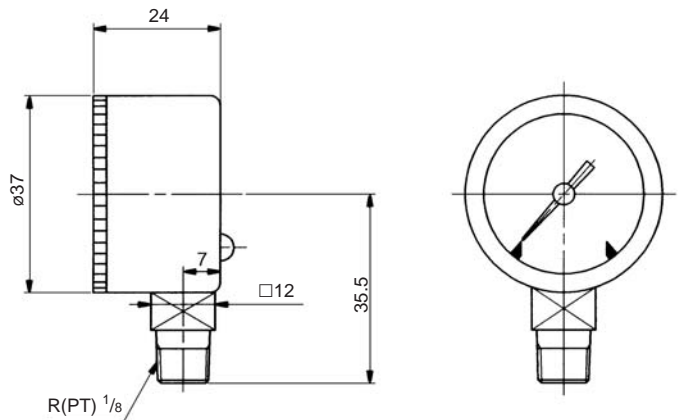
Model	Gauge range			Indication unit	Connecting thread	Note
	MPa	kgf/cm <sup>2</sup>	psi			
G36-2-01-X7	—	0 to 2	0 to 30	kgf/cm <sup>2</sup> psi Dual indication	R(PT) $1/8$	—
G36-4-01-X7	—	0 to 4	0 to 60			
G36-7-01-X7	—	0 to 7	0 to 100			
G36-10-01-X7	—	0 to 10	0 to 150			
GA36-10-01-X7	—	0 to 10	0 to 150			
G36-10-01-X2	0 to 1.0	—	—	MPa		(Ni) plated stem
G36-15-01	0 to 1.5	—	—	MPa		—

### Dimensions

#### G36(DT type)



#### GA36(AT type)



## General Purpose Pressure Gauge/With Limit Indicator

### G46(DT type)/GA46(AT type)

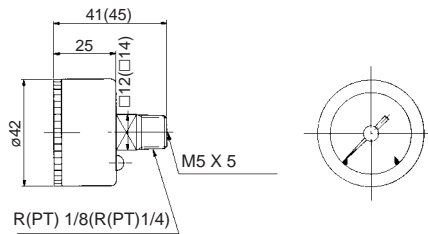
O.D.:  $\phi 42$



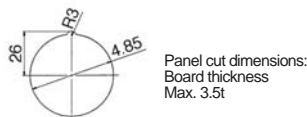
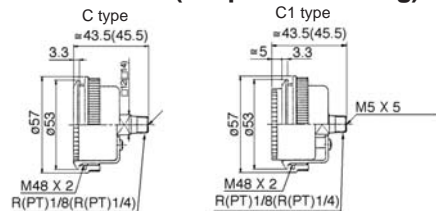
G46-10-02M-C

**Dimensions** Dimensions in (parentheses)  
 $\frac{1}{4}$ : R(PT) connecting thread

#### G46(DT type)



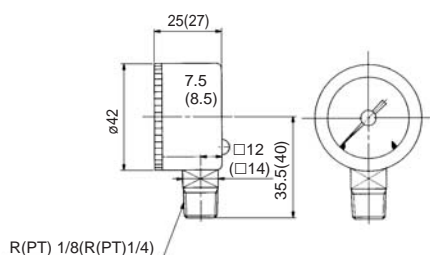
#### G46(DT type): With assembly (For panel mounting)



Panel cut dimensions:  
 Board thickness  
 Max. 3.5t

Refer to p.1.15-8 for mounting.

#### GA46(AT type)



### Standard Specifications

Model		G46	GA46
Type		DT type (Back side thread)	AT type (Vertical side thread)
Indication precision		$\pm 3\%$ F.S. (Full span)	
Material	Case	Aluminum Die-cast	Rolled steel (Black painted)
	Clear cover	Poly-carbonate Part no.: G46-00-00-3	
	Stud	Aluminum Die-cast	Brass
Applicable model	R(PT) $\frac{1}{4}$	AC4000/5000/5500/6000 AR4000/5000/6000 AW4000	
Attachment: With cover ring ass'y		C type	Part no.: 1305104-1A
		C1 type	Part no.: 1305104-3A

### Model (Standard)

Model	Pressure range	Indication units	Connecting thread	Note	
	MPa				
G46-2-01, 02	0 to 0.2	MPa	R(PT) $\frac{1}{8}, \frac{1}{4}$		
G46-4-01, 02	0 to 0.4				
G46-7-01, 02	0 to 0.7				
G46-10-01, 02	0 to 1.0				
G46-2-01 to 02M	0 to 0.2				
G46-4-01 to 02M	0 to 0.4				
G46-7-01 to 02M	0 to 0.7				
G46-10-01 to 02M	0 to 1.0				
G46-4-01 to 02M	0 to 0.4				R(PT) $\frac{1}{8}, \frac{1}{4}$ With M5 female thread
G46-7-01 to 02M	0 to 0.7				
GA46-10-01 to 02	0 to 1.0	MPa	R(PT) $\frac{1}{8}, \frac{1}{4}$	AT Type	

### Model (Made to order)

Model	Pressure range			Indication units	Connecting thread	Note			
	MPa	kgf/cm <sup>2</sup>	psi						
G46-2-01 to 02-C, C1	0 to 0.2	—	—	MPa	R(PT) $\frac{1}{8}, \frac{1}{4}$	With cover ring assembly			
G46-4-01 to 02-C, C1	0 to 0.4	—	—						
G46-7-01 to 02-C, C1	0 to 0.7	—	—						
G46-10-01 to 02-C, C1	0 to 1.0	—	—						
G46-2-01 to 02M-C, C1	0 to 0.2	—	—						
G46-4-01 to 02M-C, C1	0 to 0.4	—	—						
G46-7-01 to 02M-C, C1	0 to 0.7	—	—						
G46-10-01 to 02M-C, C1	0 to 1.0	—	—						
G46-4-02-X7	—	0 to 4	0 to 60				kgf/cm <sup>2</sup> Dual psi indication	R(PT) $\frac{1}{4}$	—
G46-10-02-X7	—	0 to 10	0 to 150						
G46-2-02M-X4	0 to 0.2	—	—	MPa	R(PT) $\frac{1}{4}$ With M5 female thread	Oil free			
G46-4-02M-X4	0 to 0.4	—	—						
G46-7-02M-X4	0 to 0.7	—	—						
G46-10-02M-X4	0 to 1.0	—	—						
G46-2-02M-C, C1-X4	0 to 0.2	—	—						
G46-4-02M-C, C1-X4	0 to 0.4	—	—			Oil free With cover ring assembly			
G46-7-02M-C, C1-X4	0 to 0.7	—	—						
G46-10-02M-C, C1-X4	0 to 1.0	—	—						
G46-10-02-X2	0 to 1.0	—	—				MPa	R(PT) $\frac{1}{4}$	(Ni) Plated Stem
G46-15-02	0 to 1.5	—	—						—

# Pressure Gauge Guide

## General Purpose Pressure Gauge

### G43(DT type)

O.D.:  $\phi 43$



G43-10-01

### Standard Specifications

Model		G43
Type		DT type (Back side thread)
Indication precision		$\pm 3\%$ F.S. (Full span)
Material	Case	Stainless steel
	Clear cover	Glass
	Stud	Brass
Applicable model	R(PT) <sup>1</sup> / <sub>8</sub>	IP200, IP600, IT600, IR200
	R(PT)	—

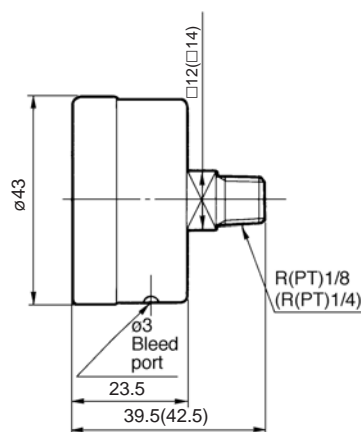
### Model (Standard)

Model	Pressure range	Indication units	Connecting thread	Note
	MPa			
G43-2-01 to 02	0 to 0.2	MPa	R(PT) <sup>1</sup> / <sub>8</sub> , <sup>1</sup> / <sub>4</sub>	—
G43-4-01 to 02	0 to 0.4			
G43-6-01	0 to 0.6			
G43-10-01 to 02	0 to 1.0			

### Model (Made to order)

Model	Pressure range			Indication units	Connecting thread	Note
	MPa	kgf/cm <sup>2</sup>	psi			
G43-2-01 to 02-X7	—	0 to 2	0 to 30	kgf/cm <sup>2</sup> Dual psi indication	R(PT) <sup>1</sup> / <sub>8</sub> , <sup>1</sup> / <sub>4</sub>	—
G43-4-01 to 02-X7	—	0 to 4	0 to 60			
G43-6-01-X7	—	0 to 6	0 to 90			
G43-10-01 to 02-X7	—	0 to 10	0 to 150			
G43-7-02	0 to 0.7	—	—	MPa	R(PT) <sup>1</sup> / <sub>4</sub>	—

### Dimensions



The dimensions in: Connecting thread R(PT) <sup>1</sup>/<sub>4</sub>

## Oil Free/External Parts Copper Free Pressure Gauge

### G46E (DT type)

O.D.:  $\phi 42$



G46E-10-02M

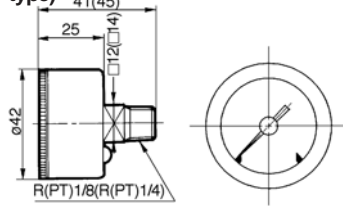


G46E-10-02M-C

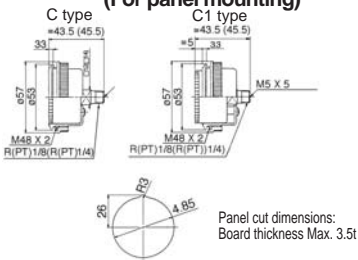
Dimensions in: R(PT)  
1/4 connecting thread

### Dimensions

#### G46E (DT type)



G46E (DT type): With cover ring ass'y's  
(For panel mounting)



### Standard Specifications

Model		<b>G46E</b>
Type		DT type (Back side thread)
Indication precision		$\pm 3\%$ F.S. (Full span)
Treatment		Oil free (Degreased)
Material	Case	Rolled steel (Black melamine plated)
	Clear cover	Poly-carbonate (Hard coated) Part no.: G46-00-00-2
	Stud	Brass (Electroless nickel plated)
Attachment: With cover ring ass'y	C type	Part no.: 1305104-1A
	C1 type	Part no.: 1305104-3A

### Model (Standard)

Model	Pressure range	Indication units	Connecting thread	Note
	MPa			
G46E-2-02M	0 to 0.2	MPa	R(PT) <sup>1</sup> / <sub>4</sub> With M5 Female thread	—
G46E-4-02M	0 to 0.4			
G46E-7-02M	0 to 0.7			
G46E-10-02M	0 to 1.0			

### Model (Made to Order)

Model	Pressure range	Indication units	Connecting thread	Note
	MPa			
G46E-2-02M-C/C1	0 to 0.2	MPa	R(PT) <sup>1</sup> / <sub>4</sub> W/ M5 Female thread	With cover ring assembly
G46E-4-02M-C/C1	0 to 0.4			
G46E-7-02M-C/C1	0 to 0.7			
G46E-10-02M-C/C1	0 to 1.0			

## Gauge for Clean Regulator/with Limit Indicator

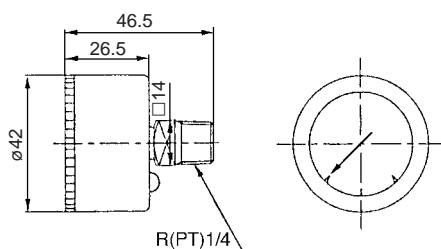
### G46-□-□-SR

O.D.:  $\phi 42$



G46-10-02-SR

### Dimensions



### Standard Specifications

Model		<b>G46-□-02-SRA</b>	<b>G46-□-02-SRB</b>
Type		DT type (Back side thread)	
Precision		$\pm 3\%$ F.S.	
Fluid contact part cleaning		Precise cleansing	General degreasing
Assembly/Adjustment environments		Clean room	General production line
Oil/Water free		Oil/Water free	
Material	Fluid contact part	Stainless steel 316	
	Case	Stainless steel 304 (Black melamine plated)	
	Clear cover	Poly-carbonate (Hard coated) Part no.: G46-00-00-2	
	Inner equipment	Brass	

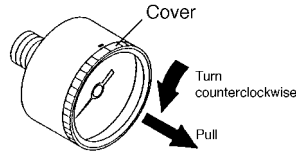
### Model (Standard)

Model	Pressure range	Indication units	Connecting thread	Note
	MPa			
G46-2-02-SRA	0 to 0.2	MPa	R(PT) <sup>1</sup> / <sub>4</sub>	—
G46-2-02-SRB				
G46-4-02-SRA	0 to 0.4			
G46-4-02-SRB				
G46-7-02-SRA	0 to 0.7			
G46-7-02-SRB				
G46-10-02-SRA	0 to 1.0			
G46-10-02-SRB				

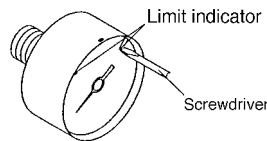
# Pressure Gauge Guide

## Procedure for setting the limit gauge indicator

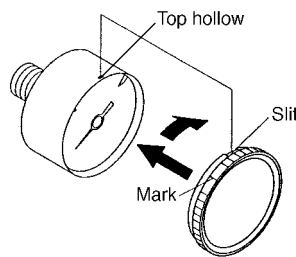
- (1) Before setting the (green) limit indicator, turn the cover counterclockwise (approximately 6 to 7mm) until it stops. Then, remove by pulling it towards you.



- (2) Use a flat head screwdriver (with a 2.9mm blade width) to set the (green) limit indicator. Be careful not to bend the other needle or damage the dial plate.



- (3) After completing the setting, replace the cover. Fit the cover by aligning the cutout in the cover to the groove on the top of the black case. Turn the cover clockwise (approximately 6 to 7mm) and make sure that the matching mark on the cover is aligned with the groove on the top of the case.



## ⚠️ Precautions

Be sure to read before handling. Refer to p.0-26 and 0-27 for Safety Instruction and common precautions on the products mentioned in this catalogue.

## Selection

### ⚠️ Caution

- ① Do not apply high load voltage (current) or surge current as this can cause the switch to malfunction.
- ② Make sure that no direct impact or vibrations are applied to the body.
- ③ If operating under pressure pulsations or in high frequency operations, contact SMC.

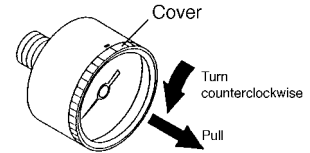
## Installation

### ⚠️ Caution

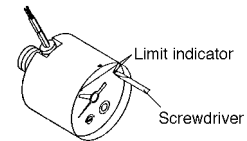
- ① During transport and installation, do not apply shock to the product, such as by dropping doing so will affect its precision.
- ② In terms of its installation posture, place it perpendicular to the ground, with the zero point on the dial of the pressure gauge facing down.
- ③ Do not install it in an area that is exposed to high temperature or humidity, because doing so will lead to improper operation.
- ④ To screw in the pressure gauge, make sure to turn the gauge by placing a wrench over the square wrench flats. If the pressure gauge is screwed in by holding it on some other area, it could lead to air leakage or damage.

## Procedure for setting the limit gauge indicator and the setting needle

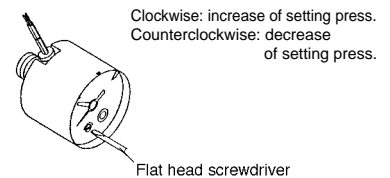
- (1) Before setting the limit indicator and the (green) setting needle, turn the cover counterclockwise (approximately 6 to 7mm) until it stops. Then, remove by pulling it towards you.



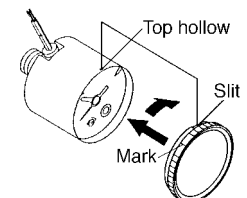
- (2) Use a flat head screwdriver (with a 2.9mm blade width) to set the (green) limit indicator. Be careful not to bend the other needle or damage the dial plate.



- (3) Before setting the setting needle, use a flat head screwdriver (with a 2.9mm blade width) to turn the setting screw and set the setting needle to the set pressure.

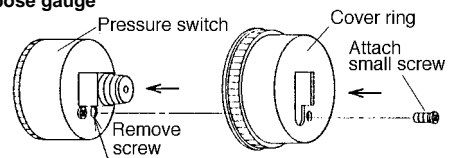


- (4) After completing the setting, replace the cover. Fit the cover by aligning the cutout in the cover to the groove on the top of the black case. Turn the cover clockwise (approximately 6 to 7mm) until it stops. Make sure that the matching mark on the cover is aligned with the groove on the top of the case.

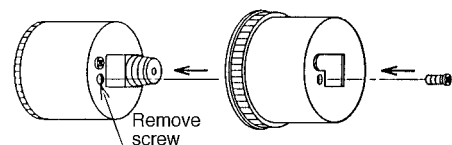


## Procedure for assembling the cover ring assembly

### • General purpose gauge



### • Gauge with pressure switch



1. Remove the small screw (1 position) from the pressure gauge.
2. Place the cover ring on the pressure gauge.
3. Using the small screw that is provided with the cover ring, install the over ring. The installation torque is 0.3 to 0.5N.m.