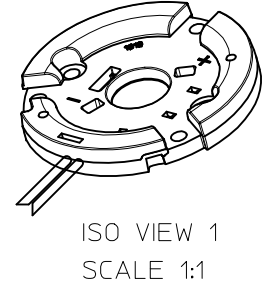
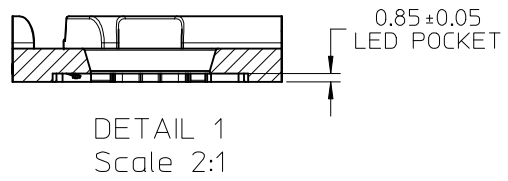
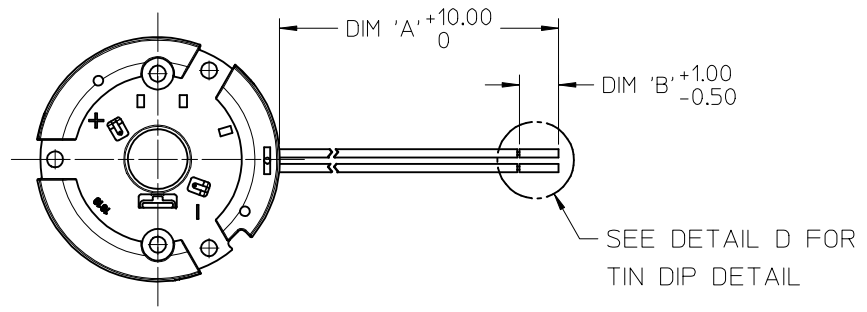


- NOTES:
1. MATERIALS: HOUSING: POLYESTER (PBT), GLASS FILLED, UL94 V-0, COLOR: WHITE, TERMINALS: COPPER ALLOY. OPTIONAL: HEAT SHRINK TUBING
  2. PLATING: TERMINAL CONTACT : SELECT GOLD (Au) OVER NICKEL (Ni).
  3. WIRE SPECIFICATION: UL 3266, 125C, 300V, 20AWG
  4. PRODUCT SPECIFICATION: PS-180555-002
  5. PACKAGING SPECIFICATION: PK-180559-013 AND PK-180559-014.
  6. APPLICATION SPECIFICATION: AS-180555-200.
  7. DESIGNED TO BE USED WITH LUMILEDS COB 1202/1203.
  8. MOUNT HOLDER UTILIZING M3 SCREWS. TORQUE: 0.4 MINIMUM NEWTON METERS, 0.8 NEWTON METERS MAX.
  9. UL 8754 RECOGNITION PENDING. FILE NUMBER: TBD
  10. THIS PRODUCT IS ELV AND ROHS COMPLIANT
  11. ALL DIMENSIONS IN PARENTHESIS (XX.XX) ARE FOR REFERENCE ONLY.

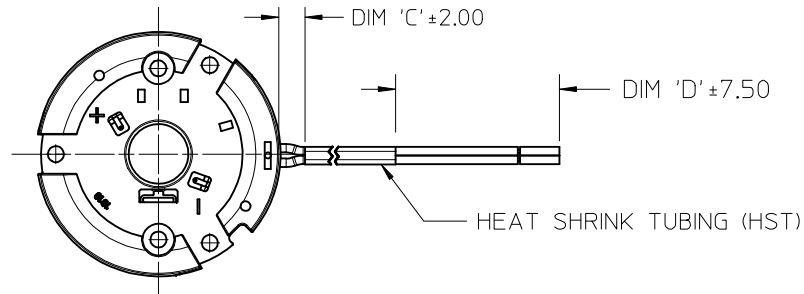


<b>ENTER DESCRIPTION</b> EC NO: SSL2016-0008 DRWN: MDEVIT001 2015/07/29 CHKD: GMEYER 2015/07/31 APPR: GMEYER 2015/08/12 A2	QUALITY SYMBOLS ▽=0 ▽=0 ▽=0	GENERAL TOLERANCES (UNLESS SPECIFIED)		DIMENSION STYLE <b>MM ONLY</b>		SCALE <b>1:1</b>	DESIGN UNITS <b>METRIC</b>	THIRD ANGLE PROJECTION
		4 PLACES ± --- ± --- 3 PLACES ± --- ± --- 2 PLACES ± 0.13 ± --- 1 PLACE ± 0.25 ± --- 0 PLACE ± --- ± ---	mm INCH DRAWN BY DATE MDEVIT001 2015/02/20 CHECKED BY DATE GMEYER 2015/04/15 APPROVED BY DATE GMEYER 2015/04/15	TITLE <b>SLIMRAY COB HOLDER ASSEMBLY 16 MM X 19 MM FOR LUMILEDS</b>				
		ANGULAR ± 1/2° DRAFT WHERE APPLICABLE MUST REMAIN WITHIN DIMENSIONS		MATERIAL NO. <b>SEE CHART</b>	DOCUMENT NO. <b>SD-180555-131</b>	SHEET NO. 1 OF 2		
		THIS DRAWING CONTAINS INFORMATION THAT IS PROPRIETARY TO MOLEX INCORPORATED AND SHOULD NOT BE USED WITHOUT WRITTEN PERMISSION						

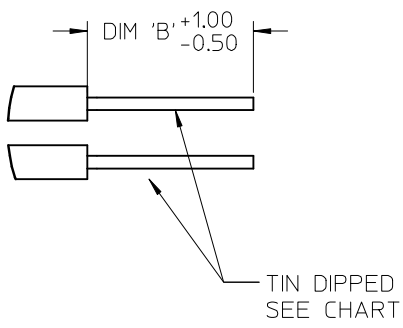
MOLEX PART NUMBER	DESCRIPTION	WIRE LENGTH	WIRE TYPE	FINISH	HEAT SHRINK TUBE	DIM. 'A'	DIM. 'B'	DIM. 'C'	DIM. 'D'
180555-1031	COB HOLDER W/O TUBING	600	STRANDED	TIN DIPPED	NO	600	8.5	X	X
180555-1033	COB HOLDER WITH HST	600	STRANDED	TIN DIPPED	YES (BLK)	600	8.5	5	22.5
180555-1034	COB HOLDER W/O TUBING	250	STRANDED	TIN DIPPED	NO	250	8.5	X	X
180555-1038	COB HOLDER WITH HST	600	STRANDED	TIN DIPPED	YES (WHT)	600	8.5	5	22.5



COB HOLDER WITHOUT HEAT SHRINK TUBING



COB HOLDER WITH HEAT SHRINK TUBING



DETAIL D  
Scale 4:1

ENTER DESCRIPTION EC NO: SSL2016-0008 DRAWN: MDEVIT001 2015/07/29 CHKD: GMEYER 2015/07/31 APPR: GMEYER 2015/08/12	DESCRIPTION A2	QUALITY SYMBOLS	GENERAL TOLERANCES (UNLESS SPECIFIED)	DIMENSION STYLE MM ONLY		SCALE 1:1	DESIGN UNITS METRIC	THIRD ANGLE PROJECTION	
		▽=0	mm INCH	DRAWN BY DATE	TITLE SLIMRAY COB HOLDER ASSEMBLY 16 MM X 19 MM FOR LUMILEDS				
		▽=0	4 PLACES ± --- ± ---	MDEVIT001 2015/02/20					
		▽=0	3 PLACES ± --- ± ---	CHECKED BY DATE					
▽=0	2 PLACES ± 0.13 ± ---	GMEYER 2015/04/15							
		1 PLACE ± 0.25 ± ---	APPROVED BY DATE	DOCUMENT NO.		SHEET NO. 2 OF 2			
		0 PLACE ± --- ± ---	GMEYER 2015/04/15	SD-180555-131					
ANGULAR ± 1/2°			MATERIAL NO.		THIS DRAWING CONTAINS INFORMATION THAT IS PROPRIETARY TO MOLEX INCORPORATED AND SHOULD NOT BE USED WITHOUT WRITTEN PERMISSION				
DRAFT WHERE APPLICABLE MUST REMAIN WITHIN DIMENSIONS			SEE CHART						