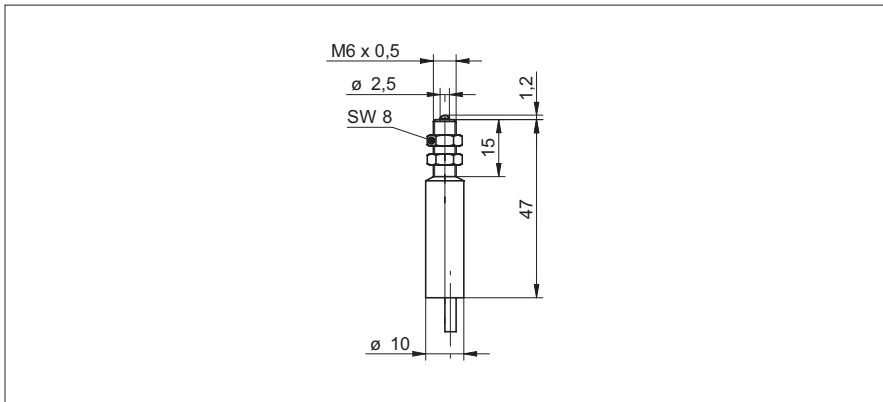


## MY COM precision switch

## MY COM E75P80

Mat.-No.: 10216205

## dimension drawing



## general data

repeat accuracy	± 0,001 mm
reset (hysteresis)	≤ 0,002 mm
activating force	75 cN
pre-run / overrun	0,8 ... 1,5 mm

## electrical data

voltage supply range +Vs	5 ... 36 VDC
switching frequency	0 ... 10 Hz
switch. current AC max.	50 mA
load resistance min.	480 Ω
output circuit	PNP normally open (NO)

## mechanical data

activating pin	hardened steel
housing material	brass nickel plated
dimension	6 mm
housing length	47 mm
connection types	cable, jacket: PVC ø 3,2 mm, wire: 3 x 0,14 mm <sup>2</sup> , L = 800 mm
mechanical lifetime	typ. 10 <sup>7</sup> switchings

## ambient conditions

operating temperature	-20 ... +75 °C
protection class	IP 50

## connection diagram

