



BERNSTEIN

Division
Sensortechnik

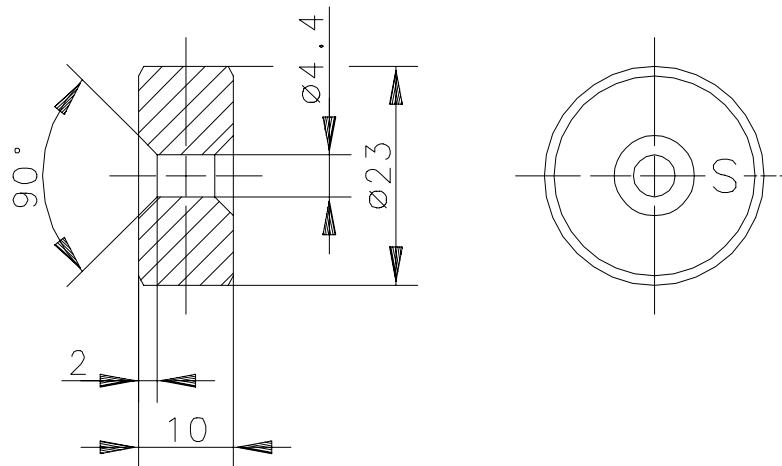
Technical Data

Magnet

Type: **T-62 N/S**

Art.-No.: **630.1262.039**

08.12.97/1166



Mechanical Features

- Temperature range : -20 °C ... +80 °C
- Magnet : Hartferrit 24/16;
axial magnetisation;
marking on the south pole side
- Application : general use