

## D-SUB bus connector - SUBCON-PLUS-PROFIB/Pg - 2744403

Please be informed that the data shown in this PDF Document is generated from our Online Catalog. Please find the complete data in the user's documentation. Our General Terms of Use for Downloads are valid (<http://phoenixcontact.com/download>)



D-SUB connector, 9-pos., male connector, cable entry < 35°, bus system: PROFIBUS DP up to 12 Mbps with Pg D-SUB socket for connecting a programming device, termination resistor can be switched on via slide switch, pin assignment: 3, 5, 6, 8; spring-cage connection terminal blocks

### Why buy this product



### Key commercial data

|                                      |   |
|--------------------------------------|---|
| Packing unit                         | 1 pc  |
| GTIN                                 | <br>4 017918 819453 |
| Weight per Piece (excluding packing) | 43.2 g  |
| Custom tariff number                 | 85366990  |
| Country of origin                    | Germany   |

### Technical data

#### Dimensions

|                     |         |
|---------------------|---------|
| Max. cable diameter | 8.4 mm  |
| Min. cable diameter | 7.6 mm  |
| Width               | 16 mm   |
| Height              | 49.5 mm |
| Length              | 60 mm   |

#### Ambient conditions

|   |  |
|---|--|
| Ambient temperature (operation)         | -20 °C ... 75 °C   |
| Ambient temperature (storage/transport) | -25 °C ... 80 °C   |
| Altitude                                | 5000 m (For restrictions see manufacturer's declaration) |

#### General

|                       |             |
|-----------------------|-------------|
| Nominal voltage $U_N$ | 5 V         |
| Nominal current $I_N$ | 100 mA      |
| Bus system            | PROFIBUS DP |

# D-SUB bus connector - SUBCON-PLUS-PROFIB/PG - 2744403

## Technical data

### General

|                             |  |
|-----------------------------|--|
| Signal                      | PROFIBUS   |
| Insertion/withdrawal cycles | > 200  |
| SUBCON fixing screws        | 4-40 UNC   |
| Tightening torque           | 0.4 Nm   |
| Housing material            | ABS, metal-plated  |
| Pin assignment              | 3, 5, 6, 8   |
| MTTF                        | 6706 Years (SN 29500 standard, temperature 25°C, operating cycle 21 % (5 days a week, 8 hours a day))      |
|                             | 1817 Years (SN 29500 standard, temperature 40 °C, operating cycle 34.25 % (5 days a week, 12 hours a day)) |
|                             | 155 Years (SN 29500 standard, temperature 40°C, operating cycle 100 % (7 days a week, 24 hours a day))     |

### Connection data

|                                    |                                     |
|------------------------------------|-------------------------------------|
| Connection                         | D-SUB connection                    |
| Number of positions                | 9                                   |
| Connection method                  | D-SUB connector                     |
| Termination resistor               | 390 Ω                               |
|                                    | 220 Ω                               |
|                                    | 390 Ω (Can be connected externally) |
| Connection                         | PCB connection                      |
| Connection method                  | Spring-cage connection              |
| Conductor cross section solid min. | 0.12 mm <sup>2</sup>                |
| Conductor cross section solid max. | 0.5 mm <sup>2</sup>                 |
| Conductor cross section AWG min.   | 26                                  |
| Conductor cross section AWG max.   | 20                                  |
| Stripping length                   | 5 mm                                |
| Tightening torque                  | 0.4 Nm                              |
| Connection                         | Programming connection              |
| Number of positions                | 9                                   |
| Connection method                  | D-SUB socket                        |

## Classifications

### eCl@ss

|            |          |
|------------|----------|
| eCl@ss 4.0 | 27140816 |
| eCl@ss 4.1 | 27140816 |
| eCl@ss 5.0 | 27143424 |
| eCl@ss 5.1 | 27143424 |
| eCl@ss 6.0 | 27143424 |
| eCl@ss 7.0 | 27440209 |
| eCl@ss 8.0 | 27440302 |

# D-SUB bus connector - SUBCON-PLUS-PROFIB/PG - 2744403

## Classifications

### ETIM

|          |          |
|----------|----------|
| ETIM 2.0 | EC001132 |
| ETIM 3.0 | EC001132 |
| ETIM 4.0 | EC001132 |
| ETIM 5.0 | EC001132 |

### UNSPSC

|               |          |
|---------------|----------|
| UNSPSC 6.01   | 30211802 |
| UNSPSC 7.0901 | 39121402 |
| UNSPSC 11     | 39121402 |
| UNSPSC 12.01  | 39121402 |
| UNSPSC 13.2   | 39121402 |

## Approvals

### Approvals

---

#### Approvals

UL Recognized / cUL Recognized / EAC / cULus Recognized

---

#### Ex Approvals

---

#### Approvals submitted

---

## Approval details

|               |
|---------------|
| UL Recognized |
|---------------|

|                |
|----------------|
| cUL Recognized |
|----------------|

|     |
|-----|
| EAC |
|-----|

|                  |
|------------------|
| cULus Recognized |
|------------------|

## D-SUB bus connector - SUBCON-PLUS-PROFIB/PG - 2744403

### Accessories

#### Accessories

Data cable by the meter

Cable - PSM-CABLE-PROFIB/FC - 2744652



PROFIBUS cable, Fast Connect type, up to 12 Mbps (02YSY (ST)CY 1x2x22 AWG)

---

### Data plug

D-SUB bus connector - SUBCON-PLUS-PROFIB/PG/SC2 - 2708245



D-SUB connector, 9-pos., male connector, cable entry < 35°, bus system: PROFIBUS DP up to 12 Mbps with PG D-SUB socket for connecting a programming device, termination resistor can be switched on via slide switch, pin assignment: 3, 5, 6, 8; screw connection terminal blocks

---

D-SUB bus connector - SUBCON-PLUS-PROFIB/90/PG/IDC - 2313685



D-SUB connector, 9-pos., male connector, cable entry < 90°, bus system: PROFIBUS DP up to 12 Mbps with PG D-SUB socket for connecting a programming device, termination resistor can be switched on via slide switch, pin assignment: 3, 5, 6, 8; IDC terminal block connection

---

### Screwdriver tools

Screwdriver - SZF 0-0,4X2,5 - 1204504



Actuation tool, for ST terminal blocks, also suitable for use as a bladed screwdriver, size: 0.4 x 2.5 x 75 mm, 2-component grip, with non-slip grip

---

Screwdriver - SZK PH1 VDE - 1205150



Screwdriver, PH crosshead, VDE insulated, size: PH 1 x 80 mm, 2-component grip, with non-slip grip

# D-SUB bus connector - SUBCON-PLUS-PROFIB/PG - 2744403

## Accessories

### Stripping tool

Stripping pliers - QUICK WIREFOX 6 - 1204384



Stripping tool for cables with PVC insulation, stripping range: 0.08 to 6 mm<sup>2</sup>, wire cutting up to 6 mm<sup>2</sup> flexible or 4 mm<sup>2</sup> rigid

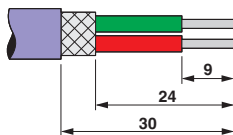
Stripping tool - PSM-STRIP-FC/PROFIB - 2744623

Quick stripping tool for PROFIBUS cable, type Fast Connect

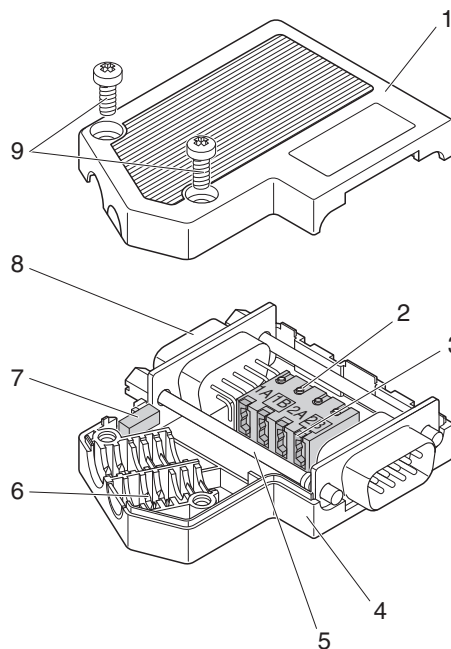


## Drawings

Schematic diagram



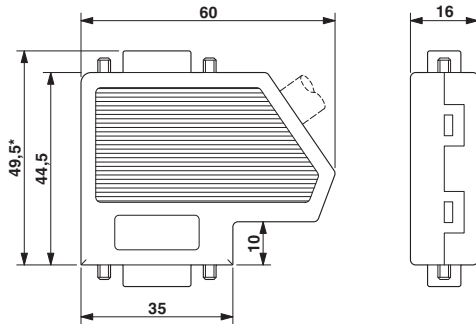
Schematic diagram



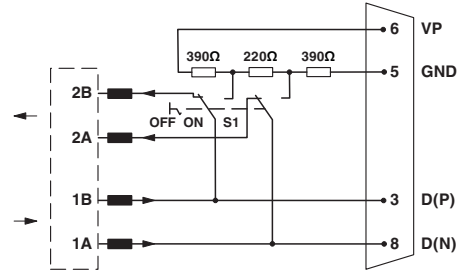
### Stripping specifications

## D-SUB bus connector - SUBCON-PLUS-PROFIB/PG - 2744403

Dimensional drawing



Circuit diagram



Functional diagram of the connector range  
SUBCON-PLUS-PROFIB/...