

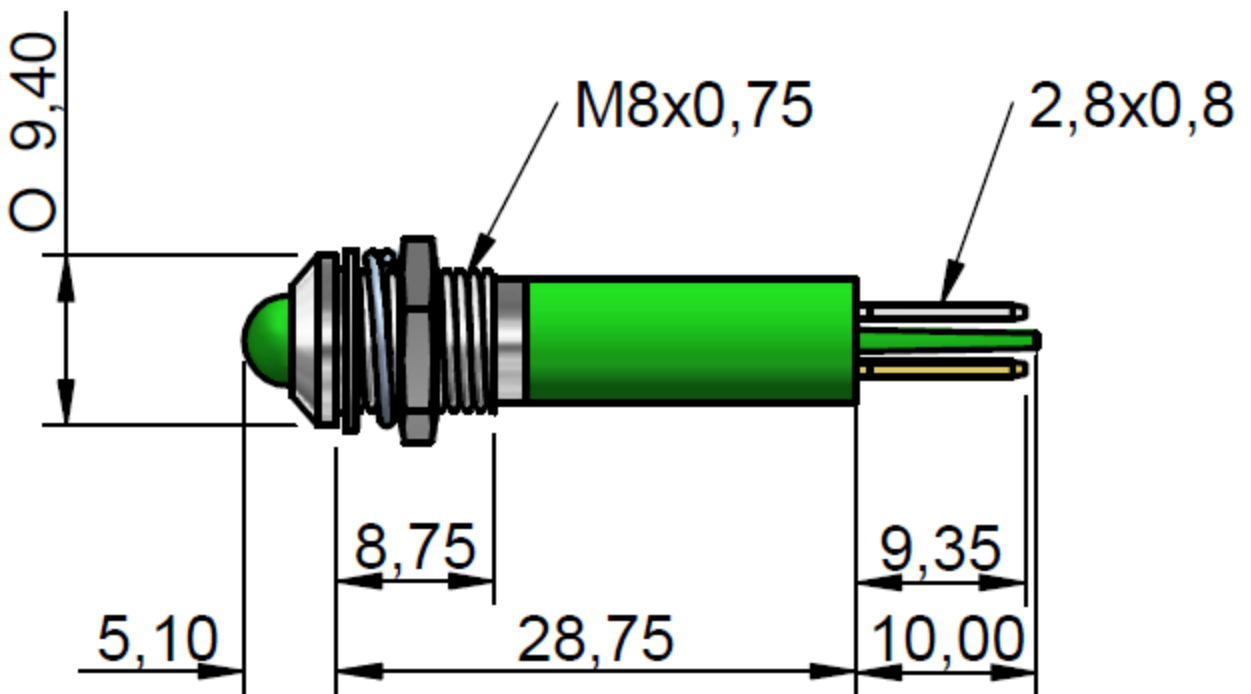
Professionally approved products.

## Datasheet

### 8mm Prominent Green LED Panel Mount Indicator Solder Tab Termination

RS Stock number [211-522](#)

Dimensions: mm



|                  |                     |                          |               |           |       |
|------------------|---------------------|--------------------------|---------------|-----------|-------|
| LED/Multiled     | LED                 | Optimum voltage (V)      | 24Vac/dc      | Intensity | 40mcd |
| Mounting Size    | 8mm                 | Rectifier                | Half Wave     |           |       |
| Mounting Finish  | Satin Bezel         | AC current               | 10mA          |           |       |
| Protection       | IP67                | DC current               | 20mA (max)    |           |       |
| Mount Holder     | Prominent           | Voltage Tolerance(%)     | 10%           |           |       |
| Chip Qty         | 1                   | Optimum temperature (°C) | -40°C...+85°C |           |       |
| Indicator colour | Green High Contrast | Storage temperature (°C) |               |           |       |
| Wavelength (nm)  | 568                 | Contact Tab x 2          | 2.8x0.8mm     |           |       |