

PLEASE CHECK WWW.MOLEX.COM FOR LATEST PART INFORMATION

Part Number: [73171-0700](#)
Status: **Active**
Overview: [BNC RF Connectors](#)
Description: 75 Ohms, BNC Right-Angle, Low Profile, PCB Jack Receptacle

Documents:

[Drawing \(PDF\)](#) [RoHS Certificate of Compliance \(PDF\)](#)

General

| | |
|-----------------|-----------------------------------|
| Product Family | RF/Coax Connectors |
| Series | 73171 |
| Overview | BNC RF Connectors |
| Product Name | BNC |
| Style | PCB |
| UPC | 800754027007 |
| Wire/Cable Type | N/A |

Physical

| | |
|-----------------------------|--------------|
| Gender | Jack |
| Keying to Mating Part | None |
| Net Weight | 11.524/g |
| Orientation | Right Angle |
| PCB Mounting | Through Hole |
| PCB Thickness - Recommended | 3.20mm |
| Packaging Type | Bag |
| Panel Mount | Yes |
| Panel Mount Method | Bulkhead |
| Reverse Polar | No |

Electrical

| | |
|-----------|-----|
| Impedance | 75# |
|-----------|-----|

Solder Process Data

| | |
|--|------------------------|
| Duration at Max. Process Temperature (seconds) | 10 |
| Lead-free Process Capability | Wave Capable (TH only) |
| Max. Cycles at Max. Process Temperature | 2 |
| Process Temperature max. C | 260 |

Material Info

Reference - Drawing Numbers

| | |
|---------------|--------------|
| Sales Drawing | SD-73171-070 |
|---------------|--------------|

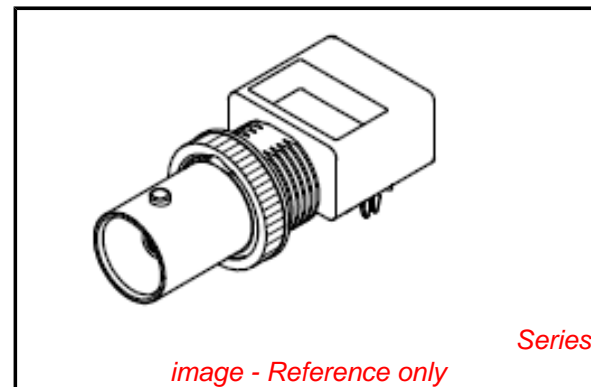


image - Reference only

EU RoHS

RoHS Compliant RF Product

REACH SVHC

Contains SVHC: No

Low-Halogen Status

Low-Halogen

China RoHS



Need more information on product environmental compliance?

Email productcompliance@molex.com
 For a multiple part number RoHS Certificate of Compliance, [click here](#)

Please visit the [Contact Us](#) section for any non-product compliance questions.

Search Parts in this Series

[73171Series](#)