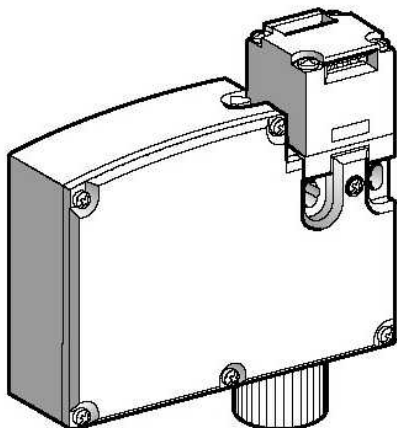


Product availability: Stock - Normally stocked in distribution facility



### Ordering and shipping details

Category	22411 - LIMIT SWITCHES,IEC,XCKJ
Discount Schedule	T
GTIN	00785901825227
Nbr. of units in pkg.	1
Package weight(Lbs)	0.70
Product availability	Stock - Normally stocked in distribution facility
Returnability	Y
Country of origin	FR

### Offer Sustainability

Sustainable offer status	Not Green Premium product
RoHS	Compliant - since 1150 - <a href="#">Schneider Electric declaration of conformity</a>
REACH	Reference not containing SVHC above the threshold
Product environmental profile	Available <a href="#">Download Product Environmental</a>

### Contractual warranty

Period	18 months
--------	-----------

The information provided in this documentation contains general descriptions and/or technical characteristics of the performance of the products contained herein. This documentation is not intended as a substitute for and is not to be used for determining suitability or reliability of these products for specific user applications. It is the duty of any such user or integrator to perform the appropriate and complete risk analysis, evaluation and testing of the products with respect to the relevant specific application or use thereof. Neither Schneider Electric Industries SAS nor any of its affiliates or subsidiaries shall be responsible or liable for misuse of the information contained herein.