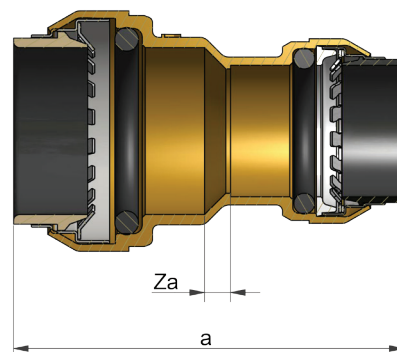


SHARKBITE - REDUCING COUPLINGS



REDUCING COUPLINGS				
SIZE	CODE	QTY	a	Za
15mm x 10mm	SB011510	5*	52mm	4mm
22mm x 15mm	SB012215	5*	60mm	5mm
28mm x 22mm	SB012822	1	67mm	5mm
35mm x 28mm	SB013528E	1	94mm	8mm
42mm x 35mm	SB014235E	1	118mm	2mm
54mm x 42mm	SB015442E	1	129mm	2mm

*Singles also available - add -s to the code

WORKING PRESSURES AND TEMPERATURES

SIZE	PIPE	PRESSURE/TEMPERATURE			
10mm	PEX or PB	12 Bar / - 20°C	12 Bar / 20°C	6 Bar / 65°C	6 Bar / 95°C
	Copper	16 Bar / - 24°C	16 Bar / 30°C	10 Bar / 65°C	6 Bar / 95°C
15mm	PEX or PB	12 Bar / - 20°C	12 Bar / 20°C	6 Bar / 65°C	6 Bar / 95°C
	Copper/Carbon Steel	20 Bar / - 24°C	20 Bar / 30°C	16 Bar / 65°C	10 Bar / 120°C
22mm	PEX or PB	12 Bar / - 20°C	12 Bar / 20°C	6 Bar / 65°C	6 Bar / 95°C
	Copper/Carbon Steel	20 Bar / - 24°C	20 Bar / 30°C	16 Bar / 65°C	10 Bar / 120°C
28mm	PEX or PB	12 Bar / - 20°C	12 Bar / 20°C	6 Bar / 65°C	6 Bar / 95°C
	Copper/Carbon Steel	20 Bar / - 24°C	20 Bar / 30°C	16 Bar / 65°C	10 Bar / 120°C
35mm	Copper/PEX/Carbon Steel	16 Bar / - 24°C	16 Bar / 30°C	10 Bar / 65°C	6 Bar / 95°C
42mm	Copper/PEX/Carbon Steel	16 Bar / - 24°C	16 Bar / 30°C	10 Bar / 65°C	6 Bar / 95°C
54mm	Copper/PEX/Carbon Steel	16 Bar / - 24°C	16 Bar / 30°C	10 Bar / 65°C	6 Bar / 95°C



DEMOUNTABLE



ULTRA LOW
LEAD DZR



ELECTRICALLY
CONTINUOUS



INSTANTLY
REUSABLE



FITTING MATERIALS

COMPONENT	MATERIAL
Body	Ultra low lead DZR
O Ring	Ethylene Polypropylene Diene Monomer (EPDM)
15, 22 & 28mm Cartridge	304 Stainless Steel
35, 42 & 54mm Cartridge	Polyphenylsulfone (PPSU)
Grab Ring	316 Stainless Steel
Disconnecting Ring	Acetal Copolymer
Alignment Ring	Nylon 6

GUARANTEE

As a result of the rigorous manufacturing and quality controls and also internal long term test results, all SharkBite fittings are guaranteed against defects in materials or manufacturing for a period of 25 years from the date of purchase.

APPROVALS

SharkBite Fittings are approved by WRAS under approval number 1311328 for 10mm – 28mm & 1409103 for 35mm – 54mm.



PIPE COMPATABILITY

COPPER

Copper pipe manufactured in accordance with BS EN 1057 in sizes 10mm to 54mm. If 10mm annealed Copper pipe is being used, it must be re-calibrated in accordance with Table 4 R250 tolerances in the above standard and a Copper liner installed into the pipe prior to assembly.

PEX

SharkBite cross linked Polyethylene (PEX) manufactured to BS 7291: Part 3 in sizes 10mm to 54mm utilising the specific manufacturer's pipe liner.

POLYBUTYLENE

Polybutylene (PB) manufactured to BS 7291: Part 2 when utilising the specific manufacturer's liner.



CARBON TUBE

Carbon Steel pipe manufactured to EN 10305 – 2.

ELECTRICAL CONTINUITY

SharkBite fittings are TRaC certified to provide electrical continuity when used with Copper or Carbon Steel pipe with the exception of 10mm fittings.



Reliance Worldwide Corporation (UK) Ltd. Worcester Road, Evesham, Worcs. WR11 4RA, UK
Tel: +44 (0)1386 712400 Fax: +44 (0)1386 712401 Web: www.rwc.co.uk

As part of our continuous improvement programme, RWC reserve the right to amend and update product specification. E&OE