

U.I. Lapp GmbH	DATASHEET	
	SKINTOP® CLICK	53112688 14.11.2013

Fewer parts, counter nut no longer needed
 Save up to 70% of the time with the innovative CLICK system
 Simple, free assembly in any position
 Vibration protection
 No thread required



Good chemical resistance



Wide clamping range



Assembly time



Temperature-resistant



UV-resistant



Variety of approval certifications

Info

The most innovative cable insertion system in the market for a fast and highly flexible assembly. Simply click in - turn to the left - turn to the right - finished. The result: fixed, centred, strain-relieved fitting and maximum protection class in a few seconds.

Application range

Automation technology
 Solar applications
 Control cabinet manufacturing
 Measurement, control and electrical applications
 Air-conditioning technology

Norm references / Approvals

UL File Nr. E79903

Included

Included: disassembly tool

Remark

Photographs are not to scale and do not represent detailed images of the respective products.

Product Management	Document: SKINTOP® CLICK	1 / 3
--------------------	--------------------------	-------

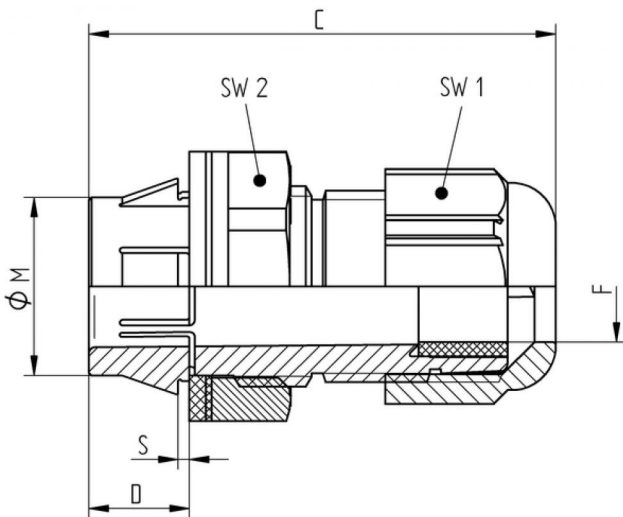
U.I. Lapp GmbH	DATASHEET	
	SKINTOP® CLICK	53112688 14.11.2013

Technical Data

Article designation / size:	CLICK 25
Clamping range ØF (mm):	9 - 17
M (hole in mm):	25.3 (-0.2)
SW1/SW2 mm:	30 / 34
Overall length, C (mm):	48,5
Thread length, D (mm):	8
Wall thickness, S (mm):	1 - 4
Pieces / PU:	25
Colour delivered:	Silver grey (RAL 7001) Light grey (RAL 7035) Black (RAL 9005), UV-resistant
Material:	Body: special polyamide Seal: special elastomer
Protection rating:	IP 68 - 4 bar (M12) IP 68 - 5 bar (M16 - M32)
Temperature range:	Dynamic: -20°C to +100°C Fixed: -40°C to +100°C

Product Management	Document: SKINTOP® CLICK	2 / 3
--------------------	--------------------------	-------

U.I. Lapp GmbH	DATASHEET	 LAPP GROUP
	SKINTOP® CLICK	53112688 14.11.2013



Product Management	Document: SKINTOP® CLICK	3 / 3
--------------------	--------------------------	-------