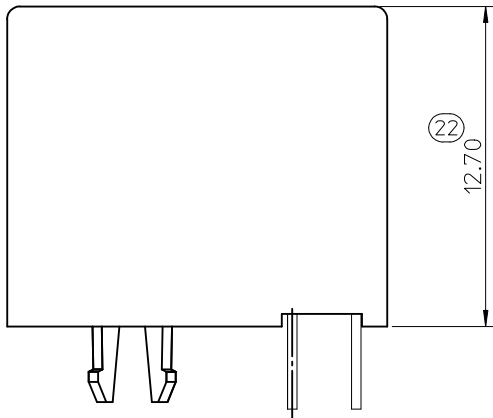


NOTES :

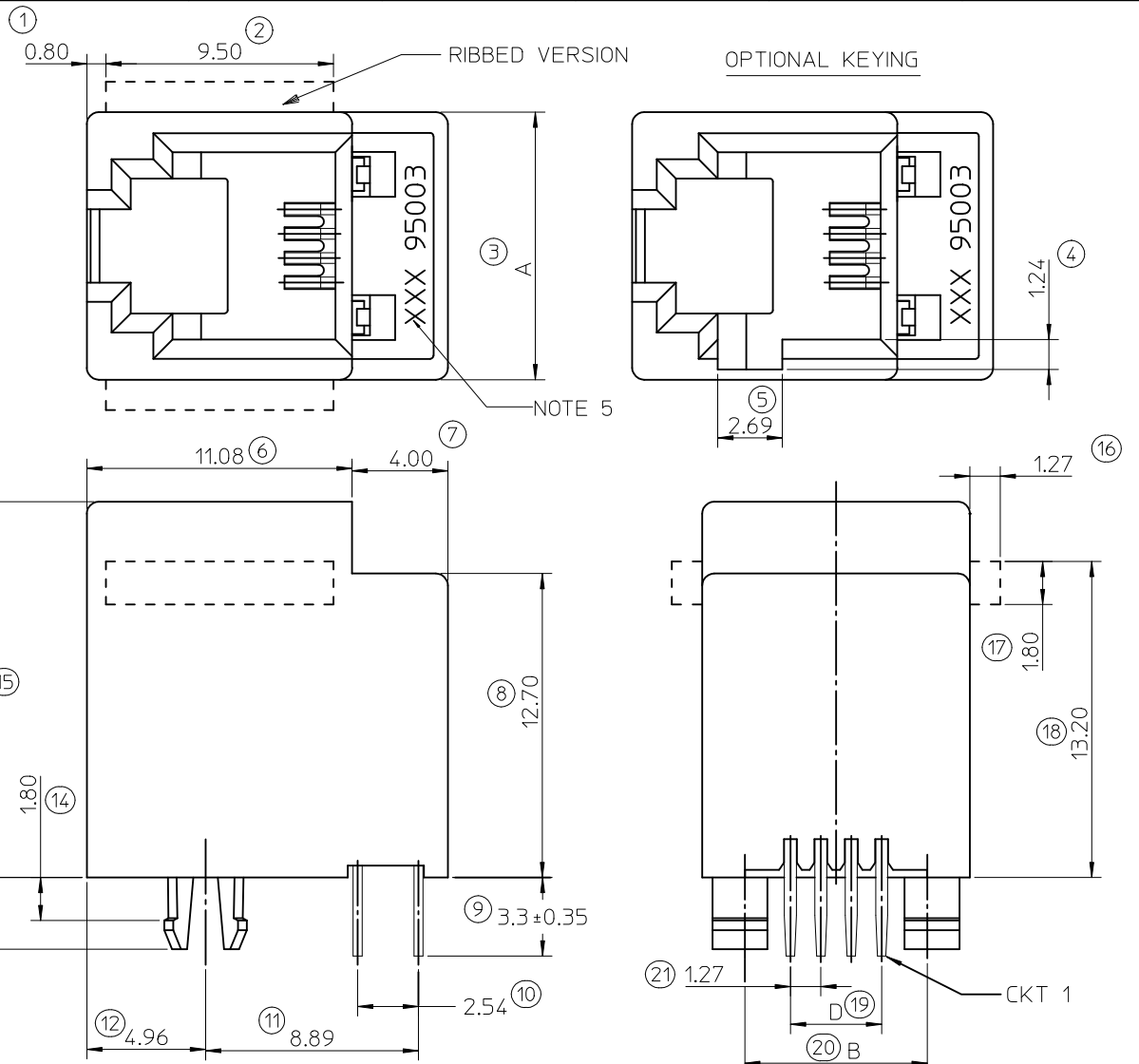
1- MATERIAL:

- HOUSING: LCP FIBER GLASS FILLED UL 94-V0
COLOR BLACK.
- TERMINAL: COPPER ALLOY
- BASE FINISH: NICKEL
- CONTACT SURFACE FINISH
GOLD
OR
GOLD FLASH OVER PALLADIUM NICKEL
EXCEEDS PRODUCT REQUIREMENTS BASED ON PS-95503-001
- 2- JACK FOR MATING WITH F.C.C. 68 PLUGS
90075 MOLEX SERIES.
- 3. P.C.B. THICKNESS: 1.57
- 4- PRODUCT SPECIFICATION PS-95503-001
- 5- PACKAGING SPECIFICATION:
 - STANDARD PACKAGING PK-95003 SHEET 1.
 - TUBE PACKAGING FOR SMT VERSION PK-95003 SHEET 2.
 - TUBE PACKAGING FOR THROUGH HOLE VERSION
PK-95003 SHEET 3.
 - TAPE AND REEL PACKAGING FOR THROUGH HOLE PK-95503-001.
- 6- MANUFACTURING I.D. CAN BE MXF, MG OR MXI.
INSPECTION NUMBERS USED: 1 - 50
LAST INSPECTION NUMBER: 22

| TYPE DIM. | POS. 4 | POS. 6 | | POS. 8 |
|--------------|---------|---------|---------|---------|
| | 4 CKTS. | 4 CKTS. | 6 CKTS. | 8 CKTS. |
| A | 11.18 | 13.21 | 13.21 | 15.24 |
| B | 7.62 | 10.16 | 10.16 | 11.43 |
| D | 3.81 | 3.81 | 6.35 | 8.89 |



SHORT VERSION



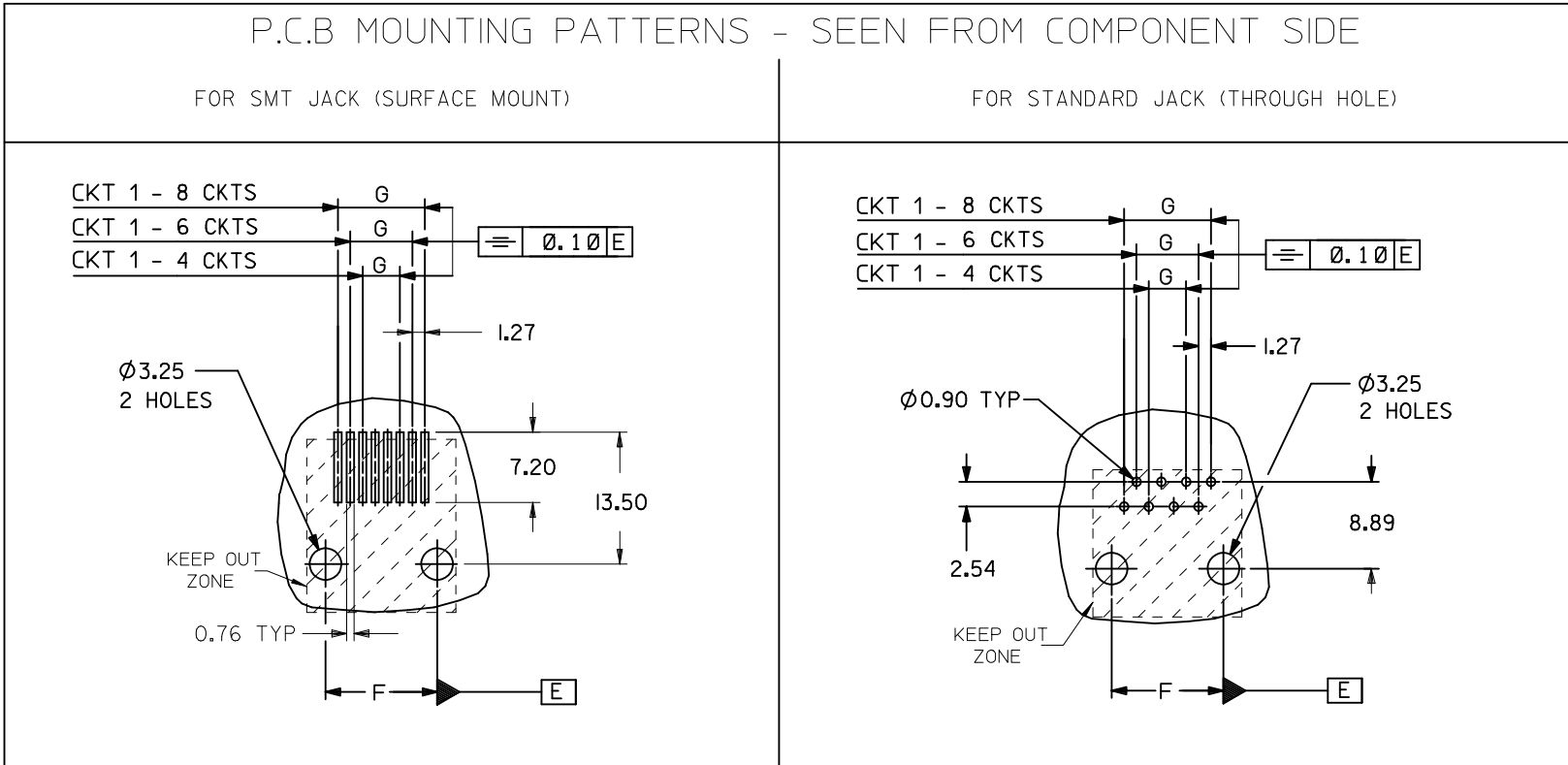
| MODIFIED PLATING OPTION EC NO: IPG2012-0589 DRW: DBYRNES 2012/03/29 CHKD: MSHAHAN 2012/03/30 APPR: EFOLAN 2012/06/28 | QUALITY SYMBOLS ▽=0 ◻=0 | GENERAL TOLERANCES (UNLESS SPECIFIED) <table border="1"> <thead> <tr> <th></th> <th>mm</th> <th>INCH</th> </tr> </thead> <tbody> <tr> <td>4 PLACES</td> <td>± ---</td> <td>± ---</td> </tr> <tr> <td>3 PLACES</td> <td>± ---</td> <td>± ---</td> </tr> <tr> <td>2 PLACES</td> <td>± 0.15</td> <td>± ---</td> </tr> <tr> <td>1 PLACE</td> <td>± 0.25</td> <td>± ---</td> </tr> </tbody> </table> ANGULAR ± .5 ° | | mm | INCH | 4 PLACES | ± --- | ± --- | 3 PLACES | ± --- | ± --- | 2 PLACES | ± 0.15 | ± --- | 1 PLACE | ± 0.25 | ± --- | DIMENSION STYLE MM ONLY DRAWN BY: TMARTIN DATE: 2005/06/15 CHECKED BY: FCARABETTA DATE: 2005/06/15 APPROVED BY: KNOLLER DATE: 2005/06/15 | SCALE 5:1 | DESIGN UNITS METRIC | THIRD ANGLE PROJECTION |
|---|-------------------------------|---|-------|------------------------------------|-------------------------------------|----------------------------|-------|-------|----------|-------|-------|----------|--------|-------|---------|--------|-------|--|---------------------|-------------------------------|------------------------|
| | | mm | INCH | | | | | | | | | | | | | | | | | | |
| | 4 PLACES | ± --- | ± --- | | | | | | | | | | | | | | | | | | |
| | 3 PLACES | ± --- | ± --- | | | | | | | | | | | | | | | | | | |
| 2 PLACES | ± 0.15 | ± --- | | | | | | | | | | | | | | | | | | | |
| 1 PLACE | ± 0.25 | ± --- | | | | | | | | | | | | | | | | | | | |
| LOW PROFILE TOP ENTRY JACK (THROUGH HOLE VERSION) | | | | | | | | | | | | | | | | | | | | | |
| MOLEX INCORPORATED | | | | | | | | | | | | | | | | | | | | | |
| DRAFT WHERE APPLICABLE MUST REMAIN WITHIN DIMENSIONS | | | | MATERIAL NO. SEE SHT 4,5 | DOCUMENT NO. SD-95503-003 | SHEET NO. 1 OF 5 | | | | | | | | | | | | | | | |

| TYPE DIM. | POS. 4 | POS. 6 | | POS. 8 |
|--------------|---------|---------|---------|---------|
| | 4 CKTS. | 4 CKTS. | 6 CKTS. | 8 CKTS. |
| F ±0.05 | 7.62 | 10.16 | 10.16 | 11.43 |
| G ±0.05 | 3.81 | 3.81 | 6.35 | 8.89 |

P.C.B MOUNTING PATTERNS - SEEN FROM COMPONENT SIDE

FOR SMT JACK (SURFACE MOUNT)

FOR STANDARD JACK (THROUGH HOLE)



NOTES:
ALL DIMENSIONS REF DIMENSIONS

| | | | | | | | |
|--|-----------------|--|---|---|----------------------|------------------------|------------------|
| REMOVED INCHES EC NO: E2012-0079 DRWN: JCONNOR 2011/03/04 CHKD: APPR: EFOLAN 2011/09/28 REV | QUALITY SYMBOLS | GENERAL TOLERANCES (UNLESS SPECIFIED) | DIMENSION STYLE | SCALE | DESIGN UNITS | THIRD ANGLE PROJECTION | |
| | ▽=0 Ⓢ=0 | mm INCH 4 PLACES ± --- ± --- 3 PLACES ± --- ± --- 2 PLACES ± 0.15 ± --- 1 PLACE ± 0.25 ± --- ANGULAR ± .5 ° | MM ONLY | 1:1 | METRIC | | |
| | | DRAFT WHERE APPLICABLE MUST REMAIN WITHIN DIMENSIONS | DRAWN BY DATE TMARTIN 2005/06/15 CHECKED BY DATE FCARABETTA 2005/06/15 APPROVED BY DATE KNOLLER 2005/06/15 | TITLE | LOW PROFILE T/E JACK | | |
| | | | MATERIAL NO. | SEE SHT. 4, 5 | DOCUMENT NO. | MOLEX INCORPORATED | |
| | | | SIZE A3 | THIS DRAWING CONTAINS INFORMATION THAT IS PROPRIETARY TO MOLEX INCORPORATED AND SHOULD NOT BE USED WITHOUT WRITTEN PERMISSION | | | SHEET NO. 3 OF 5 |

| HOUSING SIZE | LOADED CONTACTS |
|--------------|-----------------|
| 4 | 4 |
| 6 | 4 |
| 6 | 6 |
| 8 | 8 |

— PART NO FOR JACK ASSEMBLY —
THROUGH HOLE STANDARD VERSION

| LCP FIBER GLASS FILLED 94V0 COLOR BLACK | | | | | |
|--|--------|------------|--------|--|--------|
| NO KEY | TOOLED | KEY | TOOLED | | TOOLED |
| NO RIB | TOOLED | NO RIB | TOOLED | | TOOLED |
| 95503-2441 | X | | | | |
| 95503-2641 | X | | | | |
| 95503-2661 | X | | | | |
| 95503-2881 | X | 95503-2882 | X | | |

TRAY PACKAGING
SEE PACKAGING SPEC PK-95003 SHEET 1

— PART NO FOR JACK ASSEMBLY —
THROUGH HOLE SHORT VERSION

| LCP FIBER GLASS FILLED 94V0 COLOR BLACK | | | | | |
|--|--------|--------|--------|--|--------|
| NO KEY | TOOLED | KEY | TOOLED | | TOOLED |
| NO RIB | TOOLED | NO RIB | TOOLED | | TOOLED |
| 95503-2884 | X | | | | |

TRAY PACKAGING
SEE PACKAGING SPEC PK-95003 SHEET 1

— PART NO FOR JACK ASSEMBLY —
THROUGH HOLE STANDARD VERSION

| LCP FIBER GLASS FILLED 94V0 COLOR BLACK | | | | | |
|--|--------|--------|--------|--|--------|
| NO KEY | TOOLED | KEY | TOOLED | | TOOLED |
| NO RIB | TOOLED | NO RIB | TOOLED | | TOOLED |
| 95503-2440 | X | | | | |
| 95503-2640 | | | | | |
| 95503-2660 | | | | | |
| 95503-2880 | X | | | | |

TAPE AND REEL PACKAGING
SEE PACKAGING SPEC PK-95503 SHEET 1

| | |
|------------|---|
| TOOLED | X |
| NOT TOOLED | |

NOTES:

PLATING: SEE SHEET ONE

| | | | | | | | |
|---|-----------------|---|---|---|---|------------------------|-----------|
| ADDED PLATING OPTION EC NO: IPG2013-0151 DRW: DBYRNES 2012/07/31 CHK: SMC GREVY 2012/07/31 APPR: J WALLACE 2012/07/31 | QUALITY SYMBOLS | GENERAL TOLERANCES (UNLESS SPECIFIED) | DIMENSION STYLE MM ONLY | SCALE --- | DESIGN UNITS METRIC | THIRD ANGLE PROJECTION | |
| | ▽=0 ◻=0 | mm INCH 4 PLACES ± --- ± --- 3 PLACES ± --- ± --- 2 PLACES ± --- ± --- 1 PLACE ± --- ± --- ANGULAR ± ---° | DRAWN BY: TMARTIN DATE: 2005/06/16 CHECKED BY: FCARABETTA DATE: 2005/06/16 APPROVED BY: KNOLLER DATE: 2005/06/16 | TITLE | LOW PROFILE T/E JACK THROUGH HOLE VERS. | | |
| | | DRAFT WHERE APPLICABLE MUST REMAIN WITHIN DIMENSIONS | SEE CHART | MOLEX INCORPORATED | | DOCUMENT NO. | SHEET NO. |
| | | | | SD-95503-003 | | | 4 OF 5 |
| | | | | THIS DRAWING CONTAINS INFORMATION THAT IS PROPRIETARY TO MOLEX INCORPORATED AND SHOULD NOT BE USED WITHOUT WRITTEN PERMISSION | | | |