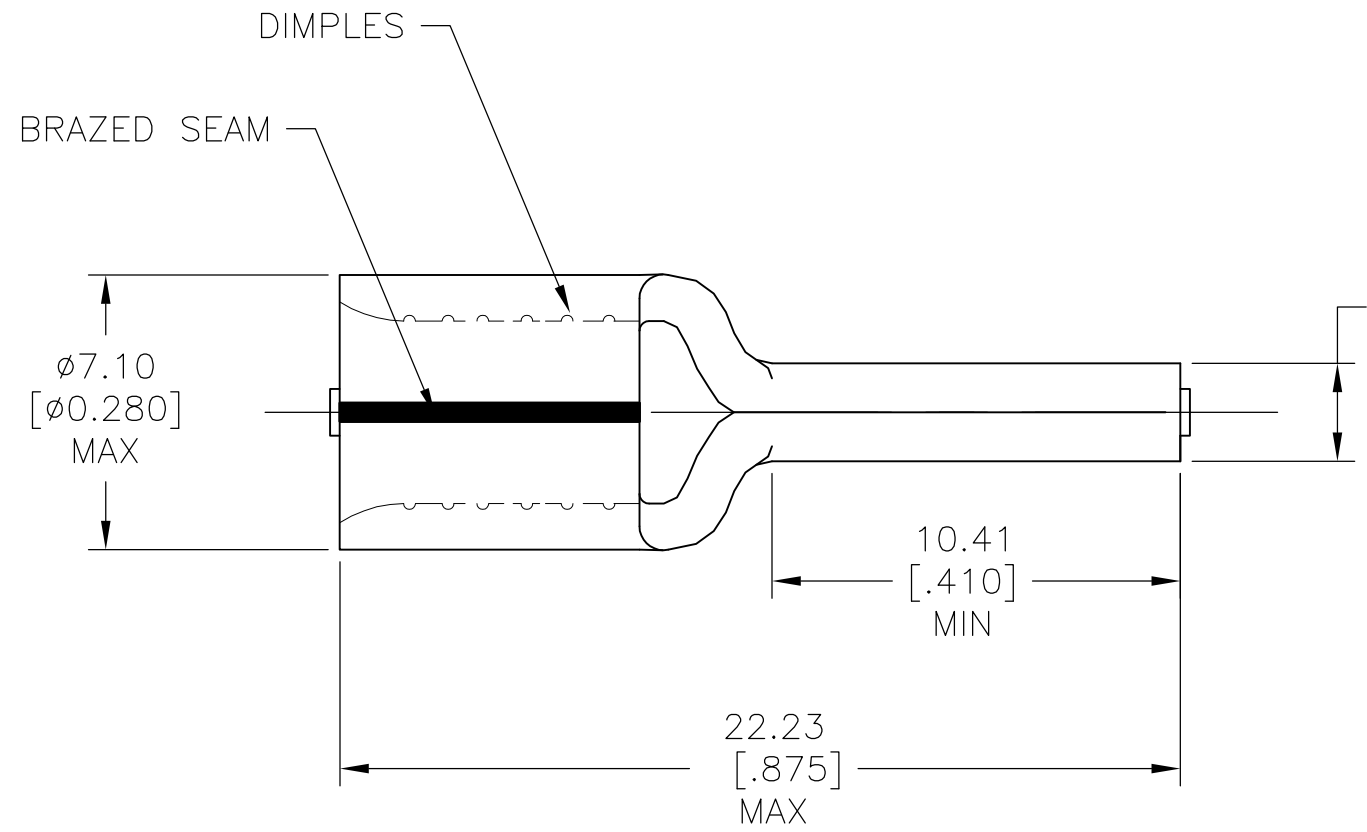


THIS DRAWING IS UNPUBLISHED. RELEASED FOR PUBLICATION
 © COPYRIGHT - By - ALL RIGHTS RESERVED.

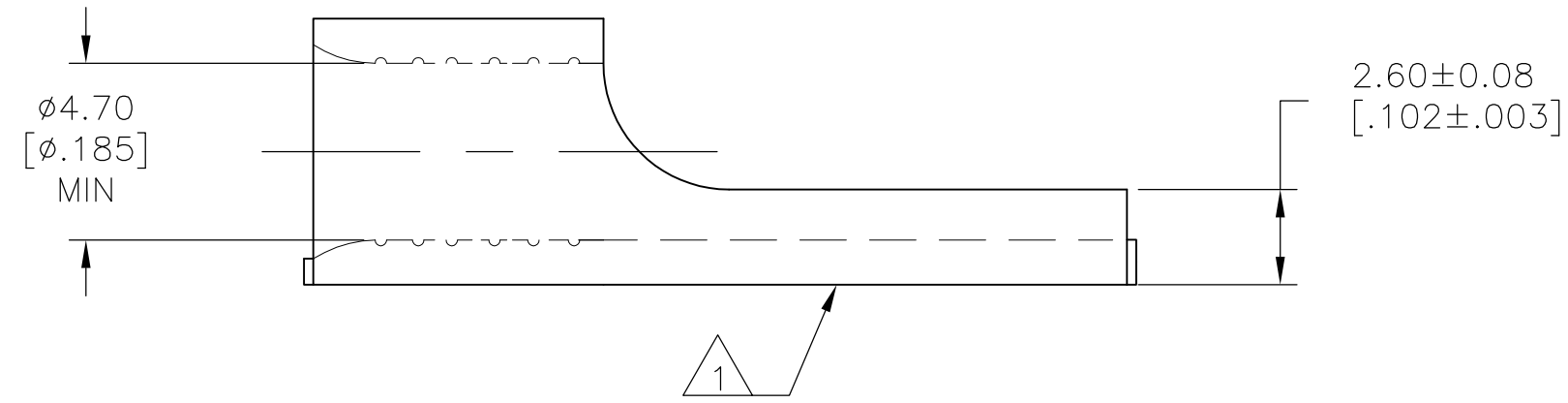
LOC	DIST	REVISIONS			
P	LTR	DESCRIPTION	DATE	DWN	APVD
G	01	C3	REVISED PER ECO-14-003208	12MAR2014	NK DR



- △ 1 STAMP AMP 8 APPROX AS SHOWN
- △ 2 COPPER PER ASTM B-152
- △ 3 TIN PLATE 0.00254 [.000100] MIN THK PER ASTM B-545

AMP
WIRE RANGE

8 AWG
STRANDED



500	△ 3	LOOSE PIECE	180599
QTY.	FINISH	PACKAGE TYPE.	PART NO.

AMP INCORPORATED
CUSTOMER SERVICE SYSTEMS

FOR ADDITIONAL PRODUCT INFORMATION OR COPIES OF DRAWINGS AND TECHNICAL DOCUMENTS	PRODUCT INFORMATION CENTER 1-800-522-6752
FOR APPLICATION TOOLING INFORMATION	TOOLING ASSISTANCE CENTER 1-800-722-1111
FOR ORDER ENTRY	1-800-526-5142

MAX RECOMMENDED OPERATING TEMPERATURE:
170°C [338°F]

VOLTAGE RATING:
N/A

CIRCULAR MIL AREA:
6.64-10.50mm² [13,100-20,800] STRANDED

THIS DRAWING IS A CONTROLLED DOCUMENT.

DIMENSIONS: mm [INCHES]	TOLERANCES UNLESS OTHERWISE SPECIFIED:
	0 PLC ± -
	1 PLC ± -
	2 PLC ± -
	3 PLC ± -
	4 PLC ± -
	ANGLES ± 5°

MATERIAL: △ 2
FINISH: SEE TABLE

DWN	jr_ruth	05APR07
CHK	T MICHELUTTI	05APR07
APVD	T MICHELUTTI	05APR07
PRODUCT SPEC	-	
APPLICATION SPEC	-	
WEIGHT	-	

STE TE Connectivity

NAME: WIRE PIN SOLISTRAND

SIZE	CAGE CODE	DRAWING NO	RESTRICTED TO
A3	00779	C-180599	-

CUSTOMER DRAWING SCALE: 5:1 SHEET: 1 OF 1 REV: C3