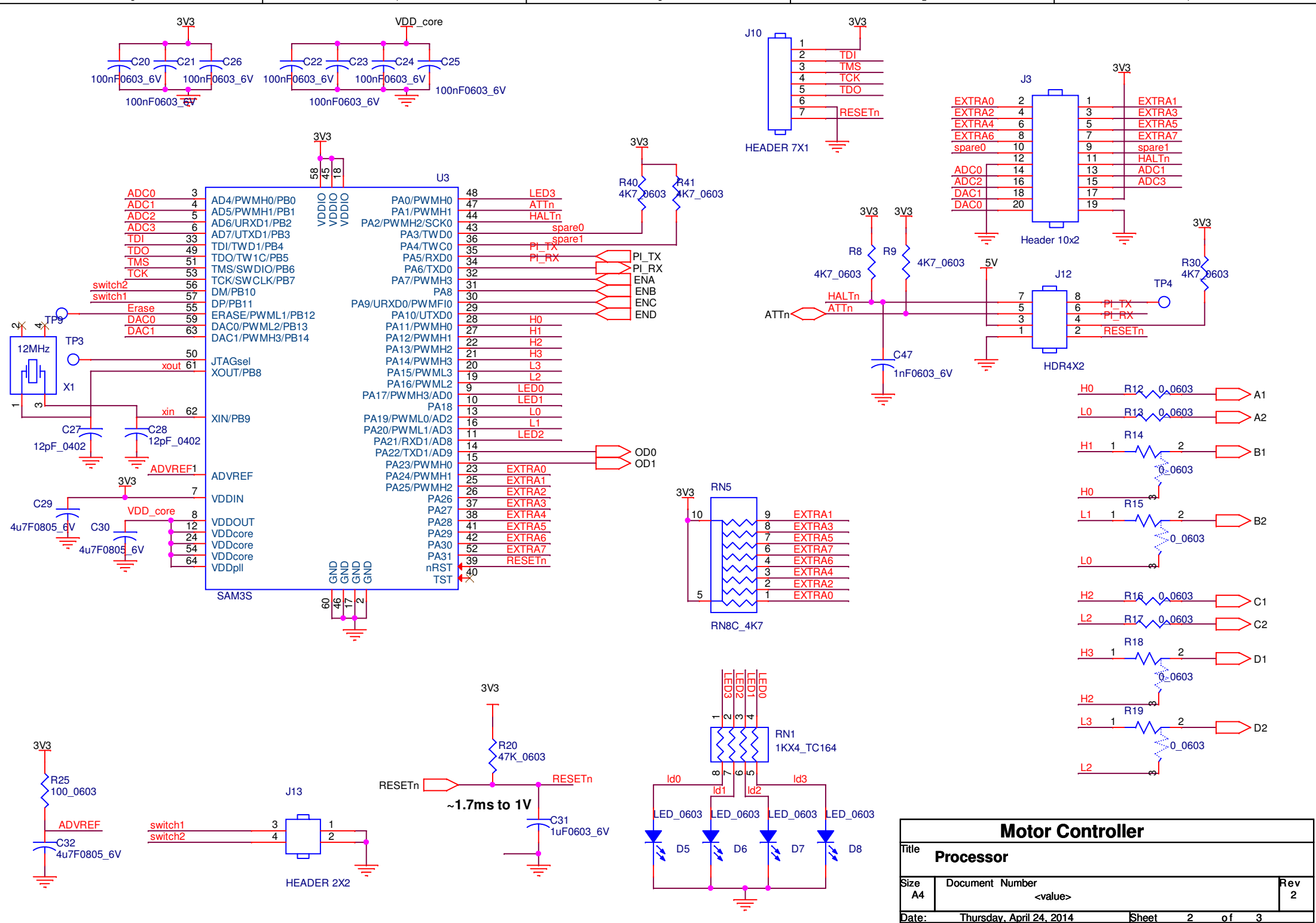
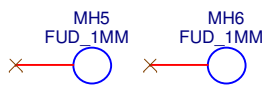
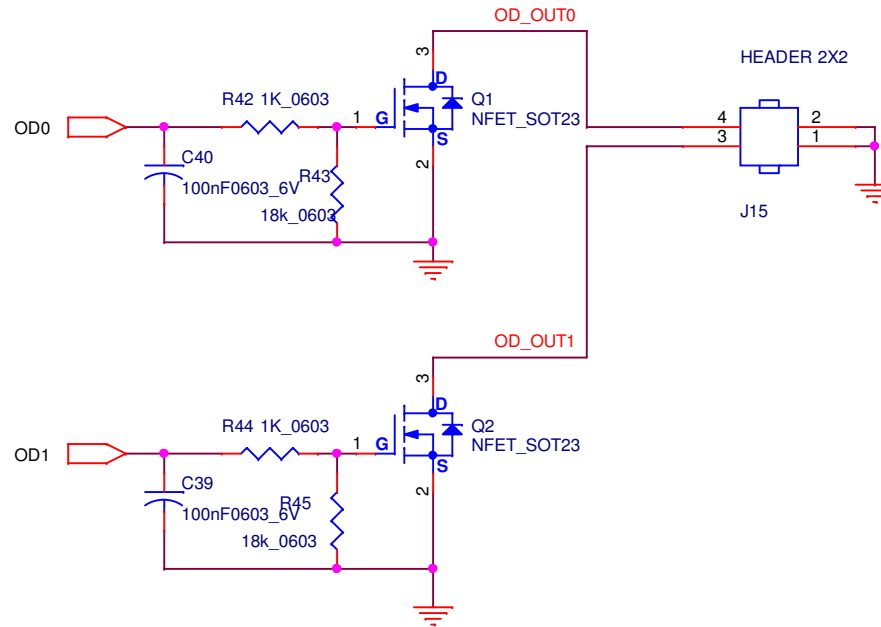
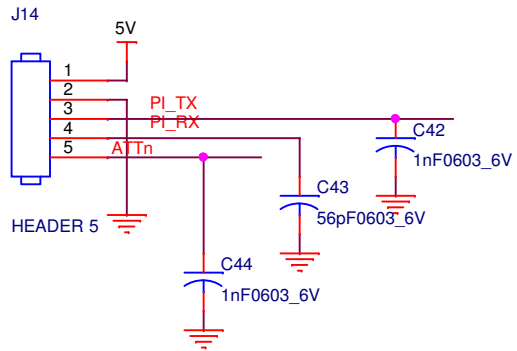
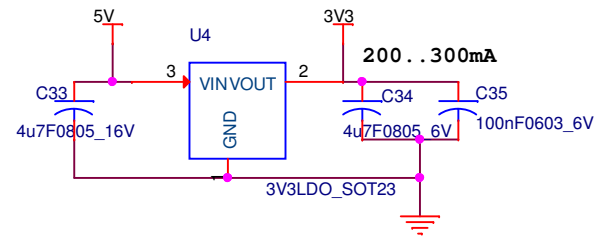
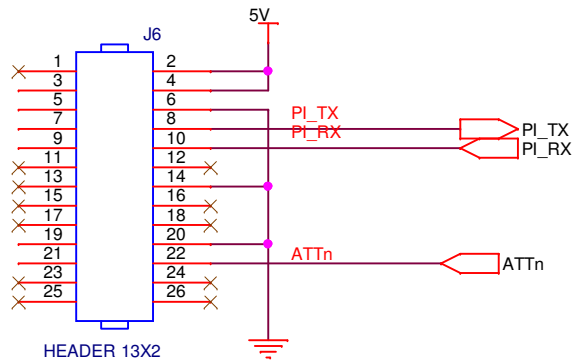


<b>Motor controller</b>		
Title		<b>H-bridges</b>
Size A4	Document Number	Rev 2
Date	Monday, May 12, 2014	Sheet 1 of 3



<b>Motor Controller</b>		
Title <b>Processor</b>		
Size A4	Document Number <value>	Rev 2
Date:	Thursday, April 24, 2014	Sheet 2 of 3



Motor controller		
Title <b>I/O</b>		
Size A4	Document Number	Rev 2
Date: Monday, April 28, 2014	Sheet 3	of 3