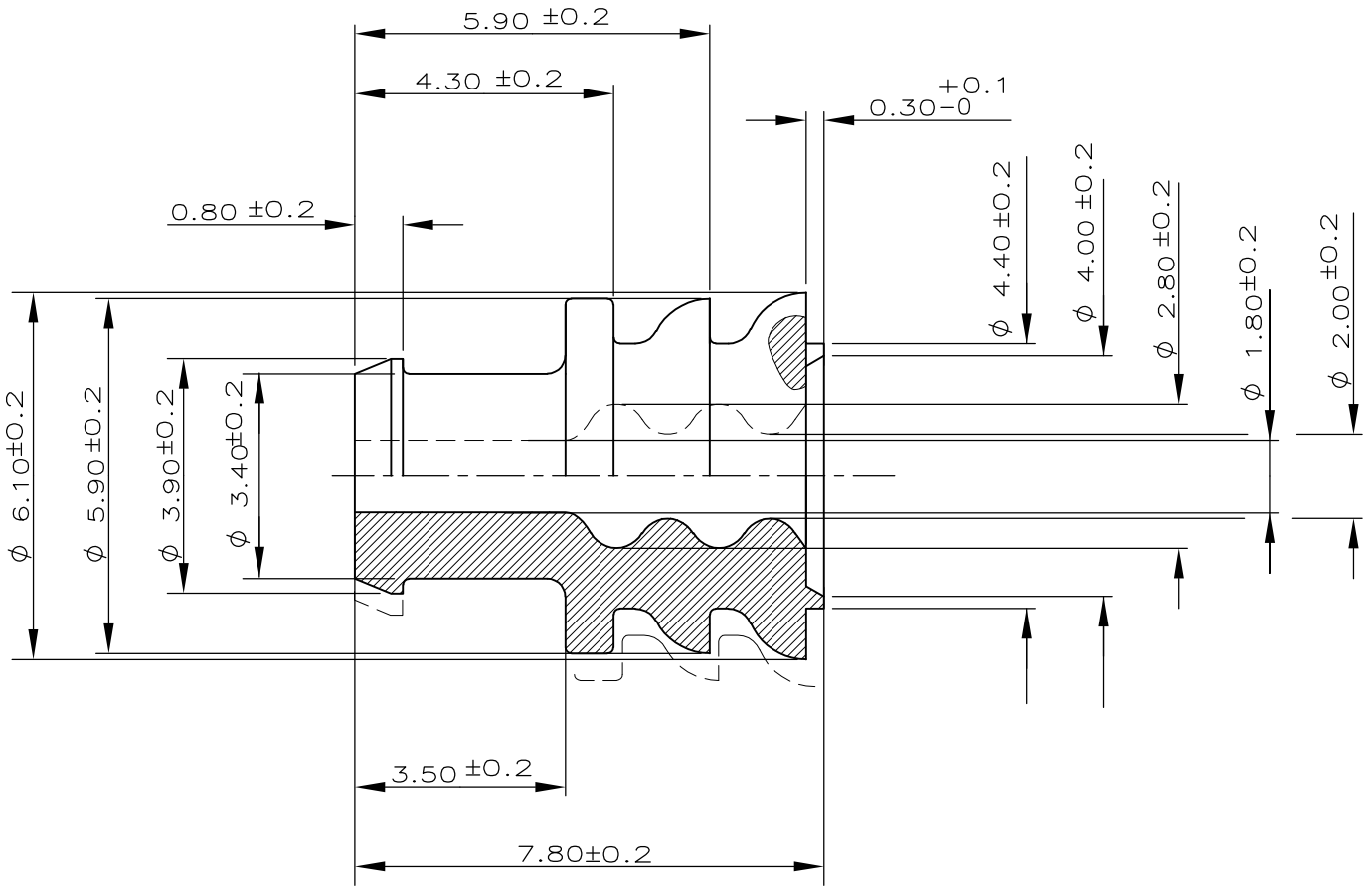


LOC I	DIST —	REVISIONS			
P	LTR	DESCRIPTION	DATE	DWN	APVD
	H1	REVISED PER ECO-11-005033	02APR11	RK	HMR



RELEASED FOR PUBLICATION

ALL RIGHTS RESERVED.

THIS DRAWING IS UNPUBLISHED.

By -  
COPYRIGHT -

**METRIC**

DIAM. ISOLANTE  
(INS. DIA. RANGE)  
2.5-3.3mm

RANGO FILO  
(WIRE RANGE)

ROSSO-RED

GOMMA AL SILICONE  
SILICONE RUBBER

281934-3

FINITURA / COLORE  
(FINISH / COLOUR)

MATERIALE  
(MATERIAL)

NUMERO  
(PART NUMBER)

CUSTOMER DWG.  
FOR REFERENCE ONLY

DISEGNO PER CLIENTE  
SOLO PER RIFERIMENTO

DIMENSIONS:  
mm

DWN  
C.BERTINI 10-89

MATERIAL - FINISH -

CHK  
A.BRUNI 10-89

APVD -

PRODUCT SPEC -

APPLICATION SPEC -

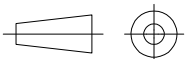
WEIGHT -

NAME  
WIRE SEAL

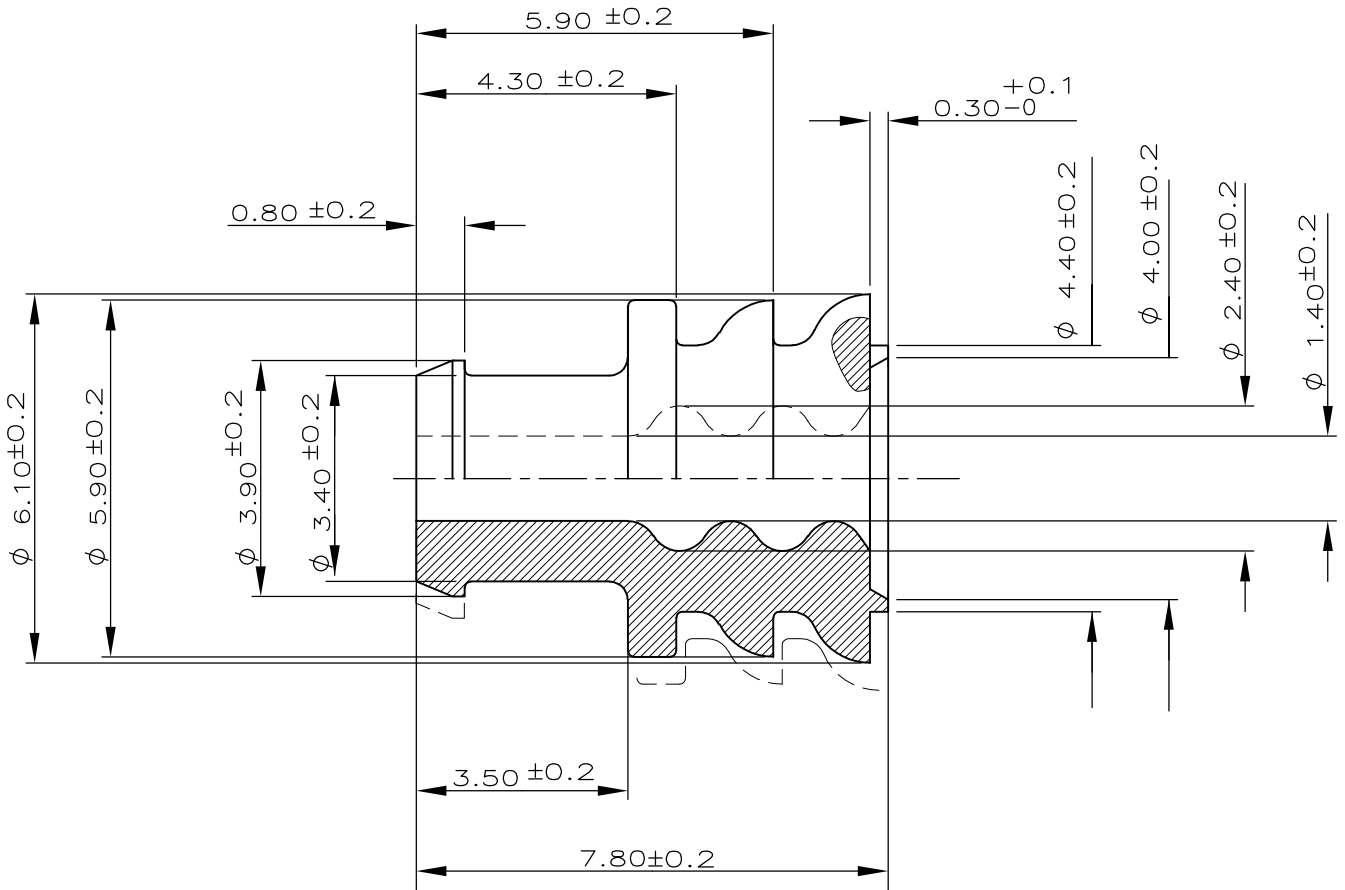
SIZE A4 CAGE CODE 00779 DRAWING NO C-281934 RESTRICTED TO -

CUSTOMER DRAWING SCALE - SHEET 1 OF 3 REV H1

- 0 PLC ± -
- 1 PLC ± 0.3
- 2 PLC ± -
- 3 PLC ± -
- 4 PLC ± -
- ANGLES ± 2°



LOC I	DIST —	REVISIONS			
P	LTR	DESCRIPTION	DATE	DWN	APVD
	—	SEE SHEET 1	—	—	—



RELEASED FOR PUBLICATION

ALL RIGHTS RESERVED.

THIS DRAWING IS UNPUBLISHED.

By —  
COPYRIGHT —

**METRIC**

DIAM. ISOLANTE  
(INS. DIA. RANGE)  
1.7–2.4mm

RANGO FILO  
(WIRE RANGE)

GIALLO—YELLOW

GOMMA AL SILICONE  
SILICONE RUBBER

281934–2

FINITURA / COLORE  
(FINISH / COLOUR)

MATERIALE  
(MATERIAL)

NUMERO  
(PART NUMBER)

CUSTOMER DWG.  
FOR REFERENCE ONLY

DISEGNO PER CLIENTE  
SOLO PER RIFERIMENTO

DIMENSIONS:

mm

TOLERANCES UNLESS  
OTHERWISE SPECIFIED:

- 0 PLC ± —
- 1 PLC ± 0.3
- 2 PLC ± —
- 3 PLC ± —
- 4 PLC ± —
- ANGLES ± 2°

DWN

CHK

APVD

PRODUCT SPEC

APPLICATION SPEC

WEIGHT

MATERIAL

FINISH



TE Connectivity

NAME

WIRE SEAL

SIZE

CAGE CODE

DRAWING NO

RESTRICTED TO

A4

00779

C-281934

—

CUSTOMER DRAWING

SCALE

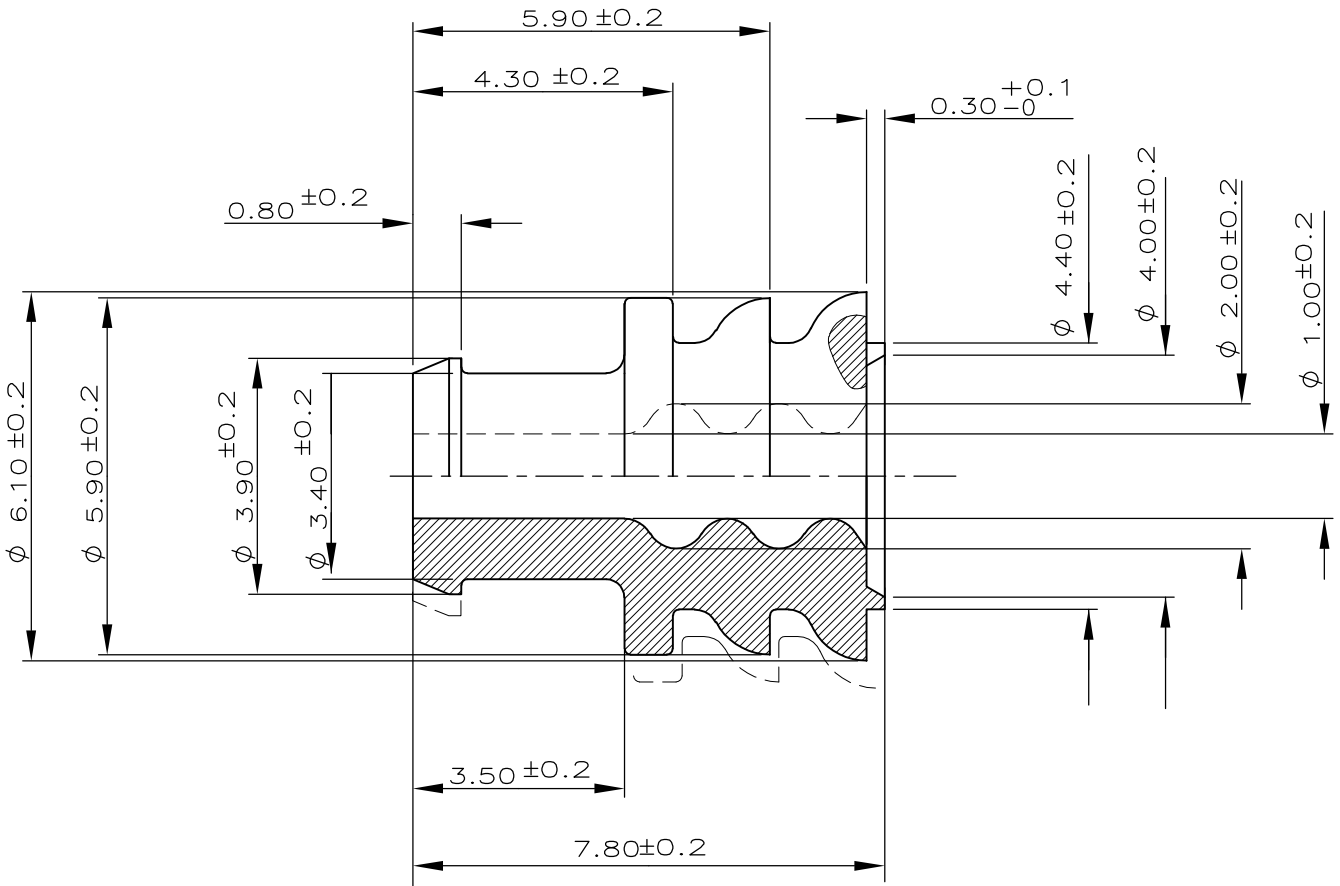
—

SHEET

2 OF 3

REV H1

LOC I	DIST —	REVISIONS			
P	LTR	DESCRIPTION	DATE	DWN	APVD
	—	SEE SHEET 1	—	—	—



RELEASED FOR PUBLICATION

ALL RIGHTS RESERVED.

THIS DRAWING IS UNPUBLISHED.

By —  
COPYRIGHT —


**METRIC**

DIAM. ISOLANTE  
(INS. DIA. RANGE)  
1.2–1.6mm

RANGO FILO  
(WIRE RANGE)

VERDE-GREEN	GOMMA AL SILICONE SILICONE RUBBER	281934-4
FINITURA / COLORE (FINISH / COLOUR)	MATERIALE (MATERIAL)	NUMERO (PART NUMBER)

CUSTOMER DWG. FOR REFERENCE ONLY	DISEGNO PER CLIENTE SOLO PER RIFERIMENTO
-------------------------------------	---

DIMENSIONS: mm	DWN	—	MATERIAL	—	FINISH	—
	CHK	—	 TE Connectivity			
TOLERANCES UNLESS OTHERWISE SPECIFIED:	APVD	—				
0 PLC ± — 1 PLC ± 0.3 2 PLC ± — 3 PLC ± — 4 PLC ± — ANGLES ± 2°	PRODUCT SPEC	—	NAME WIRE SEAL			
	APPLICATION SPEC	—	SIZE	CAGE CODE	DRAWING NO	RESTRICTED TO
WEIGHT	—	A4	00779	C-281934	—	—
CUSTOMER DRAWING			SCALE	—	SHEET	3 OF 3
					REV	H1