

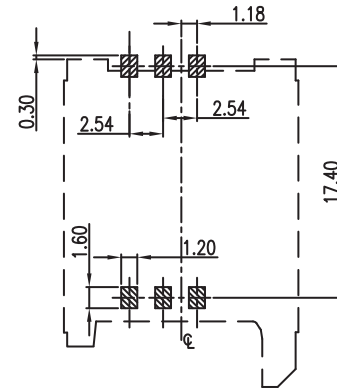
1

2

3

4

5



PCB LAYOUT - COMPONENT VIEW

## TECHNICAL CHARACTERISTICS

MATERIAL  
 INSULATOR: LCP  
 FLAMABILITY RATING: UL94-V0  
 COLOR: BLACK  
 CONTACT MATERIAL: COPPER ALLOY  
 CONTACT TYPE: STAMPED  
 CONTACT PLATING: SELECTIVE GOLD  
 LATCH: STAINLESS STEEL  
 QUALITY CLASS: 5000 MATING CYCLES

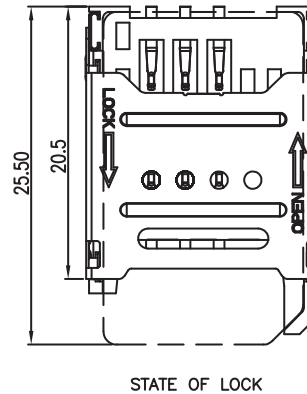
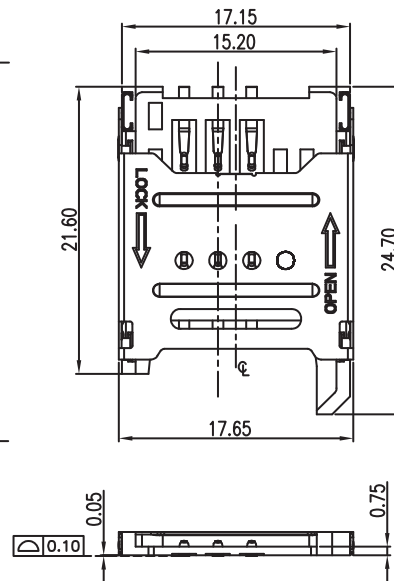
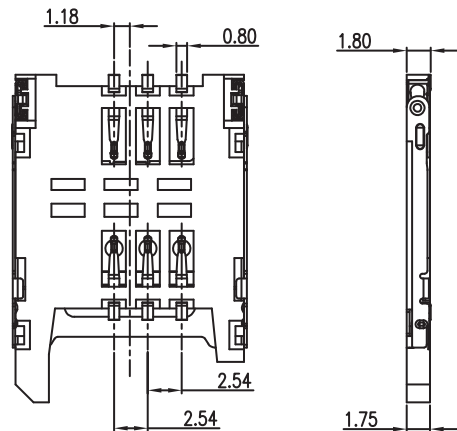
ENVIRONMENTAL  
 OPERATING TEMPERATURE: -25 UP TO 85°C  
 COMPLIANCE: LEAD FREE AND ROHS

ELECTRICAL  
 CURRENT RATING: 1A  
 WORKING VOLTAGE: 250 VAC  
 INSULATOR RESISTANCE: >100 MΩ  
 DIELECTRIC WITHSTANDING VOLTAGE: 100VAC/MN  
 CONTACT RESISTANCE: 100 mΩ MAX

SOLDERING  
 JEDEC LEAD FREE REFLOW SOLDERING PROCESS

PACKAGING  
 TAPE & REEL

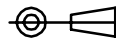
PIN NO.	PIN NAME
C1	Supply Voltage Vcc
C2	Reset (RST)
C3	Clock (CLK)
C4	N/A
C5	Ground
C6	Programming Voltage Vpp
C7	I/O
C8	N/A



STATE OF LOCK

RoHS Compliant

PROJECTION:



GENERAL TOLERANCE

.X = +/- 0.2

.XX = +/- 0.15



APPROVAL: RJ

UNIT: MM

SCALE:

SHEET: 1/2

DRAW:

DESCRIPTION: WR-CRD Mini SIM - Hinge type - 6 pins

WERI PART NO: 693 012 040 811

SIZE

A4

REV	DATE	FILE	BY
G			
F			
E			
D			
C			
B	12-MAY-14	DWG UPDATE	QL
A	08-JUL-12	PDF	GG

