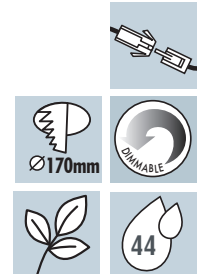


ZEN7 LED DOWN LIGHT KIT 22W ~ 7" | 90lm/W



- Bright lumen output, low glare
- High Efficiency LED chip and reflector system
- Quick connect external dimmable driver included compatible with trailing edge dimmer
- Energy savings of 85% & low maintenance costs
- Anodised aluminium heat sink
- Long life - 50k hours
- 100° beam angle

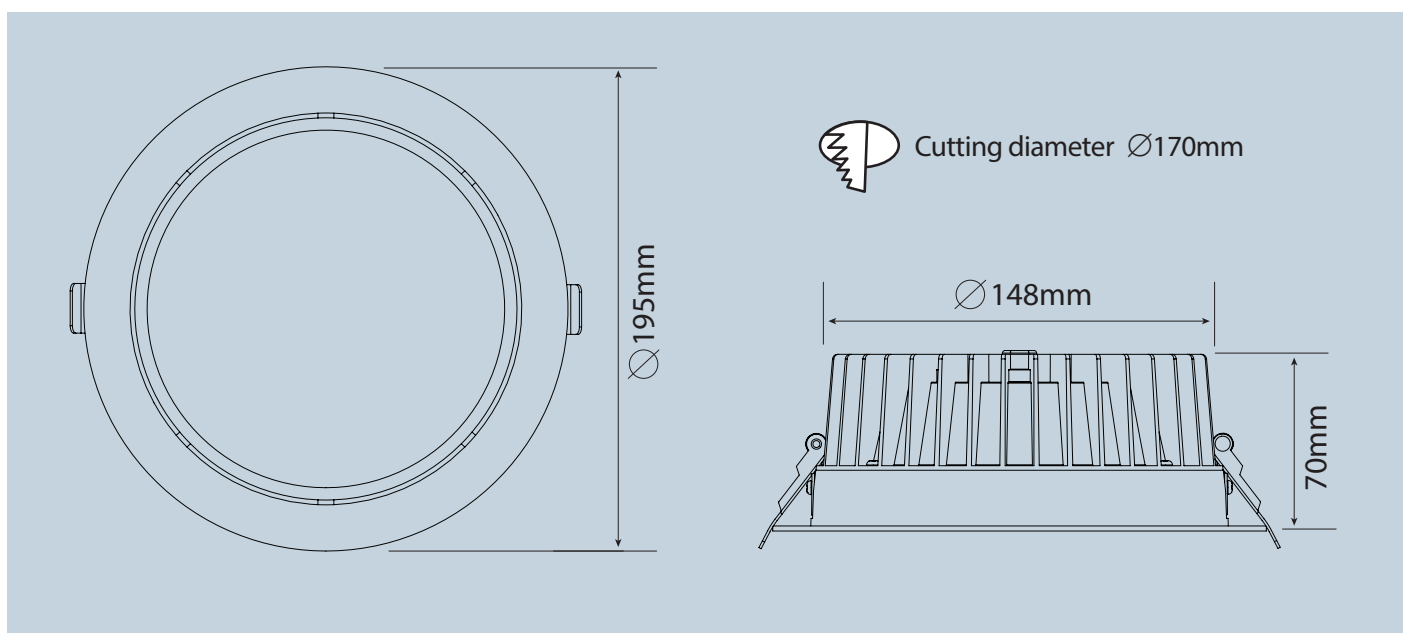


ZEN ~ 7" Specification

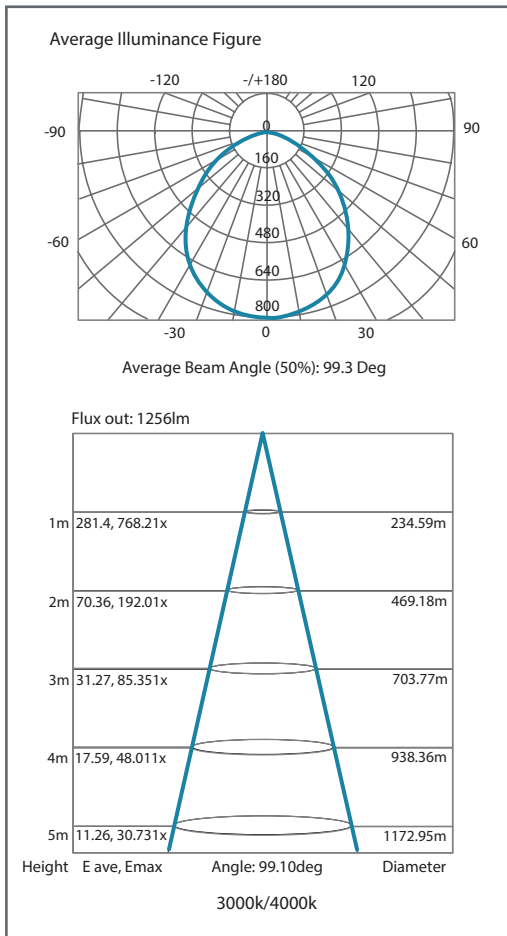
Model Number	ZEN7 22W3K-W	ZEN7 22W4K-W	ZEN7 22W3K-SN	ZEN7 22W4K-SN
Fitting Colour	White	White	Satin Nickel	Satin Nickel
Input Current	700mA			
Input Voltage	32V			
Power	22W			
Lumens	1900lm	2000lm	1900lm	2000lm
Colour (K)	3000	4000	3000	4000
Lumen Field Angle	100°			
Working Temperature	-20°C ~ +40°C			
CRI	80			
Weight	660g			
Dimensions	Ø195 x 70mm			

Optional
Emergency
pack available
~ EP3

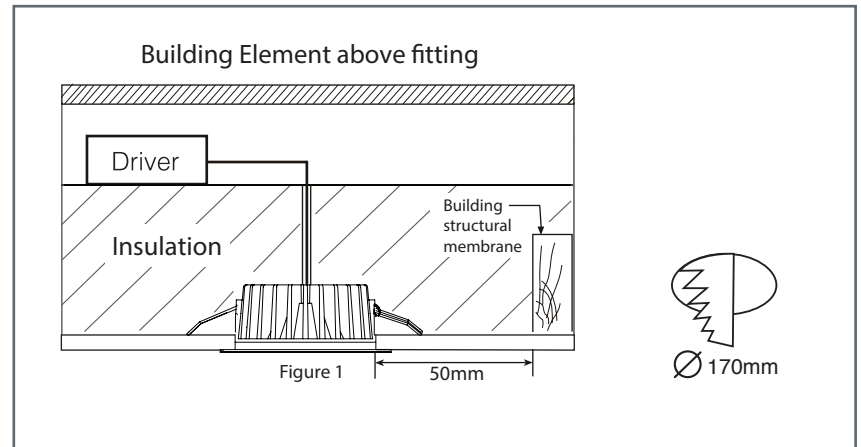
Mechanical Diagrams



Photometrics



Installation



Driver Connection

