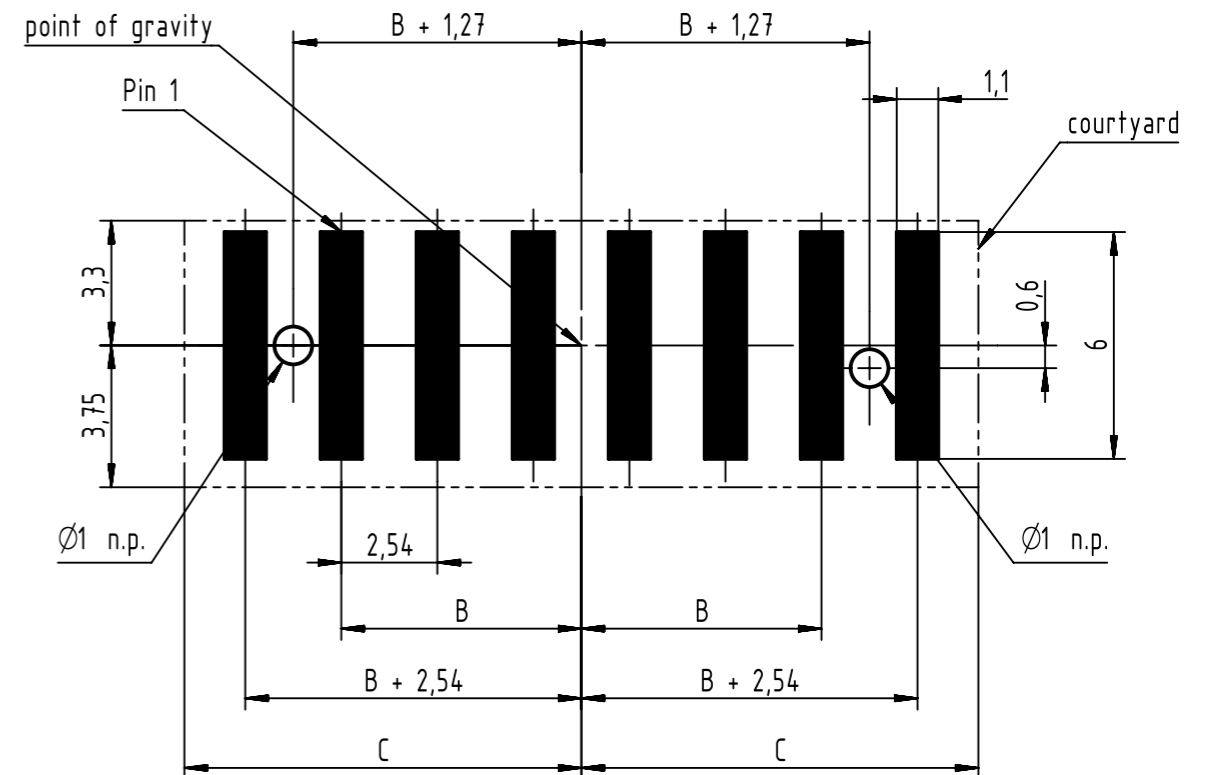


footprint and courtyard / component area



further information see: DS 14111400301

12	14111213001XXX	27,94	35,79	13,97	18,12
11	14111113001XXX	25,40	33,25	12,7	16,85
10	14111013001XXX	22,86	30,71	11,43	15,58
9	14110913001XXX	20,32	28,17	10,16	14,31
8	14110813001XXX	17,78	25,63	8,89	13,04
7	14110713001XXX	15,24	23,09	7,62	11,77
6	14110613001XXX	12,70	20,55	6,35	10,5
5	14110513001XXX	10,16	18,01	5,08	9,23
4	14110413001XXX	7,62	15,47	3,81	7,96
3	14110313001XXX	5,08	12,93	2,54	6,69
2	14110213001XXX	2,54	10,39	1,27	5,42
number of contacts	part-number	L = 2,54 x (pole -1)	A	B = L/2	C

	All rights reserved Department EC PD - DE	Created by HASSE	Inspected by FRIESENH	Standardisation KOHLER	Date 2013-10-09	State Final Release	Ref. Sub.
HARTING Electronics GmbH D-32339 Espelkamp		Title har-flexicon male connector, vertical			Doc-Key / ECM-Nr. 100228421/UGD/046/C 50000067057		Rev. C
		Type TB	Number 1411XX13001XXX				Page 1/1