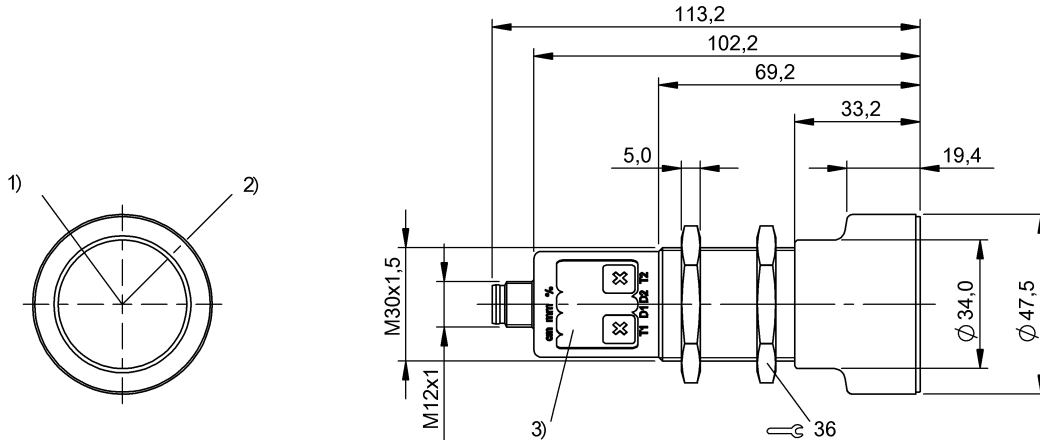


BUS M30M1-PPX-35/340-S92K
Ordering code: BUS003P

Ultrasonic sensor
M30

Connector, M12x1-S92
Working range 350...5000 mm
PNP (1x), antivalent

BALLUFF
sensors worldwide



Characteristic data

Design
Short-circuit protected
Protected against polarity reversal
Setting

Cylinder, converter, straight
yes
yes
Detection range (3 levels), Factory setting (reset), Filter strength (10 levels), Foreground suppression range, Hysteresis, Key disable on/off, Measured value filter, Mode, Multiplex sensor address, Multiplex speed, NO/NC, Response delay 0 to 20 s, Segment displ. bright/dark/off, Sensor calibration, Switching distance, 2 values, Synchronisation on/off, Synchronous/Multiplex mode, Teach-in mode display/button, Temperature comp. on/off

Hysteresis H max. 50 mm
Switching frequency f 4 Hz
Response time max. 172 ms
Output current max. 200 mA
Ultrasonic frequency 120 kHz
Synchronisation internal, max. 10 sensors

Mechanical data

Resolution 0,180 mm
Connector type M12x1-S92
Sensing surface material PU foam, epoxy resin, glass
Housing material Brass, PBT, TPU
Resolution 0,180 mm
Repeat accuracy ±0.15 %
Operating temperature min. -25 °C
Operating temperature max. +70 °C
Cover material PBT
Range min. 350 mm
Range max. 5000 mm
Temperature compensation yes, can be disengaged

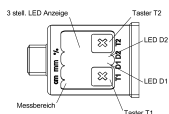
Electrical data

Operating voltage
Rated operating voltage Ue DC
Switching output

9...30 V DC
24.0 V
PNP (1x)

Basic data

Enclosure Type per IEC 60529 IP67



BUS M30M1-PPX-35/340-S92K
Ordering code: BUS003P

Ultrasonic sensor
M30

Connector, M12x1-S92
Working range 350...5000 mm
PNP (1x), antivalent

BALLUFF
sensors worldwide

