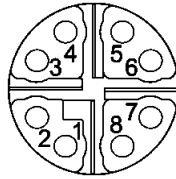


har-speed M12 Panel feed-through X-coded



Mating face



X-coding
Mating face
acc. to IEC 61076-2-101



Identification

Part No.

Drawing

Dimensions in mm

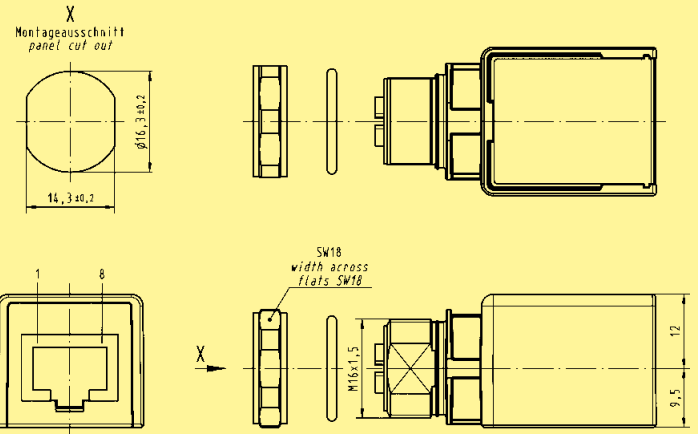
har-speed M12
Adapter M12-RJ45



straight, Cat. 6A

Panel thickness
min. 2.1 mm
max. 4.5 mm

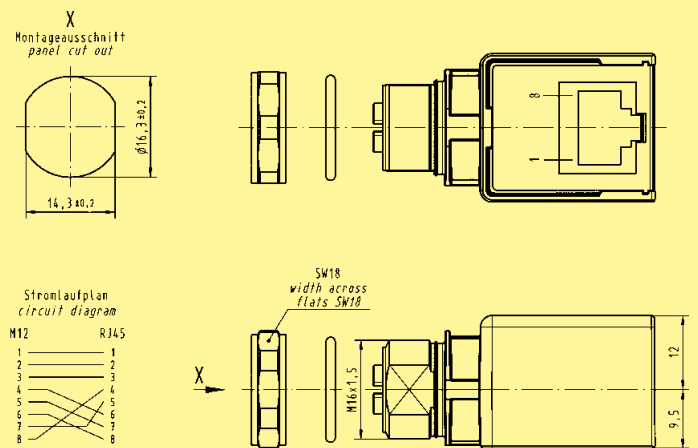
21 03 381 2800



angled, Cat. 6A

Panel thickness
min. 2.1 mm
max. 4.5 mm

21 03 381 4800



04

04
07