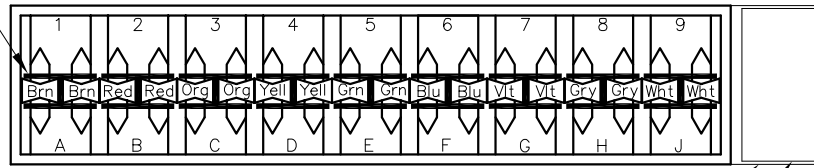


THIRD ANGLE PROJECTION

GANG BAR COLOURS TO MATCH MATING SLIDERS

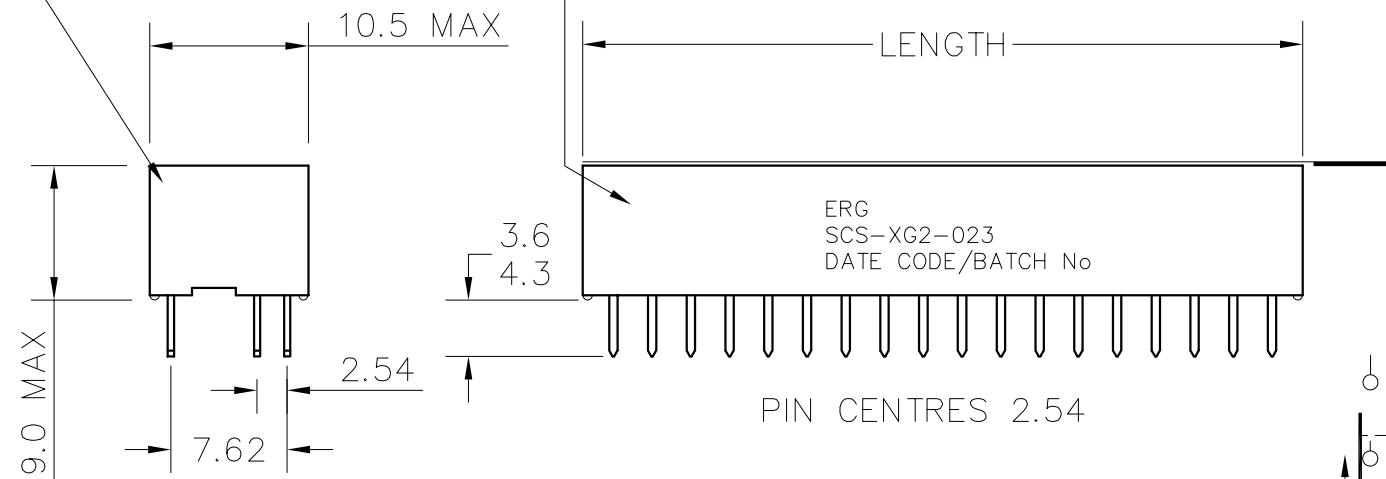
ENSURE SLIDERS ARE IN 'UP' POSITION



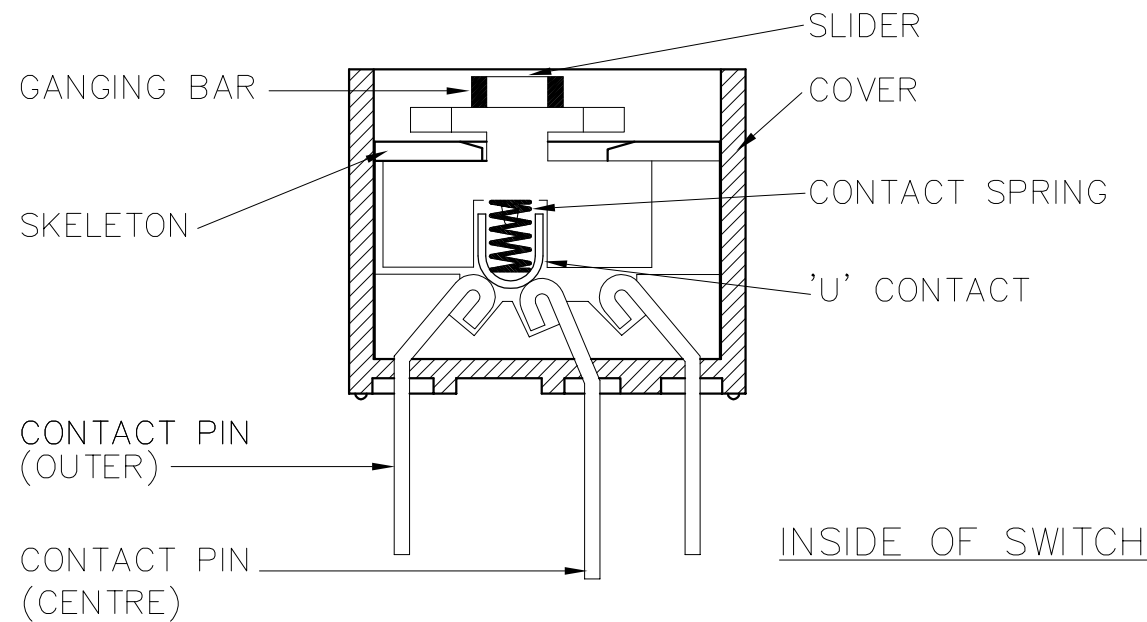
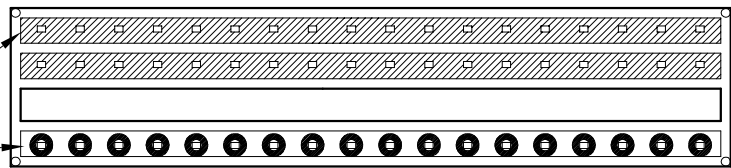
SEALING TAPE-ESM1539

LABEL-PP71858

MARKING UP TO 3 POLE ON END ABOVE 3 POLE MARKING ON SIDE FACE AS SHOWN. SEE AS31534 FOR MARKING



BASE SEALING EPOXY-ESM1420 OR EPOXY PREFORM- PP71958 (ON OUTER PINS ONLY)



DESCRIPTION	PART No.	WEIGHT grms. PER 1000	STYLE										
			1-023	2-023	3-023	4-023	5-023	6-023	7-023	8-023	9-023		
BROWN SLIDER	Brn PP70621	32.6	2	2	2	2	2	2	2	2	2	2	
RED SLIDER	Red PP70622	32.6		2	2	2	2	2	2	2	2	2	
ORANGE SLIDER	Org PP70623	32.6			2	2	2	2	2	2	2	2	
YELLOW SLIDER	Yell PP70624	32.6				2	2	2	2	2	2	2	
GREEN SLIDER	Grn PP70625	32.6					2	2	2	2	2	2	
BLUE SLIDER	Blu PP70626	32.6						2	2	2	2	2	
VIOLET SLIDER	Vlt PP70627	32.6							2	2	2	2	
GREY SLIDER	Gry PP70628	32.6									2	2	
WHITE SLIDER	Wht PP70629	32.6										2	
BROWN GANGING BAR	PP71947	12.2	1	1	1	1	1	1	1	1	1	1	
RED GANGING BAR	PP71948	12.2		1	1	1	1	1	1	1	1	1	
ORANGE GANGING BAR	PP71949	12.2			1	1	1	1	1	1	1	1	
YELLOW GANGING BAR	PP71950	12.2				1	1	1	1	1	1	1	
GREEN GANGING BAR	PP71951	12.2					1	1	1	1	1	1	
BLUE GANGING BAR	PP71952	12.2						1	1	1	1	1	
VIOLET GANGING BAR	PP71953	12.2							1	1	1	1	
GREY GANGING BAR	PP71954	12.2									1	1	
WHITE GANGING BAR	PP71955	12.2										1	
COVER	LENGTH MAX	6.7	PP71282	407	1								
		11.8	PP71284	604		1							
		16.8	PP71286	851			1						
		21.9	PP71288	1048				1					
		27.0	PP71290	1332					1				
		32.1	PP71292	1398						1			
		37.2	PP71294	1641							1		
		42.2	PP71296	1942								1	
MARKED SKELETONS		AS30800	156.3	1	1	1	1	1	1	1	1	1	1
		AS30801	156.3		1	1	1	1	1	1	1	1	1
		AS30802	156.3			1	1	1	1	1	1	1	1
		AS30803	156.3				1	1	1	1	1	1	1
		AS30804	156.3					1	1	1	1	1	1
		AS30805	156.3						1	1	1	1	1
		AS30806	156.3							1	1	1	1
		AS30807	156.3									1	1
AS30808	156.3										1		
CONTACT SPRING	PP71592	4.52	2	4	6	8	10	12	14	16	18		
'U' CONTACT	AS30948	10.2/1K2	2	4	6	8	10	12	14	16	18		
CONTACT PIN (OUTER)	PP71762	22.5	4	8	12	16	20	24	28	32	36		
CONTACT PIN (CENTRE)	PP71763	22.5	2	4	6	8	10	12	14	16	18		

ISS	DATE	REVISION
1	28.10.97	ISSUED (4293)
2	17.2.99	WEIGHT OF PARTS UPDATED. (4377)
3	7.7.99	SLIDER NOTE CHANGED. (4441)
4	14.12.99	MARKING UP TO 3 POLE WAS 4 POLE. (4493)

DRG No. ED57389-97

ALL DIMENSIONS IN MILLIMETRES UNLESS OTHERWISE STATED.		SCALE N.T.S.	TOLERANCES UNLESS SHOWN OTHERWISE TO TWO DECIMAL PLACES ± 0.1mm TO ONE DECIMAL PLACE ± 0.2mm ANGULAR DIMENSIONS ± 1°
MAT'L		THIS DRAWING AND SPECIFICATIONS AND DATA CONTAINED THEREIN ARE THE EXCLUSIVE PROPERTY OF ERG INDUSTRIAL CORP.LTD.IT IS ISSUED IN STRICT CONFIDENCE AND SHALL NOT,WITHOUT PRIOR WRITTEN CONSENT BE COPIED, REPRODUCED OR DISCLOSED TO A THIRD PARTY. © 1991	
FINISH			
APPROVAL SIGNATURES	DATE		
DRN	K.G-J	28.10.97.	ERG INDUSTRIAL CORP. LTD.
APPD			TITLE SCS-XG2-023 STANDARD
		DRG SIZE	DRG No. ED57389-97
			SHEET OF