

THIS DRAWING IS UNPUBLISHED.

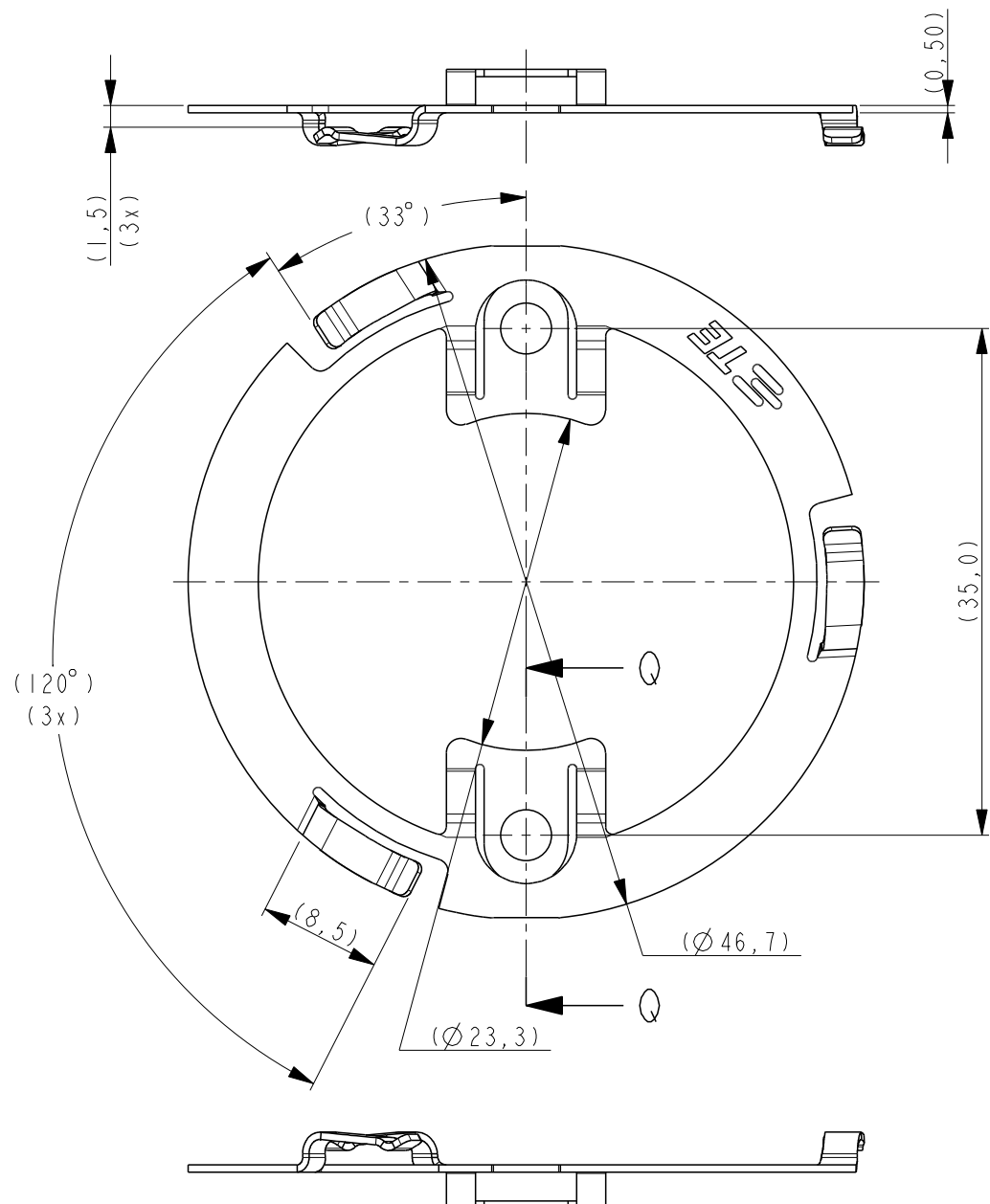
RELEASED FOR PUBLICATION

© COPYRIGHT - BY TYCO ELECTRONICS CORPORATION. ALL RIGHTS RESERVED.

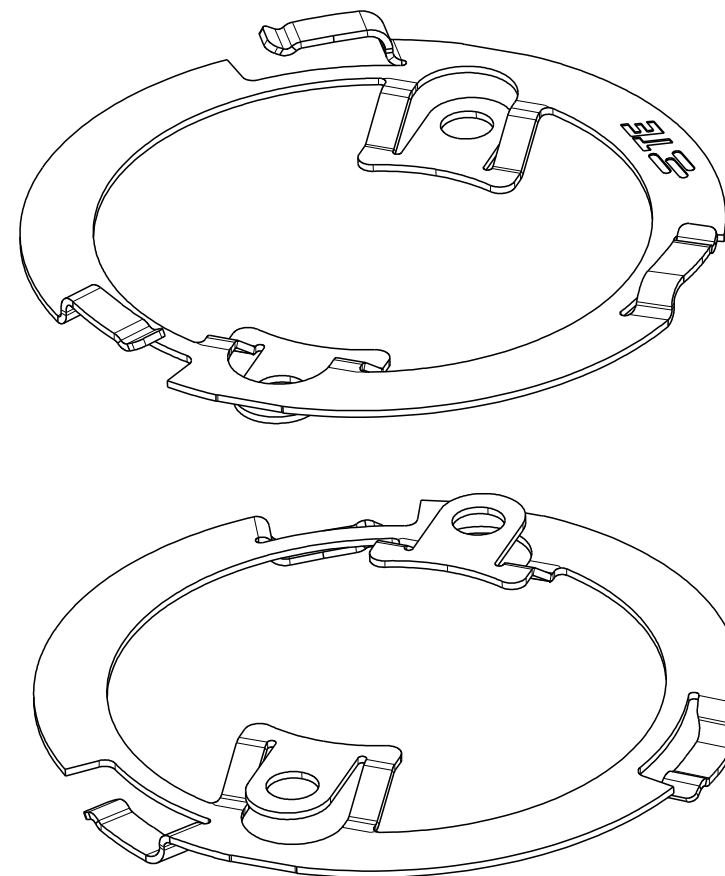
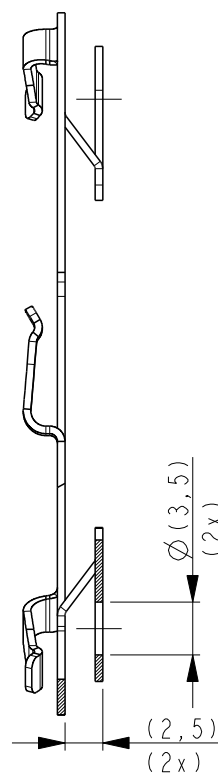
LOC	DIST	REVISIONS					
		P	LTR	DESCRIPTION	DATE	DWN	APVD
H	-		A	RELEASED PER ECR 13-005016	22MAR2013	PP	OL

NOTES:


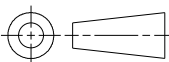
1. MATERIAL: STAINLESS STEEL
2. MUST COMPLY WITH DIRECTIVE 2002/95/EC (ROHS)08 MAX.
3. TO BE USED INLINE WITH z50 ZHAGA COVERS.
4. TO BE USED OPTIC INTERFACE, SEE LAST SHEET.



SECTION Q-Q



PARTNUMBER:
2213194-1

THIS DRAWING IS A CONTROLLED DOCUMENT.		DWN	02NOV2012		 TE Connectivity	
		CHK	06NOV2012			
		APVD	06NOV2012			
		PRODUCT SPEC	-			
DIMENSIONS: mm		TOLERANCES UNLESS OTHERWISE SPECIFIED: 0 PLC ±- 1 PLC ±- 2 PLC ±- 3 PLC ±- 4 PLC ±- ANGLES ±-		NAME		Z50 OPTIC CLIP, TYPE I
		MATERIAL		SIZE		A3
MATERIAL		FINISH		CAGE CODE		00779
				DRAWING NO		C-2213194
				RESTRICTED TO		-
		CUSTOMER DRAWING		SCALE		1:2
				SHEET		1 OF 2
				REV		A

4

3

2

1

THIS DRAWING IS UNPUBLISHED.

RELEASED FOR PUBLICATION

© COPYRIGHT -

BY TYCO ELECTRONICS CORPORATION.

ALL RIGHTS RESERVED.

LOC	DIST	REVISIONS					
		P	LTR	DESCRIPTION	DATE	DWN	APVD
H	-		-	SEE SHEET 1	-	-	-

RECOMMENDED OPTIC INTERFACE:

TOP VIEW

SCALE 1:1

CHAMFER 0.4 MIN. x 45°

SECTION X-X

SEE DETAIL A

BOTTOM VIEW

SECTION A-A

SCALE 3:1

(0.30) MATE DEPTH
(3x) CONTACT

DETAIL A

SCALE 3:1

(0.5)

DETAIL B

SCALE 2:1

SEE DETAIL B

THIS DRAWING IS A CONTROLLED DOCUMENT.		DWN	02NOV2012		STE TE Connectivity
		CHK	P. Poorter 06NOV2012		
		APVD	O. Leijnse 06NOV2012		
		PRODUCT SPEC	O. Leijnse		
DIMENSIONS:		TOLERANCES UNLESS OTHERWISE SPECIFIED:			NAME
mm		0 PLC ±-			Z50 OPTIC CLIP, TYPE I
		1 PLC ±-			
		2 PLC ±-			
		3 PLC ±-			
		4 PLC ±-			
MATERIAL		FINISH			RESTRICTED TO
		WEIGHT			SIZE
					A3
		CUSTOMER DRAWING			CAGE CODE
					00779
					DRAWING NO
					C=2213194
		SCALE			1:2
		SHEET			2 OF 2
		REV			A

1470-19 (3/11)