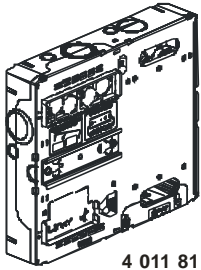


DRIVIA Plates

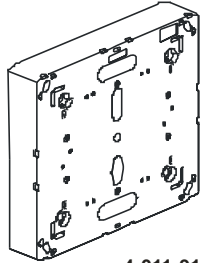
CONTENTS

PAGES

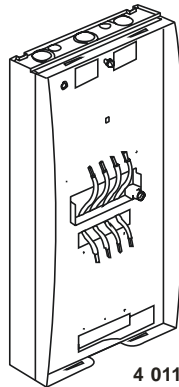
1. Description, use.....	1
2. Range, Cat. No. equivalence table..	1
3. Dimensions.....	1
4. General characteristics.....	2
5. Compliance and approvals.....	2
6. Equipment supplied	3
7. Installation accessories	3



4 011 81



4 011 91



4 011 83

1. DESCRIPTION, USE

Cat. No. 4 011 81

French electricity tariff control panel for CBE or Linky single phase electronic meter and incoming circuit-breaker. Complies with technical specification ERDF-CPT-M&S-Spe10015A
Supplied complete with 16 mm² connection cords

Cat. No. 4 011 91

Plate for subscriber incoming single phase or 3-phase circuit-breaker

Cat. No. 4 011 83

French electricity tariff control panel for 3-phase electronic meter and incoming circuit-breaker
Complies with standard HN 62-S-80
Supplied complete with 16 mm² connection cords

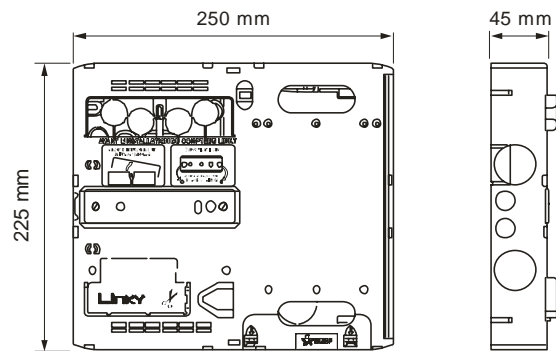
The **4 011 81** and **4 011 91** plates can only be connected to DRIVIA 13 and 18 enclosure modules per row
They are supplied complete with joining accessories and fixing screws

2. RANGE, CAT. NO. EQUIVALENCE TABLE

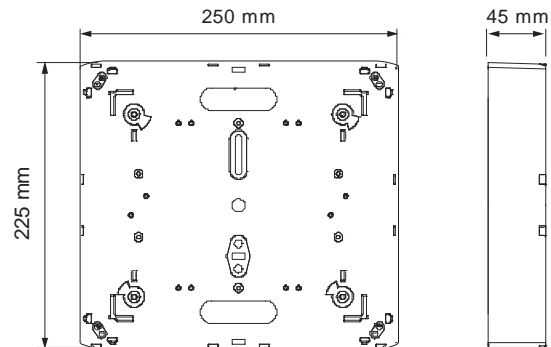
New Cat. Nos.	Old Cat. Nos.
4 011 81	0 011 81/82
4 011 91	0 011 91/92
4 011 83	0 011 83

3. DIMENSIONS

Cat. No. 4 011 81

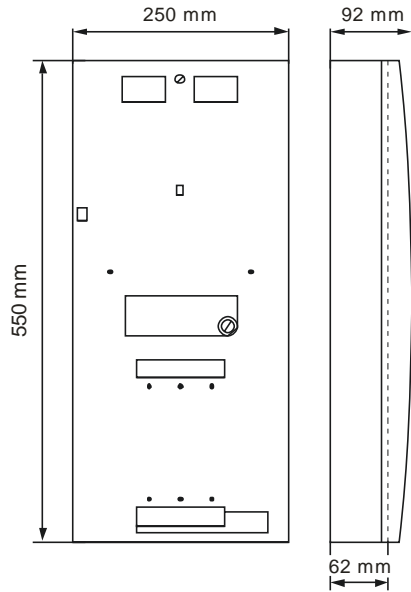


Cat. No. 4 011 91



3. OVERALL DIMENSIONS (continued)

Cat. No. 4 011 83

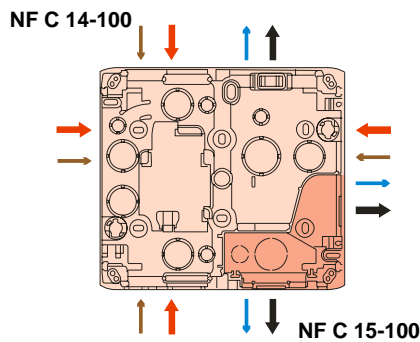


4. GENERAL CHARACTERISTICS

4.1 Technical characteristics

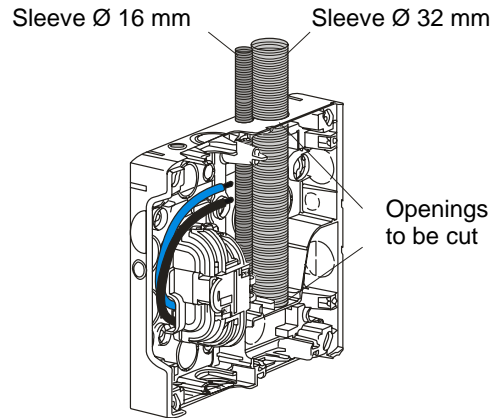
Cat. No. 4 011 81

- Takes electronic meters and single phase incoming circuit breakers up to 60 A (width 105 mm)
- Meter/circuit breaker link conductors: 16 mm² copper
- Connection capacity: 10 to 35 mm² Cu or Al
16 M to 35 M (solid) Al



NF C 14-100 scope		
Cable types	Incoming mains supply	Consumption feedback system
Conduits	Ø 32/40 mm	Ø 16 mm
NF C 15-100 scope		
Cable types	Output: power (connection to the distribution board)	Customer consumption information automatic control
Conduits	Ø 32 mm	Ø 16 mm
	Mini-trunking 32 x 16 mm	

Output towards the top (sleeves not supplied)

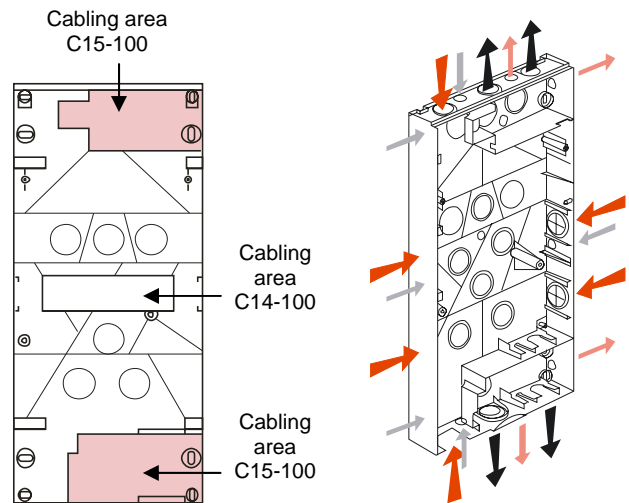


Cat. No. 4 011 91

- Takes single phase and 3-phase incoming circuit-breakers

Cat. No. 4 011 83

- Takes electronic meters and 3-phase incoming circuit breakers up to 60 A
- Meter/circuit breaker link conductors: 16 mm² copper



DRIVIA Plates

- . Colour: white RAL 9003
- . Self-extinguishing: 960°C
- . Storage and installation temperature: -20°C to + 70°C
- . Usage temperature: -10°C to + 40°C
- . Max. permissible current: 60A

4.2 Materials

- . Plate: high-impact polystyrene

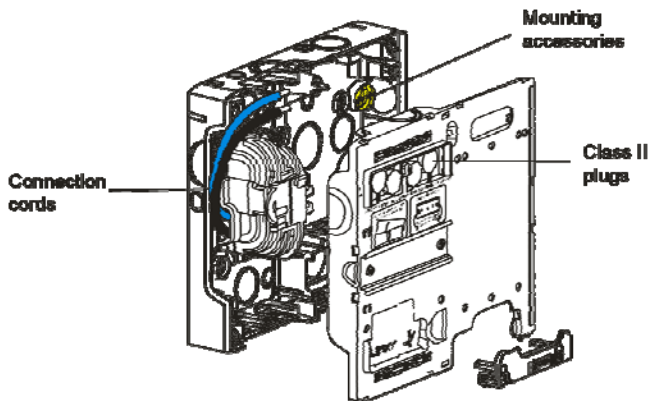
5. COMPLIANCE AND APPROVALS

Standards and approvals	4 011 81	4 011 91	4 011 83
ERDF-CPT-M&S Spe-10015A	X		
HN 62-S-80			X
NF C 61-910		X	
RoHS	X	X	X
WEEE	X	X	X
REACH	X	X	X
PEP sheet	X		
NF		X	

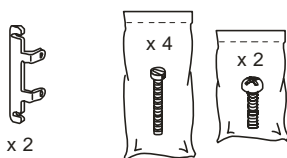
6. EQUIPMENT SUPPLIED

6.1 Cat. No. 4 011 81

- Mounting accessories
- Class II plugs
- 16 mm² connection cords



- Joining accessories and fixing screws



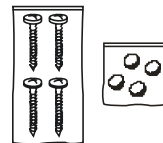
6.2 Cat. No. 4 011 91

- Joining accessories, fixing screws and plugs



6.3 Cat. No. 4 011 83

- Class II plugs and fixing screws

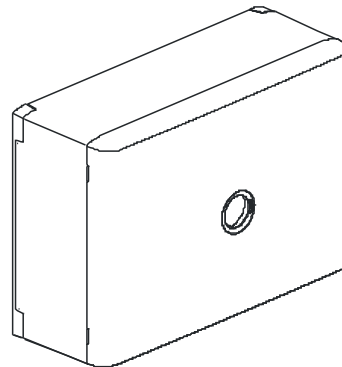


7. INSTALLATION ACCESSORIES

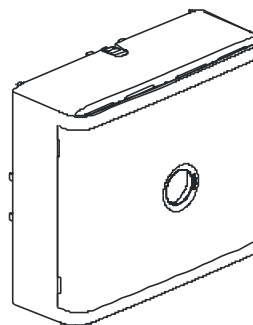
7.1 18-module casing Cat. No. 4 011 89 for plates 4 011 81 and 4 011 91

Supplied complete with white door.

May be fitted with transparent door Cat. No. 4 012 41



7.2 13-module casing Cat. No. 4 011 85/88 for plates 4 011 81 and 4 011 91



DRIVIA Plates

7. INSTALLATION ACCESSORIES (continued)

7.3 Class II insulated backplate - Cat. No. 4 011 83

For connection plate insulation and assembly only (Cat. No. 4 011 93) on 13-module trunking

