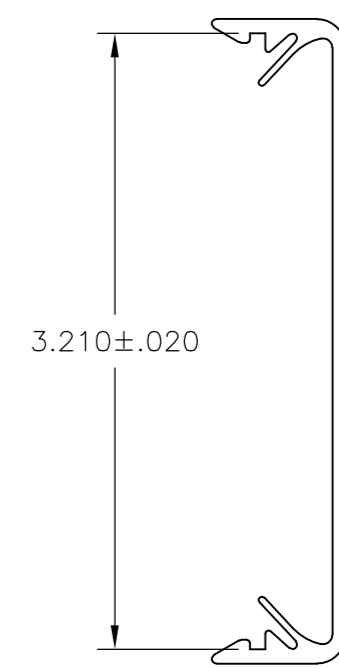
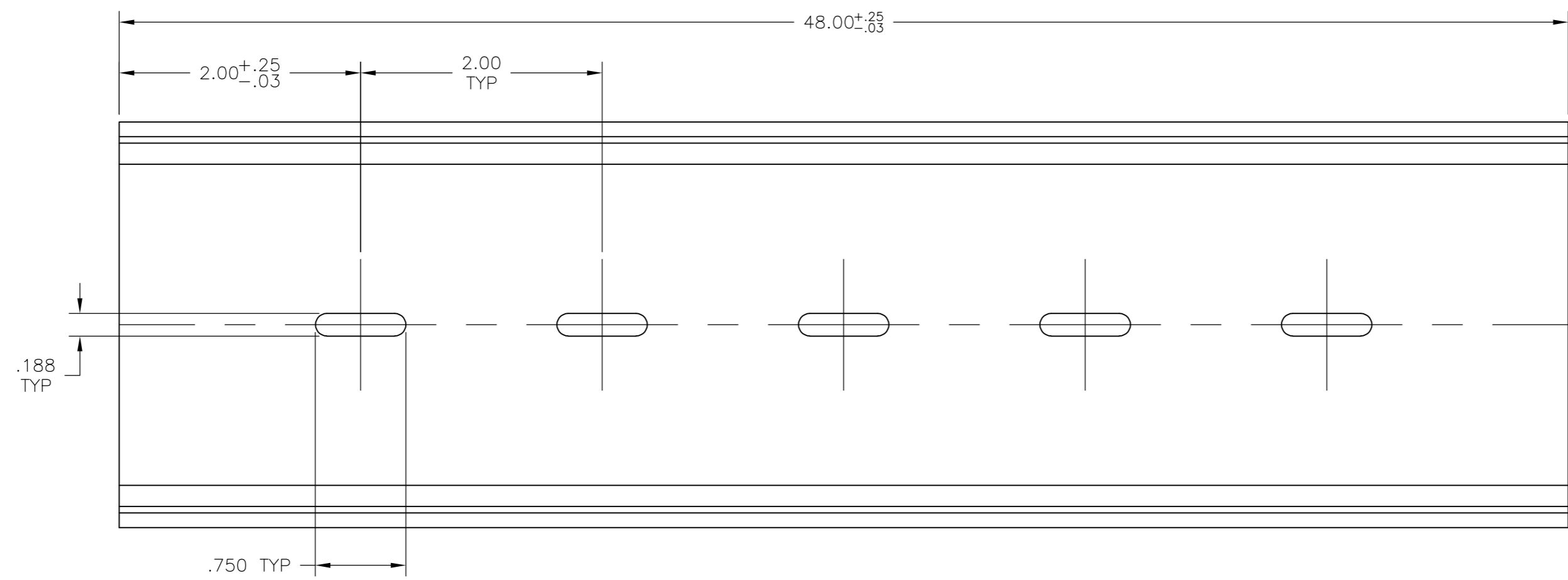


THIS DRAWING IS UNPUBLISHED. RELEASED FOR PUBLICATION
 © COPYRIGHT BY TYCO ELECTRONICS CORPORATION. ALL INTERNATIONAL RIGHTS RESERVED.

LOC		DIST		REVISIONS			
P	LTR	DESCRIPTION	DATE	DWN	APVD		
-	-	A	-	5/6/09	SS	CR	

1. ALL DIMENSIONS ARE ±.015 UNLESS OTHERWISE NOTED.
2. MATERIAL: RIGID, PVC, COLOR: GRAY
3. RECOMMENDED PC BOARD WIDTH 3.25".



3TK2-48	3-1437685-1
CATALOG NUMBER	PART NUMBER

THIS DRAWING IS A CONTROLLED DOCUMENT.		DWN	S SCHLEGEL	5/6/09	Tyco Electronics Corporation Harrisburg, PA 17105-3608		
DIMENSIONS: INCHES		CHK	C RICARD	5/6/09			
TOLERANCES UNLESS OTHERWISE SPECIFIED:		APVD	C RICARD	5/6/09			
0 PLC ± - 1 PLC ± - 2 PLC ± .02 3 PLC ± .005 4 PLC ± - ANGLES ± 1°		PRODUCT SPEC	NAME				
MATERIAL		APPLICATION SPEC		3TK2 SNAPTRACK			
FINISH		WEIGHT		SIZE	CAGE CODE	DRAWING NO	RESTRICTED TO
-		-		A2	00779	3-1437685-1	-
CUSTOMER DRAWING				SCALE	NTS	SHEET	1 of 1
				REV	A		

3-1437685-1