

Metal Switch Medium Stroke, Switching Voltage up to 36 VDC



MCS ES 18



Description

- Vandal-proof momentary switch with a diameter of 18 mm
- Assembly by mounting with nut
- Clip for Pins

Standards

- EN 50102

Characteristics

- Housing and actuator made of high quality stainless steel
- Rugged design, protection against vandalism
- For use in harsh environments, both indoors and outdoors

Weblinks

[html-datasheet](#), [General Product Information](#), [CE declaration of conformity](#), [RoHS](#), [CHINA-RoHS](#), [e-Shop](#), [CAD-Drawings](#), [Product News](#), [Detailed request for product](#)

Technical Data

Electrical Data

Contact Material Silver

| | |
|--------------------------|--------------------------|
| Switching Voltage | min. 3 VDC , max. 36 VDC |
| Switching Current | max. 2 A |
| Rated Switching Capacity | 72 W |
| Lifetime | 0.2 million actuations |
| Contact Resistance | < 50mΩ |
| Insulation Resistance | > 1'000 MΩ |
| Duration of Bounce | < 10 ms |

Mechanical Data

| | |
|-------------------|----------------------|
| Actuating Force | 4 N |
| Actuating Travel | 1.8 mm, |
| Lifetime | 1 million actuations |
| Shock Protection | IK 09 , |
| Tightening Torque | 1 Nm |

Climatical Data

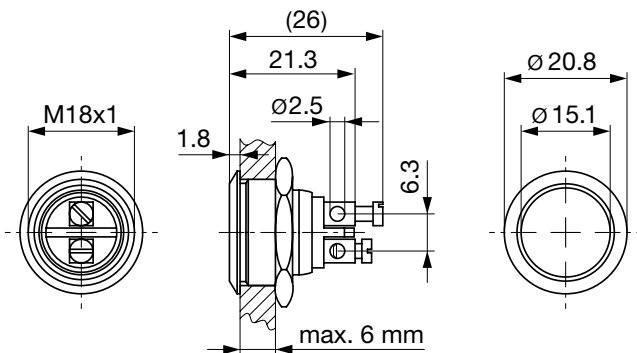
| | |
|-----------------------|-------------------------|
| Operating Temperature | -20 to +55 °C |
| Storage Temperature | -20 to +55 °C |
| IP-Protection | IP 65 from front side , |

Material

| | |
|---------------------|-----------------|
| Contact Material | Ag |
| Housing | Stainless Steel |
| Actuator unlettered | Stainless Steel |

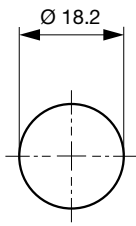
Dimension

MCS ES 18



Dimension

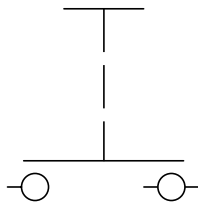
MCS ES 18



Drilling diagram

Diagrams

MCS ES 18



All Variants

| Switching Current | Switching Voltage | Contact Material | Shock Protection | Torsion Protection | IP Protection Class Front Side | Config. Code | Order Number |
|-------------------|-------------------|------------------|------------------|--------------------|--------------------------------|--------------|--------------|
| [A] | [VAC/ VDC] | | | | | | |
| 2 A | 36 VDC | Ag | IK 09 | no | IP 65 | MCS ES 18 | 1301.9560 |

Plastic nut with gasket are enclosed in the box.

Most Popular.

Availability for all products can be searched real-time: <http://www.schurter.com/en/Stock-Check/Stock-Check-SCHURTER>

Packaging unit 40 in cardboard box



- Actuating elements with nut in the packaging
- Sealing rings in a bag (enclosed in the box)