

Common mode Noise Filters

Type: **EXC24CG**



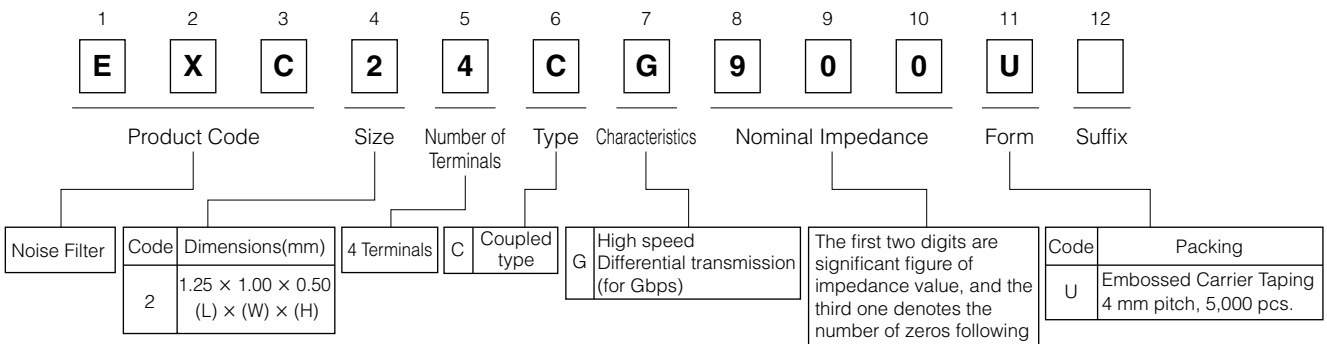
■ Features

- Reduce the common mode noise and reform the signal wave by high-coupled inductors
- Characteristic impedance is controlled to near 100 Ω, suppressing the signal reflection
- Meet the Mask-test for HDMI and suppressing the overshoot and skew etc
- Realize the high reliability and mounting by the simple multi-layer structure
- Small size and low-profile
(L 1.25 mm×W 1.00 mm×H 0.50 mm)
- RoHS compliant

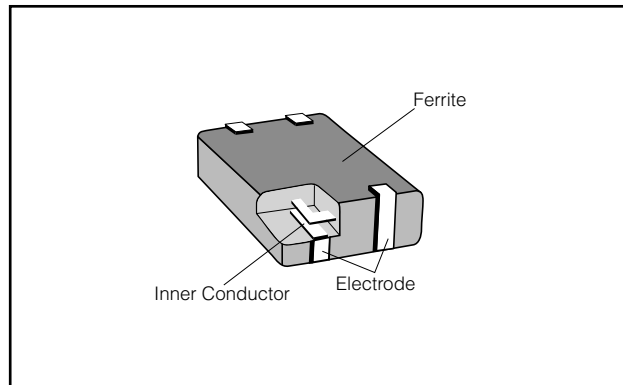
■ Recommended Applications

- HDMI data lines such as TV, STB, DVD, DVC.
- S-ATA data lines such as PCs, HDD.

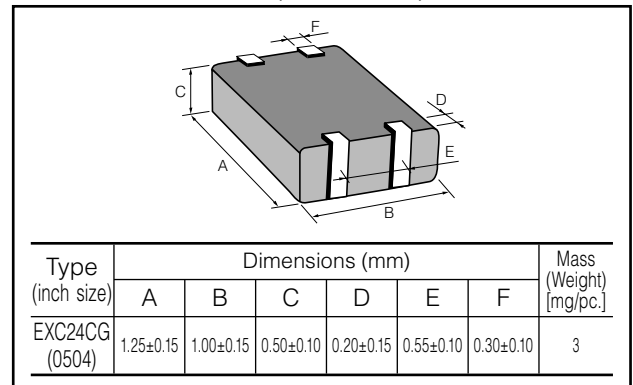
■ Explanation of Part Numbers



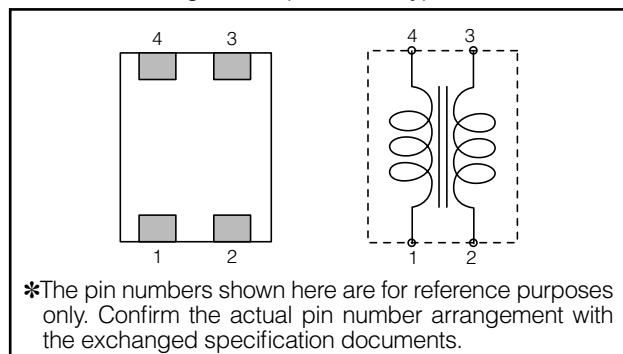
■ Construction



■ Dimensions in mm (not to scale)



■ Circuit Configuration(No Polarity)

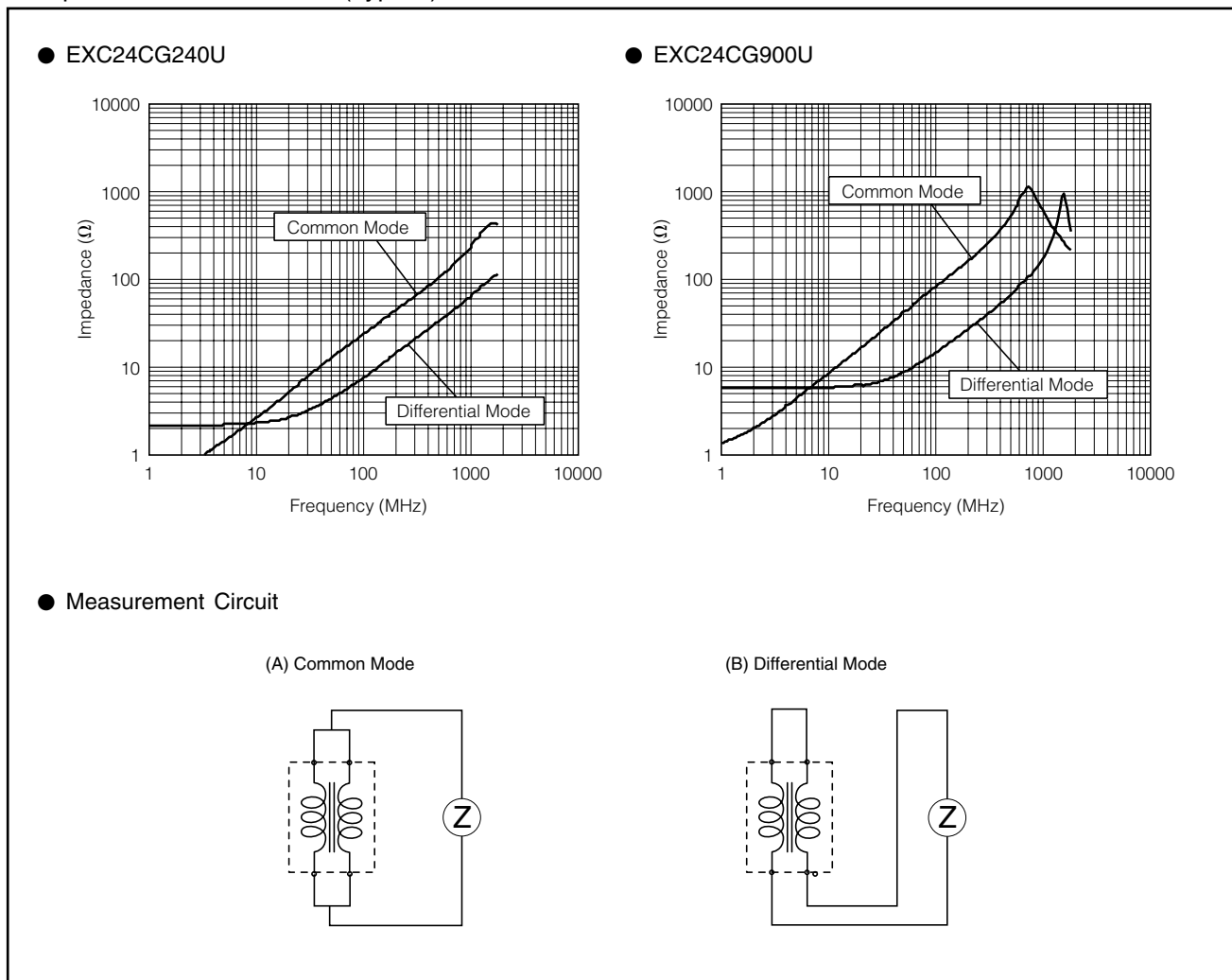


■ Ratings

Part Number	Impedance (Ω) at 100MHz		Rated Voltage (V DC)	Rated Current (mA DC)	DC Resistance (Ω) max.
	Common Mode	Differential Mode			
EXC24CG240U	24 Ω \pm 25 %	15 Ω max.	5	160	1.5
EXC24CG900U	90 Ω \pm 25 %	20 Ω max.	5	100	3.0

- Category Temperature Range $-40\text{ }^{\circ}\text{C}$ to $+85\text{ }^{\circ}\text{C}$

■ Impedance Characteristics (Typical)



■ Packaging Methods, Land Pattern, Soldering Conditions and Safety Precautions

Please see Related Information