

ADA-TSOP28-12

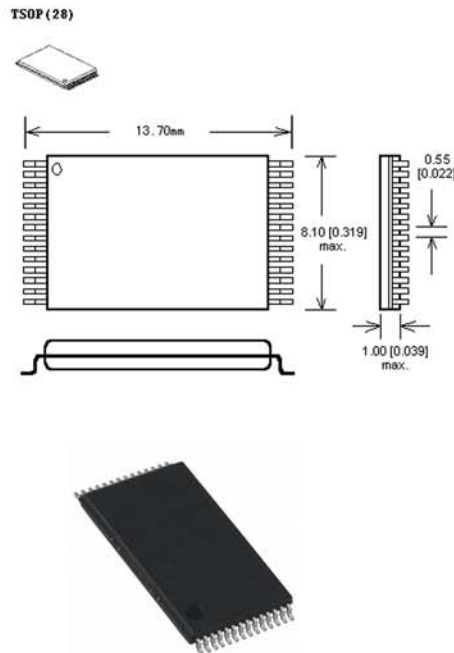
Introduction:

This universal adapter connect the pins of a 8/16/18/20.28 pin TSOP device to a 28 pin DIP equivalent.
 It accept a TSOP device and plug into a DIP socket.
 Socket type "open".

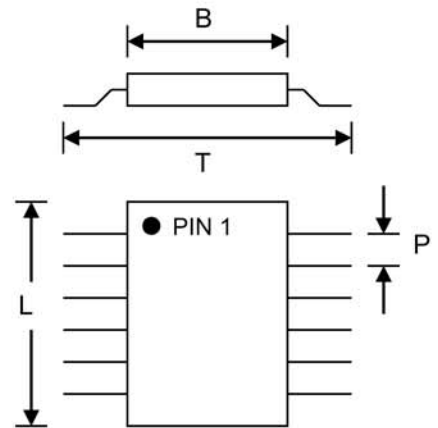
Connections of this adapter:

SSOP28	DIP28
1	1
2	2
3	3
4	4
5	5
6	6
7	7
8	8
9	9
10	10
11	11
12	12
13	13
14	14
15	15
16	16
17	17
18	18
19	19
20	20
21	21
22	22
23	23
24	24
25	25
26	26
27	27
28	28

Package TSOP:



Dimensions of the devices accepted:



Body	12,0mm
Tip	13,70mm
Length	n/a
Pitch	0,55mm

Examples of supported devices:

CATALYST CAT28C256
 ATMEL AT27BV512

Equivalent adapters from other manufacturers:

WL-TSOP28-T
 PA28TS28D-EO
 SA430T

Item includes:

Adapter.
 User manual in English and French.