

# Mounting elements for hydraulic cylinders

## Mounting elements

**RE 17042**

Edition: 2013-07

Replaces: 13.06



H3121\_d

### Features

Mounting elements:







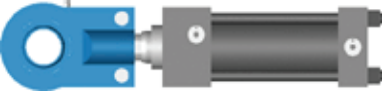





- ▶ Plain clevis
- ▶ Swivel head
- ▶ Fork clevis
- ▶ Bearing bracket
- ▶ Clevis bracket and eye bracket
- ▶ Trunnion bracket
- ▶ Bolts

### Contents





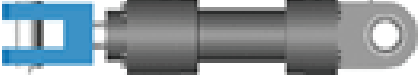




Features		1
Mounting element overview		2, 3
Dimensions:		
Swivel head	CGK	4, 5
Clevis bracket	CLCC	6, 7
Fork clevis	CCKA	8
Eye bracket	CLEA	9
Clevis bracket	CLCB	10, 11
Trunnion bracket	CLTA	12, 13
Swivel head	CGKA	14
Swivel head	CGKL	15
Swivel head	CGKD	16, 17
Trunnion bracket	CLTB	18, 19
Clevis bracket	CLCA	20, 21
Clevis bracket	CLCD	22, 23
Plain clevis	CSA	24, 25
Swivel head	CGA	26, 27
Swivel head	CGAK	28, 29
Swivel head	CGAS	30, 31
Fork clevis	CCKB	32, 33
Swivel head	CGKD	34, 35
Trunnion bracket	CLTB	36, 37
Clevis bracket	CLCA	38, 39
Clevis bracket	CLCD	40, 41

Project planning software **Interactive Catalog System****Online**[www.boschrexroth.com/ics](http://www.boschrexroth.com/ics)

## Mounting element overview

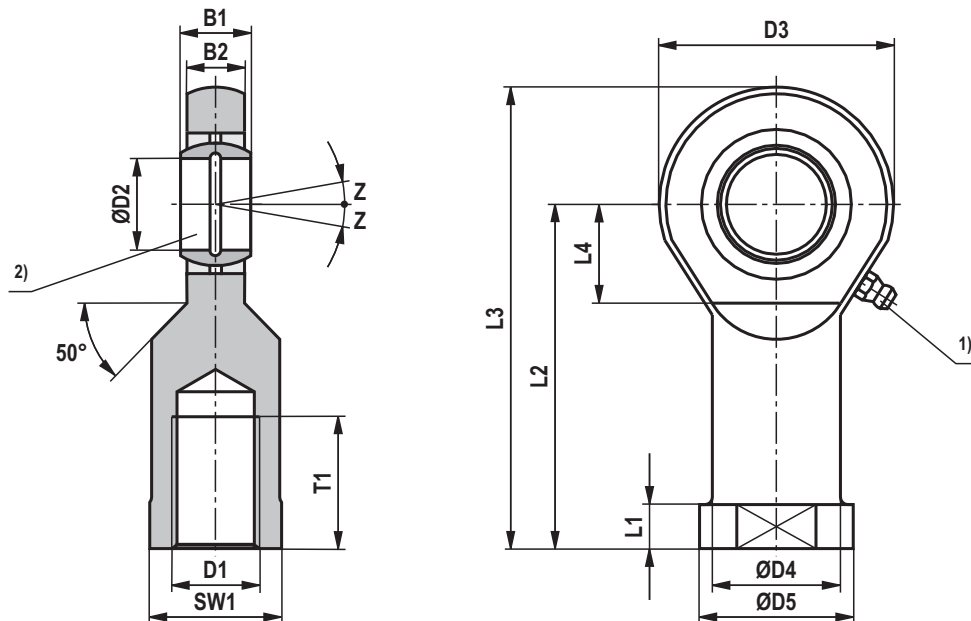
Assembly (symbolic representation)	Denomination / type	To be attached to series	Page
	Swivel head CGK ISO 12240-4	CD70/CG70 CD210/CG210	4, 5
	Clevis bracket CLCC		6, 7
	Fork clevis CCKA		8
	Eye bracket CLEA		9
	Clevis bracket (clampable) CLCB ISO 8133 DIN 24556	CDT3/CGT3/CST3	10, 11
	Trunnion bracket CLTA		12, 13
	Swivel head (clampable) CGKA ISO 8133 DIN 24555		14
	Swivel head CGKL ISO 12240-4	CDL2	15
	Swivel head (clampable) CGKD ISO 8132		16, 17
	Trunnion bracket CLTB ISO 8132		18, 19
	Clevis bracket (clampable) CLCA ISO 8132 form B		20, 21
	Clevis bracket (clampable) CLCD ISO 8132 form A		22, 23

### Mounting element overview

Assembly (symbolic representation)	Denomination / type	To be attached to series	Page
	Plain clevis CSA	CDH1/CGH1/CSH1 CDH3/CGH3/CSH3	24, 25
	Swivel head CGA		26, 27
	Swivel head (clampable) CGAK		28, 29
	Swivel head (clampable) CGAS		30, 31
	Fork clevis (clampable) CCKB ISO 8132	CDH2/CGH2/CSH2 CDM1/CGM1/CSM1	32, 33
	Swivel head (clampable) CGKD ISO 8132		34, 35
	Trunnion bracket CLTB ISO 8132		36, 37
	Clevis bracket (clampable) CLCA ISO 8132 form B		38, 39
	Clevis bracket (clampable) CLCD ISO 8132 form A		40, 41

### Dimensions: Swivel head CGK for series CD70/CG70 and CD210/CG210 (dimensions in mm)

ISO 12240-4



Series			Type	Material no.	B1 -0,12	B2	D1	ØD2 h5	D3 max.	ØD4 max.	ØD5 max.
CD70 / CG70 ØAL	CD210 / CG210 ØAL	ØMM									
25	—	—	CGK 10 <sup>3)</sup>	R900001653	9	7	M10	10	30	16	20
32	—	—	CGK 12 <sup>3)</sup>	R900001327	10	8	M12	12	35	19	23
40	40	16	CGK 15 <sup>4)</sup>	R900001328	12	10	M14	15	41	22	27
		18									
50	40	25	CGK 20 <sup>4)</sup>	R900001329	16	13	M20x1,5	20	54	28	36
		22									
		25									
63	50	36	CGK 25	R900001330	20	17	M24x2	25	65	35	44
		25									
		28									
80	63	36	CGK 30	R900001331	22	19	M30x2	30	75	42	52
		45									
		36									
—	80	45	CGK 35	R900012486	25	21	M36x3	35	84	47	60
100	80	56	CGK 40	R900001332	28	23	M39x3	40	94	52	67
125	100	45	CGK 45	R900001333	32	27	M42x3	45	104	58	72
150	100	50	CGK 50	R900001334	35	30	M45x3	50	114	62	77
		70									
	125	50									
		56									
200	125	63	CGK 60	R900001335	44	38	M52x3	60	137	70	90
		63									
	150	90									
		70									
—	150	80	CGK 80	R900001928	55	47	M64x4	80	182	95	112
		100									
		80									
—	180	80									

## Dimensions: Swivel head CGK for series CD70/CG70 and CD210/CG210 (dimensions in mm)

Series			Type	L1	L2	L3 max.	L4 min.	T1 min.	SW1 <sup>5)</sup>	Z <sup>5)</sup>	m kg	C <sub>0</sub> <sup>6)</sup> kN	F <sub>adm</sub> <sup>7)</sup> kN
CD70 / CG70 ØAL	CD210 / CG210 ØAL	ØMM											
25	–	–	CGK 10 <sup>3)</sup>	6,5	43	60	13	15	15 / 16	12° – 15°	0,07	17,6	5,8
32	–	–	CGK 12 <sup>3)</sup>	7	50	69	17	18	19	10° – 11°	0,1	24,5	8,1
40	40	16	CGK 15 <sup>4)</sup>	8	61	83	19	21	22	8° – 12°	0,16	36	11,9
		18											
50	40	25	CGK 20 <sup>4)</sup>	10	77	106	24	30	30 / 32	9°	0,34	60	19,8
		22											
		25											
63	50	36	CGK 25	12	94	128	30	36	36	7°	0,6	83	27,4
		25											
		28											
80	63	36	CGK 30	15	110	149	34	45	41 / 46	6°	0,9	110	36,3
		45											
		36											
–	80	45	CGK 35	15	125	169	40	60	50	6°	1,4	146	48,2
100	80	56	CGK 40	18	142	191	46	65	55	7°	2,0	180	59,4
125	100	45	CGK 45	20	145	199	50	65	60 / 65	7°	2,7	240	79,2
150	100	50	CGK 50	20	160	219	58	68	65 / 70	6°	3,5	290	95,7
		70											
	125	50											
		56											
200	125	63	CGK 60	20	175	246	73	70	75	6°	5,6	450	148,5
		63											
	150	90											
		70											
–	150	80	CGK 80	25	230	324	98	85	100	6°	13,1	750	247,5
		100											
		180											

ØAL = piston Ø

ØMM = piston rod Ø

1) Lubricating nipple, cone head form A according to DIN 71412

2) Bolt Ø m6 required

3) Cannot be re-lubricated

4) Can be re-lubricated via lubricating hole in housing

5) Dimensions may differ depending on the manufacturer

6) C<sub>0</sub> = static load rating of the swivel head

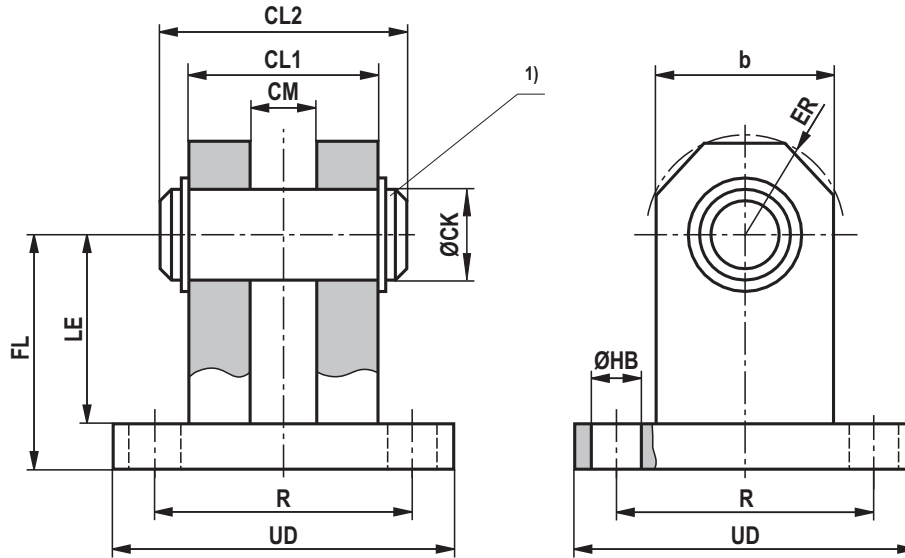
7) F<sub>adm</sub> = maximum admissible load on the swivel head during oscillatory or alternating loads

### Notice!

Geometry and dimensions may differ depending on the manufacturer. In case of combination with other mounting elements, check the suitability.

### Dimensions: Clevis bracket CLCC for series CD70/CG70 and CD210/CG210 (dimensions in mm)

Suitable for swivel head  
type CGK... or CGA...



Series					Type	Material no.	ØCK H9 1)	CL1 h16	CL2 max.	CM A12	FL js12
CD70 / CG70	CD210 / CG210										
ØAL 2)	ØAL 3)	ØAL	ØMM	ØAL 3)							
25	—	—	—	—	CLCC 10	R900318440	10	25	37	9	35
32	25	—	—	—	CLCC 12	R900318423	12	25	37	10	35
	32	—	—								
40	40	40	16	40	CLCC 15	R900318468	15	35	48	12	45
			18								
50	50	50	22	50	CLCC 20	R900318469	20	50	64	16	58
			25								
			25								
63	63	63	36	63	CLCC 25	R900318470	25	60	74	20	75
			25								
			28								
80	125	63	36	—	CLCC 30	R900318471	30	60	74	22	75
			45								
—	80	80	36	80	CLCC 35	R900318472	35	70	93	25	90
150	80	45									
100	—	80	36	100	CLCC 40	R900318473	40	70	93	28	90
—	80	56									
125	200	100	36	125	CLCC 45	R900318481	45	110	133	32	125
—	100	45									
150	—	100	50	150	CLCC 50	R900318482	50	110	133	35	125
			70								
			50								
			56								
200	—	125	63	180	CLCC 60	R900318483	60	125	148	44	155
			90								
			63								
			70								
—	—	150	80	—	CLCC 80	R900318477	80	140	163	55	130
			100								
			80								
—	—	180	80	—	CLCC 81	R900318478	80	140	163	60	150
			90								
			100								
—	—	180	125	—	CLCC 90	R900318479	90	140	163	65	150
—	—	200	140	—	CLCC 100	R900318480	100	150	175	70	165
—	—	—	—	200	CLCC 70	R900318484	70	125	148	49	155

## Dimensions: Clevis bracket CLCC for series CD70/CG70 and CD210/CG210 (dimensions in mm)

CD70 / CG70		Series CD210 / CG210			Type	ØHB H13	ER max.	LE min.	UD max.	R js14	b max.	m kg
ØAL <sup>2)</sup>	ØAL <sup>3)</sup>	ØAL	ØMM	ØAL <sup>3)</sup>								
25	–	–	–	–	CLCC 10	5,5	13	25	45	33	24	0,3
32	25	–	–	–	CLCC 12	5,5	13	25	45	33	24	0,3
	32	–	–									
40	40	40	16	40	CLCC 15	11	17	35	75	50	32	0,8
			18									
50	50	40	25	50	CLCC 20	13,5	22	42	90	65	40	1,8
			22									
			25									
63	80	50	36	63	CLCC 25	13,5	25	59	95	70	45	2,5
			25									
			28									
80	125	63	36	–	CLCC 30	13,5	25	59	95	70	45	2,5
			45									
			36									
–	150	80	45	80	CLCC 35	17,5	35	68	130	95	65	6,0
100	–	80	56	100	CLCC 40	17,5	35	68	130	95	65	6,0
125	200	100	45	125	CLCC 45	26	46	100	180	135	85	15,0
150	–	100	50	150	CLCC 50	26	46	100	180	135	85	15,0
			70									
			50									
			56									
200	–	125	63	180	CLCC 60	33	66	125	225	170	125	28,0
			90									
			63									
			70									
–	–	150	80	–	CLCC 80	33	75	100	245	190	140	33,0
			100									
			80									
–	–	180	90	–	CLCC 81	33	75	120	245	190	140	34,0
			90									
			100									
–	–	180	125	–	CLCC 90	33	75	120	245	190	140	35,0
–	–	200	140	–	CLCC 100	33	95	135	255	200	170	41,0
–	–	–	–	200	CLCC 70	33	80	125	225	170	145	28,0

ØAL = piston Ø

ØMM = piston rod Ø

1) Bolt Ø m6 required

(bolt and bolt lock are included in the scope of delivery)

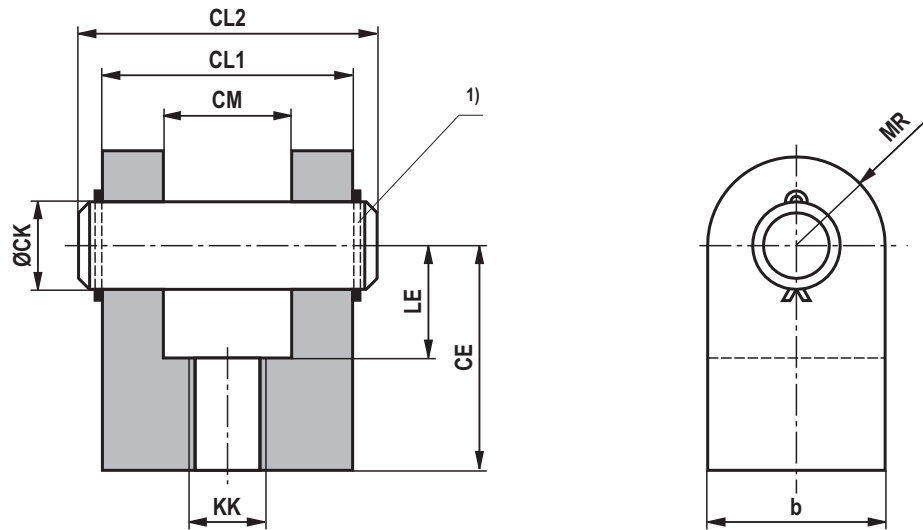
2) When mounted on the piston rod with CGK... or CGA

3) When mounted on the cylinder base (mounting type "B")

### Notice!

Geometry and dimensions may differ depending on the manufacturer. In case of combination with other mounting elements, check the suitability.

## Dimensions: Fork clevis CCKA for series CD70/CG70 and CD210/CG210 (dimensions in mm)



Series		Type <sup>2)</sup>	Material no.	ØCK H7 <sup>1)</sup>	CL1 h16	CL2 max.	CM A12	CE js12	KK	LE min.	MR max.	b max.	m kg
CD70 / CG70 ØMM	CD210 / CG210 ØMM												
16	16	CCKA 10	R900318486	12,7	44	56	20	38	M10x1,5	19	13	26	0,2
18	18												
22	22	CCKA 16	R900318488	19,1	65	77	32,5	54	M16x1,5	26	19	38	1,0
25	25	CCKA 20	R900318487	19,1	65	77	32,5	54	M20x1,5	26	19	38	1,0
28	28												
36	36	CCKA 26	R900318489	25,43	77	92	39	75	M26x1,5	34	26	52	2,4
45	45	CCKA 33	R900318491	34,95	100	118	51,5	95	M33x2	45	35	70	4,5
50	50	CCKA 39	R900318494	44,48	127	147	65	114	M39x2	57	45	90	8,5
56	56												
63	63	CCKA 48	R900318496	50,83	127	147	65	140	M48x2	64	50	100	13,0
70	70												
80	80	CCKA 58	R900541067	63,5	154	176	78	165	M58x2	76	65	130	23,0
90	90	CCKA 64	R900318498	76,23	154	176	78	172	M64x2	83	70	140	25,0

ØMM = piston rod Ø

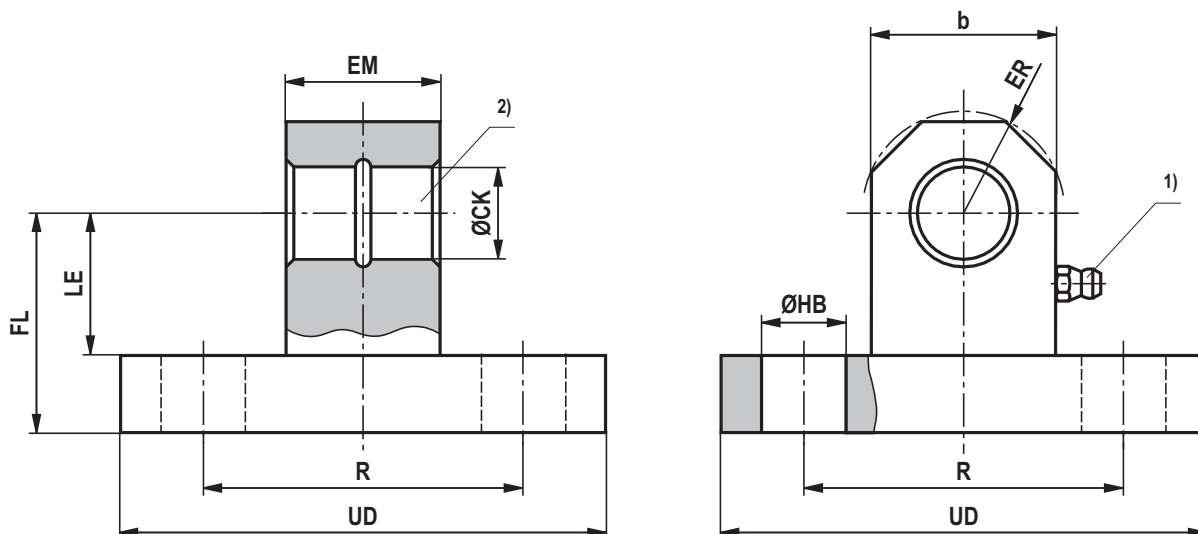
- <sup>1)</sup> Bolt Ø f7 required  
(bolt and bolt lock are included in the scope of delivery)
- <sup>2)</sup> Only possible with thread design "C".

### Notice!

Geometry and dimensions may differ depending on the manufacturer. In case of combination with other mounting elements, check the suitability.



## Dimensions: Eye bracket CLEA for series CD70/CG70 and CD210/CG210 (dimensions in mm)



Series				Type	Material no.	ØCK H7 2)	EM h13	FL js12	ØHB H13	ER max.	LE min.	UD max.	R js14	b	m kg
CD70 / CG70		CD210 / CG210													
ØAL 3)	ØMM 4)	ØAL 3)	ØMM 4)												
32	16	40	16	CLEA 10	R900318516	12,7	20	28,5	11	13	18,5	63	41,5	24	0,4
40			18												
50			18												
63	18	40	18	CLEA 20	R900318518	19,1	32,5	47,5	13,5	22	31,5	89	65	40	1,6
80			22												
100			25												
125	25	63	25	CLEA 26	R900318519	25,43	39	57	17,5	30	38	114	82,5	55	2,3
150			28												
200			28												
—	36	80	36	CLEA 33	R900318520	34,95	51,5	76	17,5	41	54	127	97	75	5,8
—			45												
—			50												
—	56	125	50	CLEA 39	R900318521	44,48	65	79,5	22	49	57	165	126	90	10,0
—			56												
—			63												
—	70	150	63	CLEA 48	R900318522	50,83	65	89	26	56	64	190	145,5	105	14,0
—			70												
—			80												
—	80	180	80	CLEA 58	R900318524	63,53	78	101,5	30	69	77	216	167	130	21,0
—			90												
—	90	200	90	CLEA 64	R900318523	76,23	78	108	33	77	83	242	190,5	145	26,0
—			90												

ØAL = piston Ø

ØMM = piston rod Ø

1) Lubricating nipple, cone head form A according to DIN 71412

2) Suitable for fork clevis type CCKA...

3) When mounted on the cylinder base (mounting type "G")

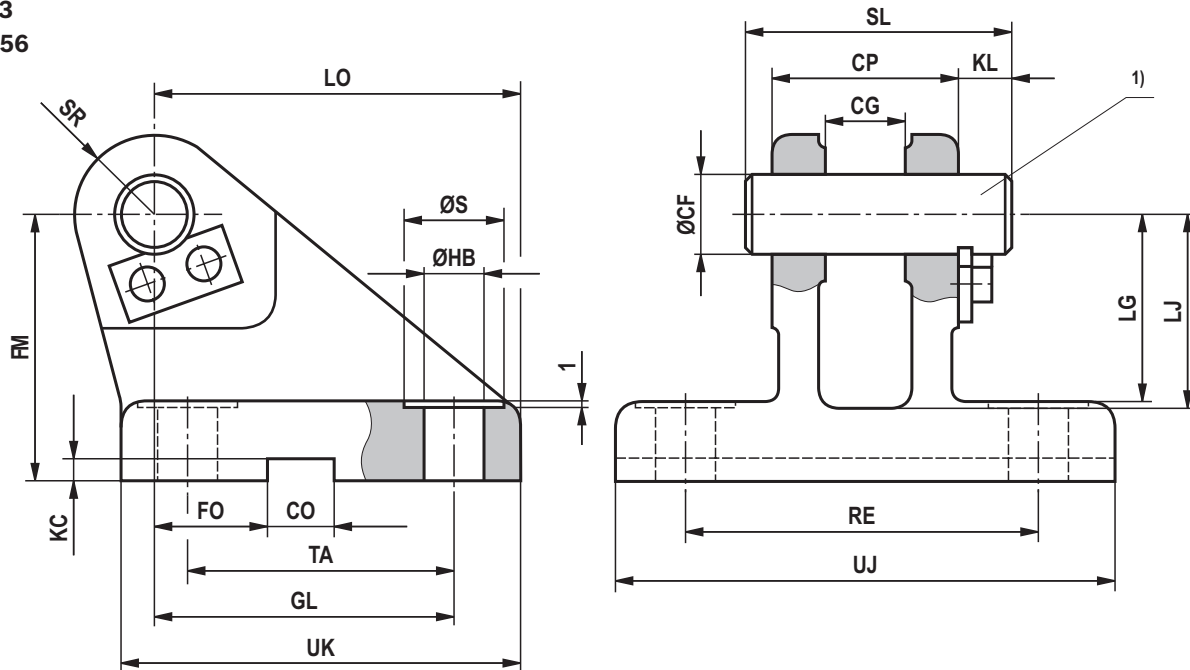
4) When mounted on the piston rod with CCKA...

### Notice!

Geometry and dimensions may differ depending on the manufacturer. In case of combination with other mounting elements, check the suitability.

**Dimensions: Clevis bracket CLCB - AB 5** (clampable) for series CDT3/CGT3/CST3  
(dimensions in mm)

ISO 8133  
DIN 24556




Type	Material no.	Nominal force kN	ØCF K7 <sup>1)</sup>	CP h14	CG +0,1 +0,3	CO N9	FO js14	FM js11	GL js13	ØHB	ØS
CLCB 12	R900326960	8	12	30	10	10	16	40	46	9	15
CLCB 16	R900327372	12,5	16	40	14	16	18	50	61	11	18
CLCB 20	R900327373	20	20	50	16	16	20	55	64	14 <sup>3)</sup>	20
CLCB 25	R900326961	32	25	60	20	25	22	65	78	16 <sup>3)</sup>	24
CLCB 30	R900327374	50	30	70	22	25	24	85	97	18 <sup>3)</sup>	26
CLCB 40	R900327375	80	40	80	28	36	24	100	123	22	33
CLCB 50	R900327376	125	50	100	35	36	35	125	155	30	48
CLCB 60	R900327377	200	60	120	44	50	35	150	187	39	60
CLCB 80	R900327378	320	80	160	55	50	35	190	255	45	80
CLCB 100	R900327379	500	100	200	70	63	35	210	285	48	80

**Dimensions: Clevis bracket CLCB - AB 5** (clampable) for series CDT3/CGT3/CST3  
(dimensions in mm)

Type	KC +0,3 0	KL	LG	LJ	LO	RE js13	SL	SR max.	TA js13	UJ	UK	<i>m</i> <sup>2)</sup> kg
<b>CLCB 12</b>	3,3	8	28	29	56	55	40	12	40	75	60	0,6
<b>CLCB 16</b>	4,3	8	37	38	74	70	50	16	55	95	80	1,3
<b>CLCB 20</b>	4,3	10	39	40	80	85	62	20	58	120	90	2,1
<b>CLCB 25</b>	5,4	10	48	49	98	100	72	25	70	140	110	3,2
<b>CLCB 30</b>	5,4	13	62	63	120	115	85	30	90	160	135	6,5
<b>CLCB 40</b>	8,4	16	72	73	148	135	100	40	120	190	170	12,0
<b>CLCB 50</b>	8,4	19	90	92	190	170	122	50	145	240	215	23,0
<b>CLCB 60</b>	11,4	20	108	110	225	200	145	60	185	270	260	37,0
<b>CLCB 80</b>	11,4	26	140	142	295	240	190	80	260	320	340	79,0
<b>CLCB 100</b>	12,4	30	150	152	335	300	235	100	300	400	400	140,0

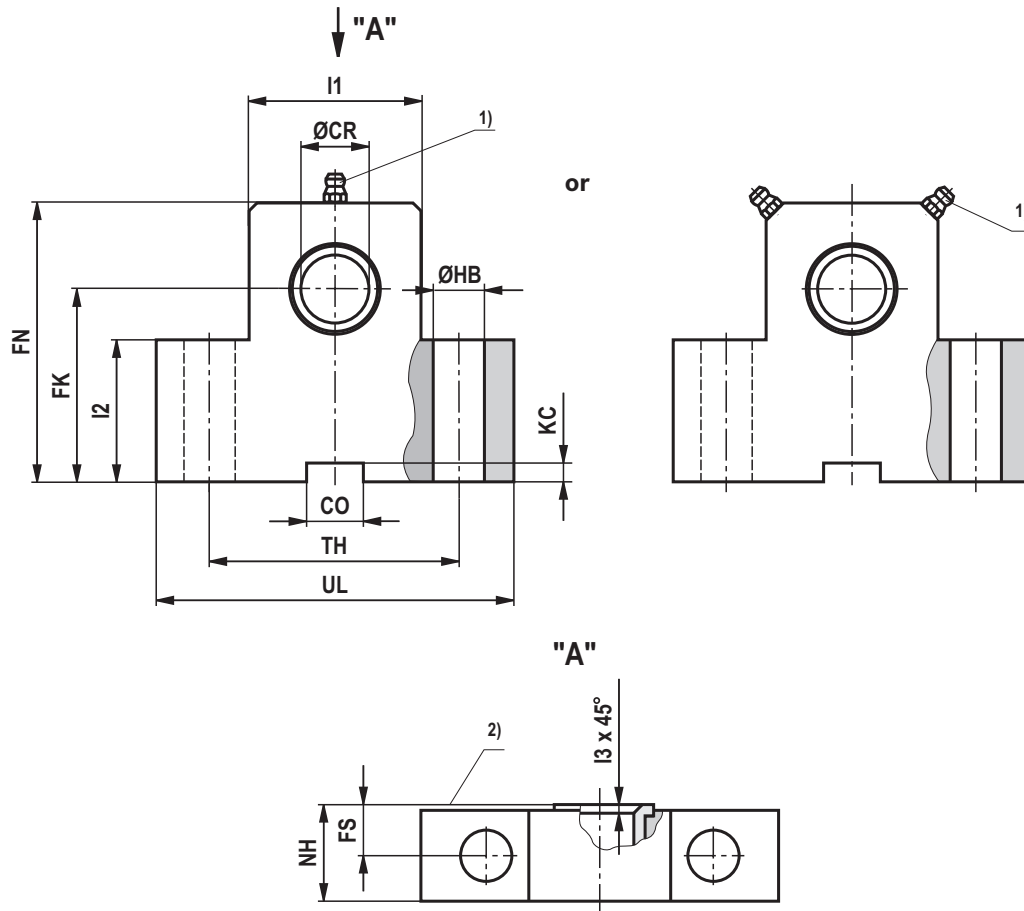
- 1) Bolt  $\varnothing$  h6 required, suitable for swivel head CGKA...  
(bolt and bolt lock are included in the scope of delivery)
- 2) *m* = weight of clevis bracket in kg
- 3) Dimensions may differ from the standard depending on the manufacturer

 **Notice!**

Geometry and dimensions may differ depending on the manufacturer. In case of combination with other mounting elements, check the suitability.

## Dimensions: Trunnion bracket CLTA - AT 4 for series CDT3/CGT3/CST3 (dimensions in mm)

### CLTA 12-20



Series CDT3 / CGT3 / CST3 ØAL	Type	Material no.	Nominal force kN <sup>4)</sup>	ØCR H7	CO N9	FK js12	FN max.	FS js14	ØHB H13	KC +0,3 0	NH max.	TH js14	UL max.	I1	I2	I3	m <sup>5)</sup> kg
25	CLTA 12	R901071355	8	12	10	38	55	8	9	3,3	17 <sup>3)</sup>	40	63	25	25	1	0,5
32	CLTA 16	R901071364	12,5	16	16	45	65	10	11	4,3	21	50	80	30	30	1	0,9
40	CLTA 20	R901071365	20	20	16	55	80	10	11	4,3	21	60	90	40	38	1,5	1,35

ØAL = piston Ø

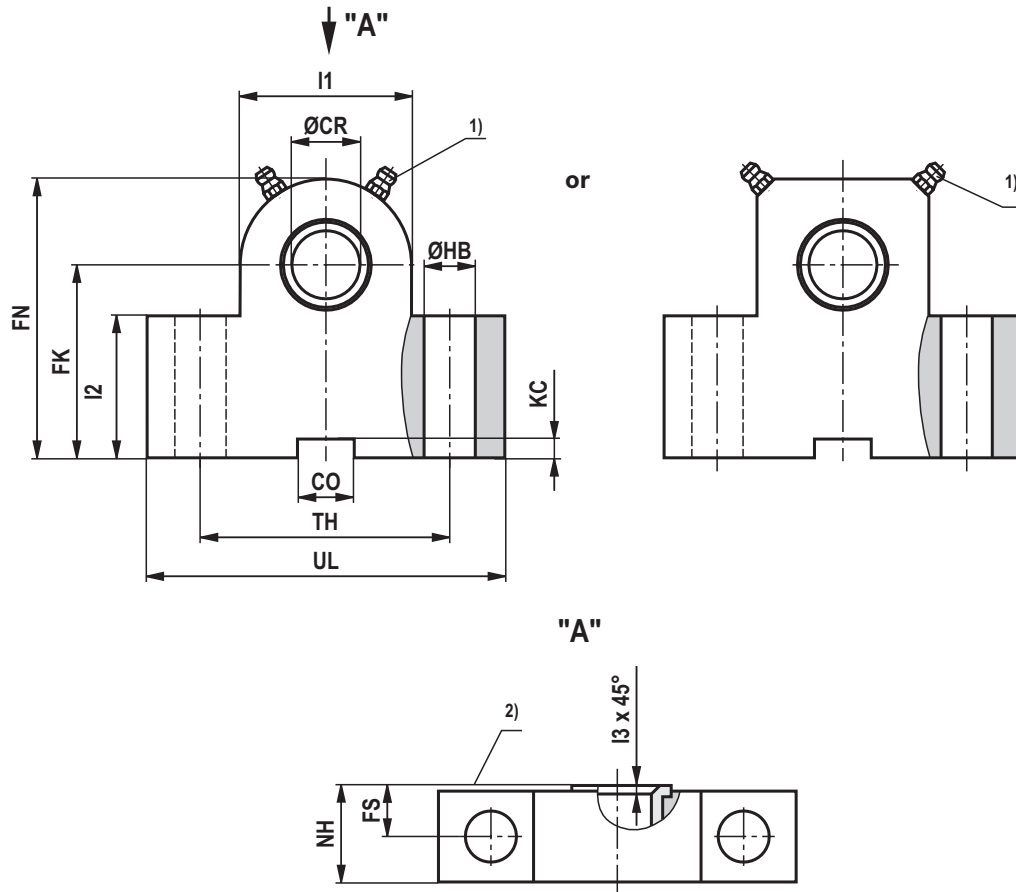
- 1) Lubricating nipple, cone form A according to DIN 71412
- 2) Inside
- 3) Dimensions may differ depending on the manufacturer
- 4) Nominal force applies to applications in pairs
- 5) **m** = weight per pair in kg, brackets are delivered in pairs

#### Notice!

Geometry and dimensions may differ depending on the manufacturer. In case of combination with other mounting elements, check the suitability.

## Dimensions: Trunnion bracket CLTA - AT 4 for series CDT3/CGT3/CST3 (dimensions in mm)

### CLTA 25-100



Series CDT3 / CGT3 / CST3 ØAL	Type	Material no.	Nominal force kN <sup>4)</sup>	ØCR H7	CO N9	FK js12	FN max.	FS js14	ØHB H13	KC +0,3 0	NH max.	TH js14	UL max.	I1	I2	I3	m <sup>5)</sup> kg
50	CLTA 25	R901071368	32	25	25	65	90	12	14 <sup>3)</sup>	5,4	26	80	110	56	45	1,5	2,4
63	CLTA 32	R901071377	50	32	25	75	110	15	18 <sup>3)</sup>	5,4	33	110	150	70	52	2	5,0
80	CLTA 40	R901071380	80	40	36	95	140	16	22	8,4	41	125	170	88	60	2,5	8,5
100	CLTA 50	R901071385	125	50	36	105	150	20	26	8,4	51	160	210	90	72	2,5	15
125	CLTA 63	R901071395	200	63	50	125	195	25	33	11,4	61	200	265	136	87	3	30
160	CLTA 80	R901071398	320	80	50	150	230	31	39	11,4	81	250	325	160	112	3,5	59
200	CLTA 100	R901071400	500	100	63	200	300	42	52	12,4	101	320	410	200	150	4,5	131

ØAL = piston Ø

1) Lubricating nipple, cone form A according to DIN 71412

2) Inside

3) Dimensions may differ depending on the manufacturer

4) Nominal force applies to applications in pairs

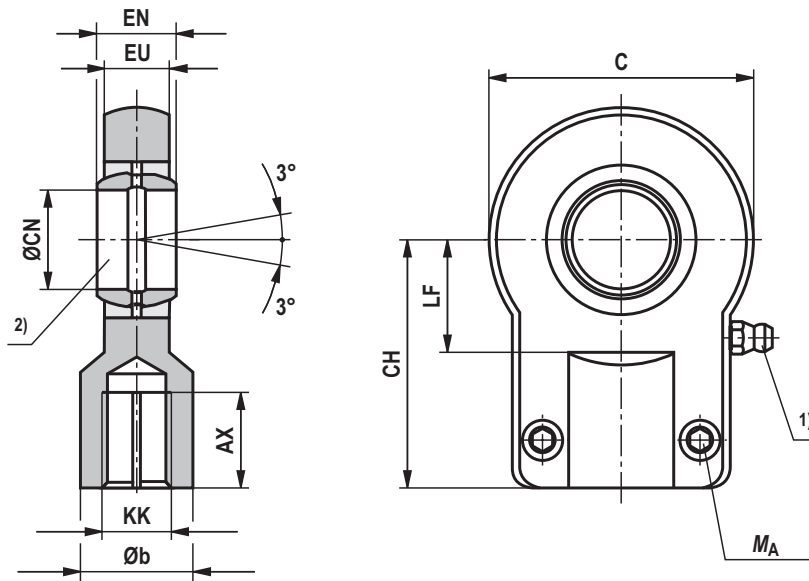
5) **m** = weight per pair in kg, brackets are delivered in pairs

#### Notice!

Geometry and dimensions may differ depending on the manufacturer. In case of combination with other mounting elements, check the suitability.

## Dimensions: Swivel head CGKA - AP 6 (clampable) for series CDT3/CGT3/CST3 (dimensions in mm)

ISO 8133  
DIN 24555



Type	Material no.	KK	AX min.	Øb	C max.	CH js13	ØCN <sup>2)</sup>	EN	EU max.	LF min.	M <sub>A</sub> <sup>7)</sup> Nm	m <sup>8)</sup> kg	C <sub>0</sub> <sup>9)</sup> (head) kN	F <sub>adm</sub> <sup>10)</sup> kN
<b>CGKA 12</b> <sup>3)</sup>	R900327186	M10x1,25	15	17	40	42	12 -0,008	10 -0,12	8	16	9,5	0,15	17	6,3
<b>CGKA 16</b> <sup>4)</sup>	R900327192	M12x1,25	17	21	45	48	16 -0,008	14 -0,12	11	20	9,5	0,25	28,5	10,5
<b>CGKA 20</b> <sup>4)</sup>	R900306874	M14x1,5	19	25	55	58	20 -0,012	16 -0,12	13	25	23	0,43	42,5	15,7
<b>CGKA 25</b>	R900327191	M16x1,5	23	30	65	68	25 -0,012	20 -0,12	17	30	23	0,73	67	24,7
<b>CGKA 30</b>	R900327187	M20x1,5	29	36	80	85	30 -0,012	22 -0,12	19	35	46	1,3	108	39,9
<b>CGKA 40</b>	R900327188	M27x2	37	45	100	105	40 -0,012	28 -0,12	23	45	46	2,3	156	57,6
<b>CGKA 50</b>	R900327368	M33x2	46	55	125	130	50 -0,012	35 -0,12	30	58	80	4,4	245	90,4
<b>CGKA 60</b>	R900327369	M42x2	57	68	160	150	60 -0,012	44 -0,12	38	68	195	8,4	380	140,2
<b>CGKA 80</b>	R900327370	M48x2	64	90	205	185	80 -0,015	55 -0,15	47	82 <sup>6)</sup>	385	15,6	585	215,9
<b>CGKA 100</b>	R900327371	M64x3	86	110	240	240	100 -0,02	70 -0,2	57	116	660	28	865	319,2
<b>CGKD 100</b> <sup>5)</sup>	R900322030	M80x3	96	110	210	210	100 H7	100 h12	84	98	385	28	1060	391,1
<b>CGKD 125</b> <sup>5)</sup>	R900322026	M100x3	113	135	262	260	125 H7	125 h12	102	120	385	43	1200	442,8

1) Lubricating nipple, cone head form A according to DIN 71412

2) Bolt Ø h6 required

3) Cannot be re-lubricated

4) Can be re-lubricated via lubricating hole

5) Swivel head according to ISO 8132, bolt Ø m6 required

6) Dimensions may differ from the standard depending on the manufacturer

7) M<sub>A</sub> = tightening torque

The swivel head must always be screwed against the shoulder of the piston rod. Afterwards, the clamping screws must be tightened with the specified tightening torque.

8) m = weight of swivel head in kg

9) C<sub>0</sub> = static load rating of the swivel head

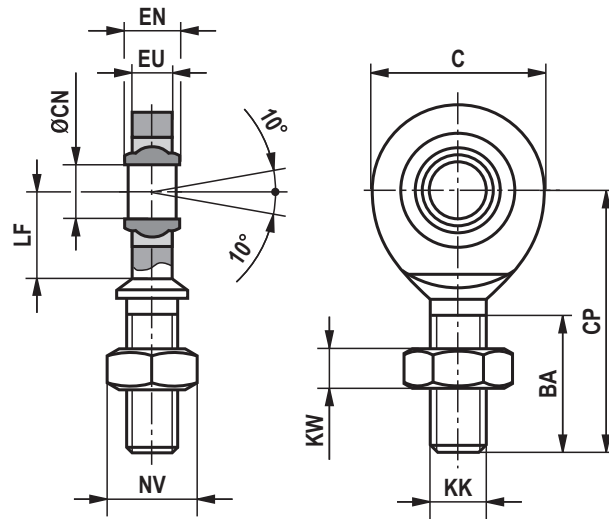
10) F<sub>adm</sub> = maximum admissible load on the swivel head during oscillatory or alternating loads

### Notice!

Geometry and dimensions may differ depending on the manufacturer. In case of combination with other mounting elements, check the suitability.

## Dimensions: Swivel head CGKL for series CDL2 (dimensions in mm)

### ISO 12240-4



Series CDL2		Type	Material no.	KK	BA min.	C	ØCN -0,008	CP max.	EN h12	EU max.	KW	LF min.	NV	m <sup>1)</sup> kg	C <sub>0</sub> <sup>2)</sup> kN	F <sub>adm</sub> <sup>3)</sup> kN
ØAL	ØMM															
25	14	CGKL 10	3712500031	M10	26	29	10	48	9	7,5	5	15	16	0,1	22	8,1
32	18	CGKL 12	3713200031	M12	28	34	12	54	10	8,5	6	18	18	0,1	30,4	11,2

ØAL = piston Ø

ØMM = piston rod Ø

<sup>1)</sup> *m* = weight of swivel head in kg

<sup>2)</sup> *C*<sub>0</sub> = static load rating of the swivel head in kN

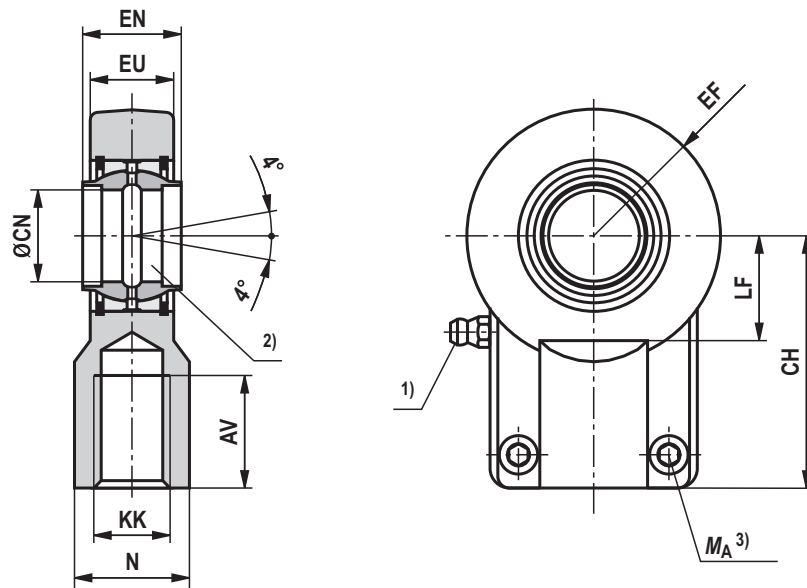
<sup>3)</sup> *F*<sub>adm</sub> = maximum admissible load on the swivel head during oscillatory or alternating loads

#### Notice!

Geometry and dimensions may differ depending on the manufacturer. In case of combination with other mounting elements, check the suitability.

## Dimensions: Swivel head CGKD (clampable) for series CDL2 (dimensions in mm)

ISO 8132



Series CDL2		Type	Material no.	Nominal force kN	AV min.	N max.	CH js13	EF max.	ØCN H7 <sup>2)</sup>	EN h12	EU max.
ØAL	ØMM										
40	22	CGKD 20	R900308576	20	23	28	52	25	20	20	17,5
40	25	CGKD 25	R900323332	32	29	31	65	32	25	25	22
50	28										
50	32	CGKD 32	R900322049	50	37	38	80	40	32	32	28
63	36	CGKD 40	R900322029	80	46	47	97	50	40	40	34
63	40										
80	45	CGKD 50	R900322719	125	57	58	120	63	50	50	42
80	50										
100	56	CGKD 63	R900322028	200	64	70	140	72,5	63	63	53,5
100	63										
125	70	CGKD 80	R900322700	320	86	91	180	92	80	80	68
125	80										
160	100	CGKD 100	R900322030	500	96	110	210	114	100	100	85,5
200	125	CGKD 125	R900322026	800	113	135	260	160	125	125	105



## Dimensions: Swivel head CGKD (clampable) for series CDL2 (dimensions in mm)

Series CDL2		Type	KK	LF min.	Clamping screws ISO 4762-10.9	$M_A$ <sup>3)</sup> Nm	$m$ <sup>4)</sup> kg	$C_0$ <sup>5)</sup> kN	$F_{adm}$ <sup>6)</sup> kN
ØAL	ØMM								
40	22	CGKD 20	M16x1,5	20,5	M8x20	25	0,35	48	17,7
40	25	CGKD 25	M20x1,5	25,5	M8x20	30	0,65	78	28,8
50	28								
50	32	CGKD 32	M27x2	30	M10x25	59	1,15	114	42,1
63	36								
63	40	CGKD 40	M33x2	39	M10x30	59	2,1	204	75,3
80	45								
80	50	CGKD 50	M42x2	47	M12x35	100	4	310	114,4
100	56								
100	63	CGKD 63	M48x2	58	M16x40	250	7,2	430	158,7
125	70								
125	80	CGKD 80	M64x3	74	M20x50	490	15	695	265,5
160	100	CGKD 100	M80x3	94	M24x60	840	25,5	1060	391,1
200	125	CGKD 125	M100x3	116	M24x70	840	52,5	1430	527,7

ØAL = piston Ø

ØMM = piston rod Ø

1) Lubricating nipple, cone head form A according to DIN 71412

2) Bolt Ø m6 required

3)  $M_A$  = tightening torque in Nm  
The swivel head must always be screwed against the shoulder of the piston rod. Afterwards, the clamping screws must be tightened with the specified tightening torque

4)  $m$  = weight of swivel head in kg

5)  $C_0$  = static load rating of the swivel head in kN

6)  $F_{adm}$  = maximum admissible load on the swivel head in kN during oscillatory or alternating loads

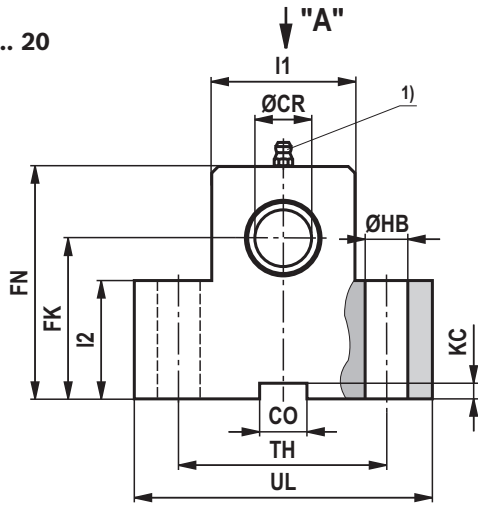
### Notice!

Geometry and dimensions may differ depending on the manufacturer. In case of combination with other mounting elements, check the suitability.

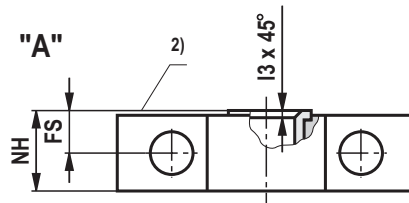
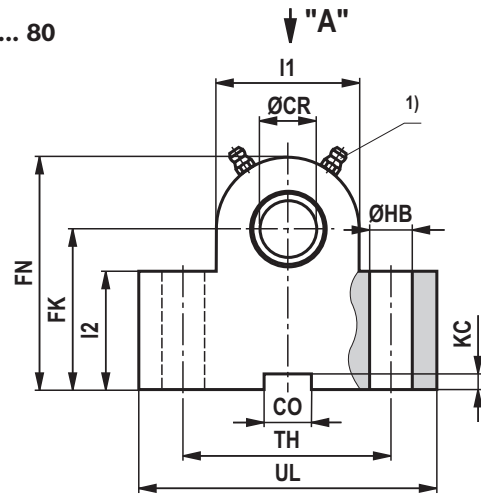
## Dimensions: Trunnion bracket CLTB for series CDL2 (dimensions in mm)

ISO 8132

CLTB 12 ... 20



CLTB 25 ... 80



Series CDL2		Type <sup>3)</sup>	Material no.	Nominal force kN <sup>4)</sup>	ØCR H7	CO N9	FK js12	FN max.	FS js14	ØHB H13
ØAL	ØMM									
25	14	CLTB 12	R900772607	8	12	10	34	50	8	9
32	18	CLTB 16	R900772608	12,5	16	16	40	60	10	11
40	22	CLTB 20	R900772609	20	20	16	45	70	10	11
40	25	CLTB 25	R900772610	32	25	25	55	80	12	13,5
50	28									
50	32	CLTB 32	R900772611	50	32	25	65	100	15	17,5
63	36									
63	40	CLTB 40	R900772612	80	40	36	76	120	16	22
80	45									
80	50	CLTB 50	R900772613	125	50	36	95	140	20	26
100	56									
100	63	CLTB 63	R900772614	200	63	50	112	180	25	33
125	70									
125	80	CLTB 80	R900772615	320	80	50	140	220	31	39

## Dimensions: Trunnion bracket CLTB for series CDL2 (dimensions in mm)

Series CDL2		Type <sup>3)</sup>	KC +0,3	I1	I2	I3	NH max.	TH js14	UL max.	m <sup>5)</sup> kg
ØAL	ØMM									
25	14	CLTB 12	3,3	25	25	1	17	40	63	0,4
32	18	CLTB 16	4,3	30	30	1	21	50	80	0,85
40	22	CLTB 20	4,3	40	38	1,5	21	60	90	1,2
40	25	CLTB 25	5,4	56	45	1,5	26	80	110	2,1
50	28									
50	32	CLTB 32	5,4	70	52	2	33	110	150	4,55
63	36									
63	40	CLTB 40	8,4	88	60	2,5	41	125	170	7,3
80	45									
80	50	CLTB 50	8,4	100	75	2,5	51	160	210	14,5
100	56									
100	63	CLTB 63	11,4	130	85	3	61	200	265	23,1
125	70									
125	80	CLTB 80	11,4	160	112	3,5	81	250	325	52,3

ØAL = piston Ø

ØMM = piston rod Ø

<sup>1)</sup> Lubricating nipple, cone head form A according to DIN 71412

<sup>2)</sup> Contact surface trunnion (inside)

<sup>3)</sup> Bearing blocks are always supplied in pairs

<sup>4)</sup> Nominal force applies to applications in pairs

<sup>5)</sup> **m** = weight of trunnion bracket in kg (specified per pair)

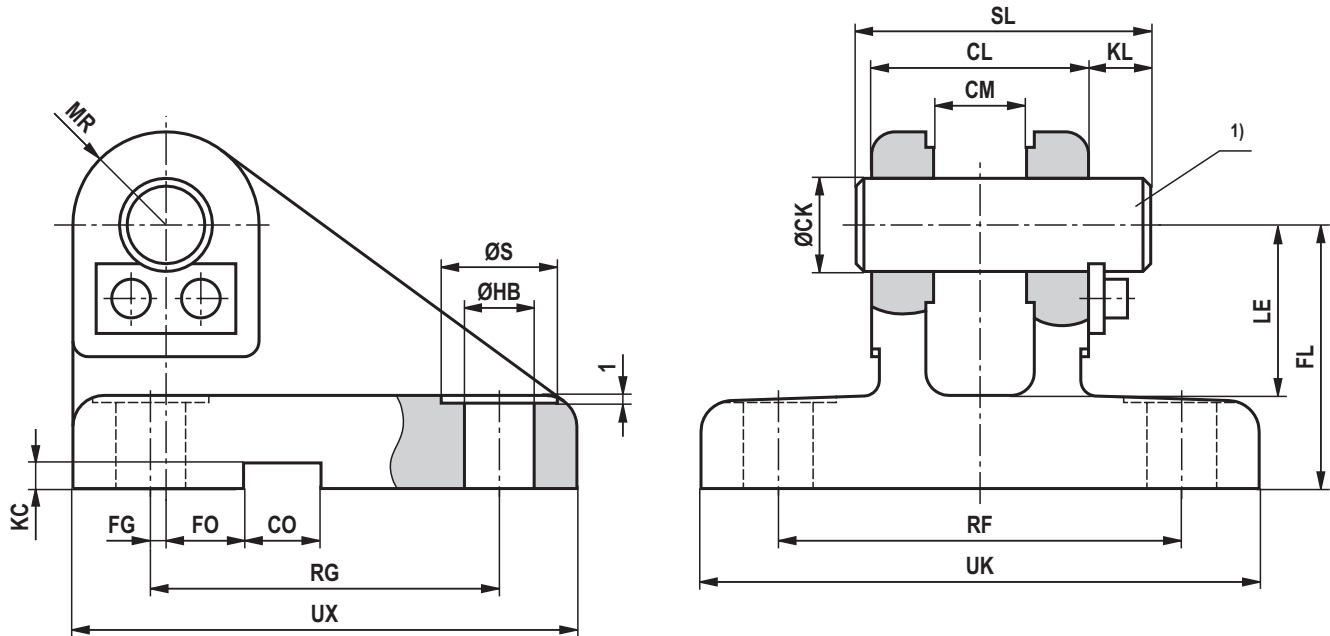
### Notice!

Geometry and dimensions may differ depending on the manufacturer. In case of combination with other mounting elements, check the suitability.

The trunnion brackets are suitable for mounting type MT4.

## Dimensions: Clevis bracket CLCA (clampable) for series CDL2 (dimensions in mm)

ISO 8132, form B



Series CDL2		Type	Material no.	Nominal force kN	ØCK H9 1)	CL h16	CM A12	CO N9	FG js14	FL js12	FO js14	ØHB H13
ØAL	ØMM											
25	14	CLCA 10 <sup>2)</sup>	<sup>3)</sup>	5	10	24	10	8	2	32	10	6,6
32	18	CLCA 12 <sup>2)</sup>	R900542861	8	12	28	12	10	2	34	10	9
40	22	CLCA 20	R900542863	20	20	45	20	16	7,5	45	10	11
40	25	CLCA 25	R900542864	32	25	56	25	25	10	55	10	13,5
50	28											
50	32	CLCA 32	R900542865	50	32	70	32	25	14,5	65	6	17,5
63	36											
63	40	CLCA 40	R900542866	80	40	90	40	36	17,5	76	6	22
80	45											
80	50	CLCA 50	R900542867	125	50	110	50	36	25	95	0	26
100	56											
100	63	CLCA 63	R900542868	200	63	140	63	50	33	112	0	33
125	70											
125	80	CLCA 80	R900542869	320	80	170	80	50	45	140	0	39
160	100	CLCA 100	<sup>3)</sup>	500	100	210	100	63	52,5	180	0	52
200	125	CLCA 125	<sup>3)</sup>	800	125	270	125	80	75	230	0	52

## Dimensions: Clevis bracket CLCA (clampable) for series CDL2 (dimensions in mm)

Series CDL2		Type	KC +0,3	KL	LE min.	MR max.	RF js14	RG js14	ØS	SL	UK max.	UX max.	m <sup>4)</sup> kg
ØAL	ØMM												
25	14	CLCA 10 <sup>2)</sup>	3,3	8	22	10	39	44	11	34	56	60	0,33
32	18	CLCA 12 <sup>2)</sup>	3,3	8	22	12	52	45	15	38	72	65	0,45
40	22	CLCA 20	4,3	10	30	20	75	70	18	58	100	95	1,5
40	25	CLCA 25	5,4	10	37	25	90	85	20	69	120	115	3
50	28												
50	32	CLCA 32	5,4	13	43	32	110	110	26	87	145	145	4,5
63	36												
63	40	CLCA 40	8,4	16	52	40	140	125	33	110	185	170	8,5
80	45												
80	50	CLCA 50	8,4	19	65	50	165	150	40	133	215	200	13,5
100	56												
100	63	CLCA 63	11,4	20	75	63	210	170	48	164	270	230	23,4
125	70												
125	80	CLCA 80	11,4	26	95	80	250	210	57	202	320	280	38,5
160	100	CLCA 100	12,4	30	120	100	315	250	76	246	405	345	99,2
200	125	CLCA 125	15,4	32	170	125	365	350	76	310	455	450	174,1

ØAL = piston Ø

ØMM = piston rod Ø

<sup>1)</sup> Bolt Ø m6 required

(bolt and bolt lock are included in the scope of delivery and are not mounted upon delivery)

<sup>2)</sup> 2 washers for mounting required

▶ for CLCA 10: Washer DIN 988 10x16x0.5  
Material no. R900061310

▶ for CLCA 12: Washer DIN 988 12x18x1  
Material no. R900006948

<sup>3)</sup> Upon request

<sup>4)</sup> **m** = weight of clevis bracket in kg

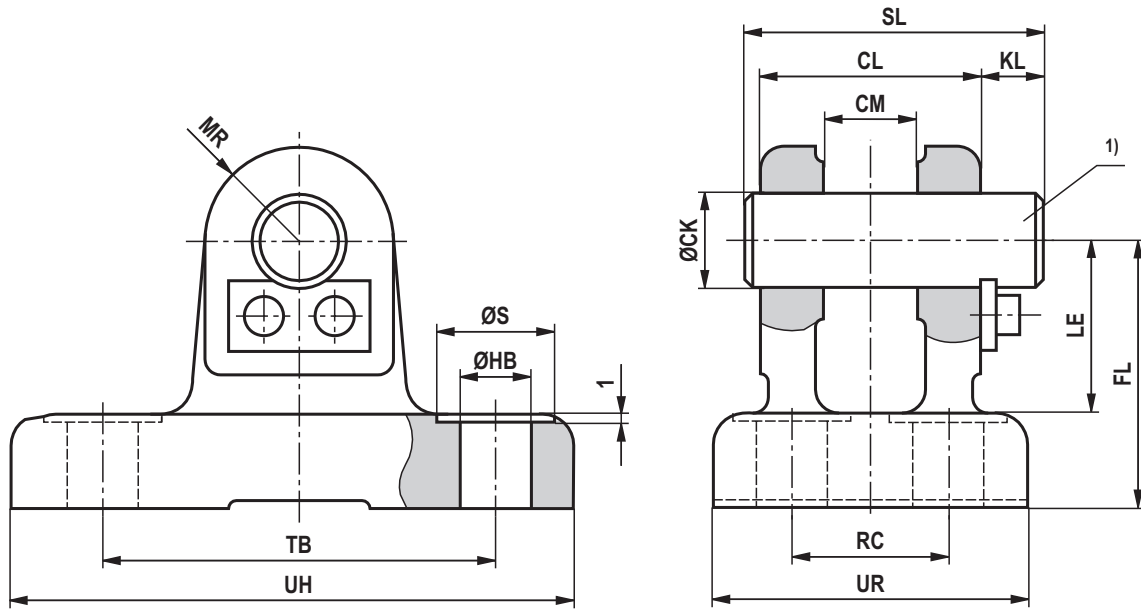
### Notice!

Geometry and dimensions may differ depending on the manufacturer. In case of combination with other mounting elements, check the suitability.

The clevis brackets are suitable for mounting type MP5 and for mounting on the swivel head.

### Dimensions: Clevis bracket CLCD (clampable) for series CDL2 (dimensions in mm)

ISO 8132, form A



Series CDL2		Type	Material no.	Nominal force kN	ØCK H9 <sup>1)</sup>	CL h16	CM A12	FL js12	ØHB H13	KL	LE min.
ØAL	ØMM										
25	14	CLCD 10 <sup>2)</sup>	<sup>3)</sup>	5	10	24	10	32	6,6	8	22
32	18	CLCD 12 <sup>2)</sup>	R900542879	8	12	28	12	34	9	8	22
40	22	CLCD 20	R900542881	20	20	45	20	45	11	10	30
40	25	CLCD 25	R900542882	32	25	56	25	55	13,5	10	37
50	28										
50	32	CLCD 32	R900542883	50	32	70	32	65	17,5	13	43
63	36										
63	40	CLCD 40	R900542884	80	40	90	40	76	22	16	52
80	45										
80	50	CLCD 50	R900542885	125	50	110	50	95	26	19	65
100	56										
100	63	CLCD 63	R900542886	200	63	140	63	112	33	20	75
125	70										
125	80	CLCD 80	R900542887	320	80	170	80	140	39	26	95
160	100	CLCD 100	<sup>3)</sup>	500	100	210	100	180	45	30	120
200	125	CLCD 125	<sup>3)</sup>	800	125	270	125	230	52	32	170

## Dimensions: Clevis bracket CLCD (clampable) for series CDL2 (dimensions in mm)

Series CDL2		Type	MR max.	RC js14	ØS	SL	TB js14	UR max.	UH max.	m <sup>3)</sup> kg
ØAL	ØMM									
25	14	CLCD 10 <sup>2)</sup>	10	17	11	34	42	33	60	0,27
32	18	CLCD 12 <sup>2)</sup>	12	20	15	38	50	40	70	0,35
40	22	CLCD 20	20	32	18	58	75	58	98	0,95
40	25	CLCD 25	25	40	20	69	85	70	113	1,9
50	28									
50	32	CLCD 32	32	50	26	87	110	85	143	3
63	36									
63	40	CLCD 40	40	65	33	110	130	108	170	5,5
80	45									
80	50	CLCD 50	50	80	40	133	170	130	220	10,6
100	56									
100	63	CLCD 63	63	100	48	164	210	160	270	17
125	70									
125	80	CLCD 80	80	125	57	202	250	210	320	32
160	100	CLCD 100	100	160	66	246	315	260	400	74
200	125	CLCD 125	125	200	76	310	385	320	470	129

ØAL = piston Ø

ØMM = piston rod Ø

<sup>1)</sup> Bolt Ø m6 required

(bolt and bolt lock are included in the scope of delivery and are not mounted upon delivery)

<sup>2)</sup> 2 washers for mounting required

▶ for CLCA 10: Washer DIN 988 10x16x0.5

Material no. R900061310

▶ for CLCA 12: Washer DIN 988 12x18x1

Material no. R900006948

<sup>3)</sup> Upon request

<sup>4)</sup> **m** = weight of clevis bracket in kg

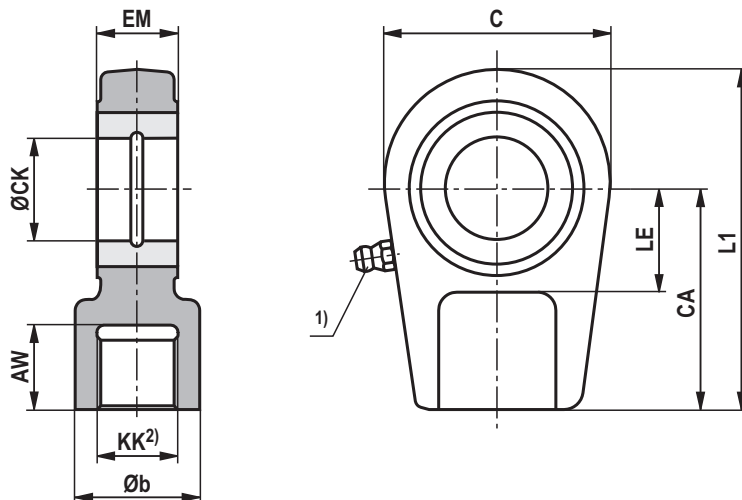
### Notice!

Geometry and dimensions may differ depending on the manufacturer. In case of combination with other mounting elements, check the suitability.

The clevis brackets are suitable for mounting type MP5 and for mounting on the swivel head.

**Dimensions: Plain clevis CSA** for series CDH1/CGH1/CSH1 and CDH3/CGH3/CSH3  
(dimension in mm)

AL: Ø 40 ... 200 mm



Series		Type	Material no.	AW	Øb	C	CA	ØCK H11	EM -0,4
CDH1 / CGH1 / CSH1 ØAL	CDH3 / CGH3 / CSH3 ØAL								
40	—	CSA 16	R900303150	17	28	56	50	25	23
50	40	CSA 22	R900303151	23	34	64	60	30	28
63	50	CSA 28	R900303152	29	44	78	70	35	30
80	63	CSA 35	R900303153	36	55	94	85	40	35
100	80	CSA 45	R900303154	46	70	116	105	50	40
125	100	CSA 58	R900303155	59	87	130	130	60	50
140	125	CSA 65	R900303156	66	93	154	150	70	55
160	140	CSA 80	R900303157	81	125	176	170	80	60
180	160	CSA100	R900303158	101	143	206	210	90	65
200	180	CSA110	R900303159	111	153	230	235	100	70
—	200	CSA120	R900303160	125	176	265	265	110	80



### Dimensions: Plain clevis CSA for series CDH1/CGH1/CSH1 and CDH3/CGH3/CSH3 (dimension in mm)

Series		Type	KK	LE	L1	m <sup>3)</sup> kg	C <sub>0</sub> <sup>4)</sup> kN	F <sub>adm</sub> <sup>5)</sup> kN
CDH1 / CGH1 / CSH1 ØAL	CDH3 / CGH3 / CSH3 ØAL							
40	–	<b>CSA 16</b>	M16x1,5	25	80	0,43	72	25,9
50	40	<b>CSA 22</b>	M22x1,5	30	94	0,7	106	38,2
63	50	<b>CSA 28</b>	M28x1,5	40	112	1,1	153	55,1
80	63	<b>CSA 35</b>	M35x1,5	45	135	2,0	250	90,0
100	80	<b>CSA 45</b>	M45x1,5	55	168	3,3	365	131,4
125	100	<b>CSA 58</b>	M58x1,5	65	200	5,5	400	144,0
140	125	<b>CSA 65</b>	M65x1,5	75	232	8,6	540	194,4
160	140	<b>CSA 80</b>	M80x2	80	265	12,2	670	241,2
180	160	<b>CSA100</b>	M100x2	90	323	21,5	980	352,8
200	180	<b>CSA110</b>	M110x2	105	360	27,5	1120	403,2
–	200	<b>CSA120</b>	M120x2	115	407,5	40,7	1700	612,0

ØAL = piston Ø

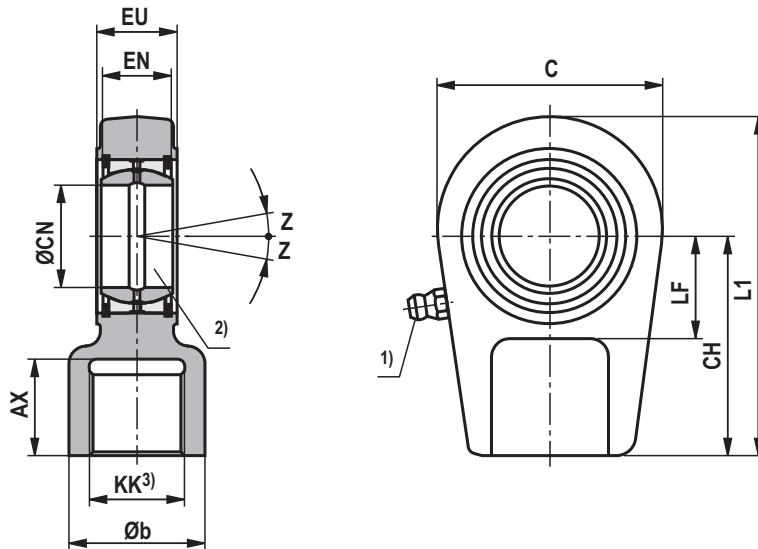
- 1) Lubricating nipple, cone head form A according to DIN 71412
- 2) The plain clevis must always be screwed against the shoulder of the piston rod
- 3) **m** = weight of plain clevis in kg
- 4) **C<sub>0</sub>** = static load rating of the plain clevis
- 5) **F<sub>adm</sub>** = maximum admissible load on the plain clevis during oscillatory or alternating loads

#### Notice!

The specified dimensions are maximum values and may differ depending on the manufacturer.  
The following values are excluded: CA, CK, EM, KK

### Dimensions: Swivel head CGA for series CDH1/CGH1/CSH1 and CDH3/CGH3/CSH3 (dimensions in mm)

AL-Ø 40 ... 280 mm



Series		Type	Material no.	AX min.	Øb max.	C	CH	ØCN <sup>2)</sup>	EN	EU -0,4
CDH1 / CGH1 / CSH1 ØAL	CDH3 / CGH3 / CSH3 ØAL									
40	—	<b>CGA 16</b>	R900303125	17	26	56	50	25 <sub>-0,010</sub>	20 <sub>-0,12</sub>	23
50	40	<b>CGA 22</b>	R900303126	23	33	64	60	30 <sub>-0,010</sub>	22 <sub>-0,12</sub>	28
63	50	<b>CGA 28</b>	R900303127	29	41	78	70	35 <sub>-0,012</sub>	25 <sub>-0,12</sub>	30
80	63	<b>CGA 35</b>	R900303128	36	50	94	85	40 <sub>-0,012</sub>	28 <sub>-0,12</sub>	35
100	80	<b>CGA 45</b>	R900303129	46	62	116	105	50 <sub>-0,012</sub>	35 <sub>-0,12</sub>	40
125	100	<b>CGA 58</b>	R900303130	59	76	130	130	60 <sub>-0,015</sub>	44 <sub>-0,15</sub>	50
140	125	<b>CGA 65</b>	R900303131	66	87	154	150	70 <sub>-0,015</sub>	49 <sub>-0,15</sub>	55
160	140	<b>CGA 80</b>	R900303132	81	106	176	170	80 <sub>-0,015</sub>	55 <sub>-0,15</sub>	60
180	160	<b>CGA100</b>	R900303133	101	125	206	210	90 <sub>-0,020</sub>	60 <sub>-0,20</sub>	65
200	180	<b>CGA110</b>	R900303134	111	139	230	235	100 <sub>-0,020</sub>	70 <sub>-0,20</sub>	70
220	200	<b>CGA120</b>	R900303135	125	153	265	265	110 <sub>-0,020</sub>	70 <sub>-0,20</sub>	80
250	220	<b>CGA120</b>	R900303135	125	153	265	265	110 <sub>-0,020</sub>	70 <sub>-0,20</sub>	80
280	250	<b>CGA130</b>	R900303136	135	173	340	310	120 <sub>-0,020</sub>	85 <sub>-0,20</sub>	90

## Dimensions: Swivel head CGA for series CDH1/CGH1/CSH1 and CDH3/CGH3/CSH3 (dimensions in mm)

### AL-Ø 40 ... 280 mm

Series		Type	KK	L1	LF min.	Z	m <sup>4)</sup> kg	C <sub>0</sub> <sup>5)</sup> kN	F <sub>adm</sub> <sup>6)</sup> kN
CDH1 / CGH1 / CSH1 ØAL	CDH3 / CGH3 / CSH3 ØAL								
40	–	<b>CGA 16</b>	M16x1,5	80	28	7°	0,43	72	25,9
50	40	<b>CGA 22</b>	M22x1,5	94	30	6°	0,7	106	38,2
63	50	<b>CGA 28</b>	M28x1,5	112	38	6°	1,1	153	55,1
80	63	<b>CGA 35</b>	M35x1,5	135	45	7°	2,0	250	90,0
100	80	<b>CGA 45</b>	M45x1,5	168	55	6°	3,3	365	131,4
125	100	<b>CGA 58</b>	M58x1,5	200	65	6°	5,5	400	144,0
140	125	<b>CGA 65</b>	M65x1,5	232	75	6°	8,6	540	194,4
160	140	<b>CGA 80</b>	M80x2	265	80	6°	12,2	670	241,2
180	160	<b>CGA100</b>	M100x2	323	90	5°	21,5	980	352,8
200	180	<b>CGA110</b>	M110x2	360	105	7°	27,5	1120	403,2
220	200	<b>CGA120</b>	M120x3	407,5	115	6°	40,7	1700	612,0
250	220	<b>CGA120</b>	M120x3	407,5	115	6°	40,7	1700	612,0
280	250	<b>CGA130</b>	M130x3	490	140	6°	76,4	2900	1044,0

ØAL = piston Ø

- 1) Lubricating nipple, cone head form A according to DIN 71412
- 2) Bolt Ø m6 required;  
Bolt Ø j6 required with maintenance-free spherical bearing
- 3) The swivel head must always be screwed against the shoulder of the piston rod
- 4) **m** = weight of swivel head in kg
- 5) **C<sub>0</sub>** = static load rating of the swivel head
- 6) **F<sub>adm</sub>** = maximum admissible load on the swivel head during oscillatory or alternating loads

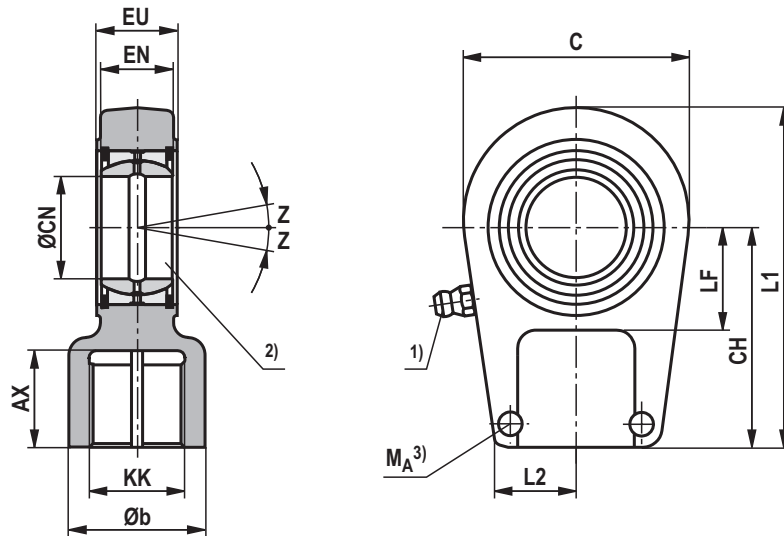
#### Notice!

The specified dimensions are maximum values and may differ depending on the manufacturer.

The following values are excluded: CH, CN, EN, EU, KK

**Dimensions: Swivel head CGAK (clampable) for series CDH1/CGH1/CSH1 and CDH3/CGH3/CSH3 (dimensions in mm)**

AL-Ø 40 ... 280 mm



Series		Type	Material no.	AX min.	Øb max.	C	CH	ØCN <sup>2)</sup>	EN	EU -0,4	KK
CDH1 / CGH1 / CSH1 ØAL	CDH3 / CGH3 / CSH3 ØAL										
40	—	CGAK 16	R900303162	17	26	56	50	25 <sub>-0,010</sub>	20 <sub>-0,12</sub>	23	M16x1,5
50	40	CGAK 22	R900303163	23	33	64	60	30 <sub>-0,010</sub>	22 <sub>-0,12</sub>	28	M22x1,5
63	50	CGAK 28	R900303164	29	41	78	70	35 <sub>-0,012</sub>	25 <sub>-0,12</sub>	30	M28x1,5
80	63	CGAK 35	R900303165	36	50	94	85	40 <sub>-0,012</sub>	28 <sub>-0,12</sub>	35	M35x1,5
100	80	CGAK 45	R900303166	46	62	116	105	50 <sub>-0,012</sub>	35 <sub>-0,12</sub>	40	M45x1,5
125	100	CGAK 58	R900303167	59	76	130	130	60 <sub>-0,015</sub>	44 <sub>-0,15</sub>	50	M58x1,5
140	125	CGAK 65	R900303168	66	87	154	150	70 <sub>-0,015</sub>	49 <sub>-0,15</sub>	55	M65x1,5
160	140	CGAK 80	R900303169	81	106	176	170	80 <sub>-0,015</sub>	55 <sub>-0,15</sub>	60	M80x2
180	160	CGAK100	R900321655	101	125	206	210	90 <sub>-0,020</sub>	60 <sub>-0,20</sub>	65	M100x2
200	180	CGAK110	R900321691	111	139	231	235	100 <sub>-0,020</sub>	70 <sub>-0,20</sub>	70	M110x2
220	200	CGAK120	R900321621	125	155	266	265	110 <sub>-0,020</sub>	70 <sub>-0,20</sub>	80	M120x3
250	220	CGAK120	R900321621	125	153	265	265	110 <sub>-0,020</sub>	70 <sub>-0,20</sub>	80	M120x3
280	250	CGAK130	R900322015	135	173	340	310	120 <sub>-0,020</sub>	85 <sub>-0,20</sub>	90	M130x3

## Dimensions: Swivel head CGAK (clampable) for series CDH1/CGH1/CSH1 and CDH3/CGH3/CSH3 (dimensions in mm)

Series		Type	L1	L2 max.	LF	Z	Clamping screws ISO 4762-10.9	$M_A$ <sup>3)</sup> Nm	$m$ <sup>4)</sup> kg	$C_0$ <sup>5)</sup> kN	$F_{adm}$ <sup>6)</sup> kN
CDH1 / CGH1 / CSH1 ØAL	CDH3 / CGH3 / CSH3 ØAL										
40	—	CGAK 16	80	24	28	7°	M8	30	0,43	72	25,9
50	40	CGAK 22	94	26	30	6°	M8	30	0,7	106	38,2
63	50	CGAK 28	112	34	38	6°	M10	54	1,1	153	55,1
80	63	CGAK 35	135	39	45	7°	M10	59	2,0	250	90,0
100	80	CGAK 45	168	46	55	6°	M12	100	3,3	365	131,4
125	100	CGAK 58	200	61	65	6°	M16	250	5,5	400	144,0
140	125	CGAK 65	232	66	75	6°	M16	250	8,6	540	194,4
160	140	CGAK 80	265	81	80	6°	M20	490	12,2	670	241,2
180	160	CGAK100	323	91	90	5°	M20	490	21,5	980	352,8
200	180	CGAK110	360	101	105	7°	M24	840	27,5	1120	403,2
220	200	CGAK120	407,5	111	115	6°	M24	840	40,7	1700	612,0
250	220	CGAK120	407,5	111	115	6°	M24	840	40,7	1700	612,0
280	250	CGAK130	490	129	140	6°	M24	840	76,4	2900	1044,0

ØAL = piston Ø

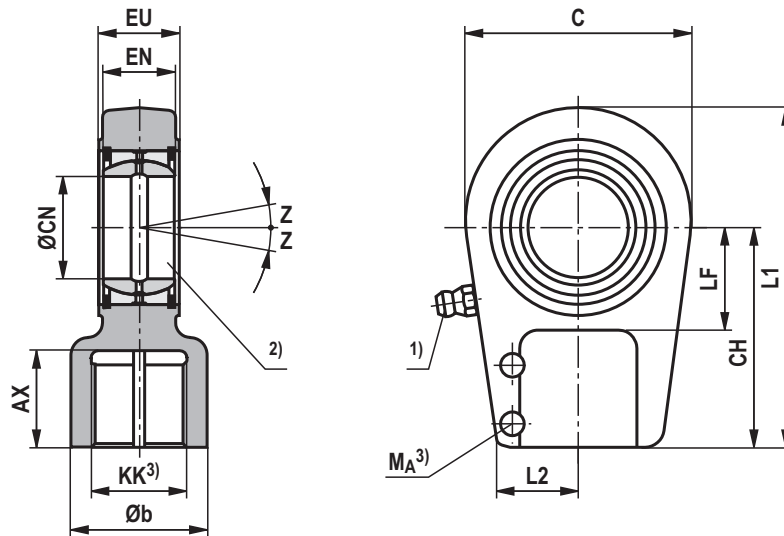
- 1) Lubricating nipple, cone head form A according to DIN 71412
- 2) Bolt Ø m6 required;  
Bolt Ø j6 required with maintenance-free spherical bearing
- 3)  $M_A$  = tightening torque  
The swivel head must always be screwed against the shoulder of the piston rod. Afterwards, the clamping screws must be tightened with the specified tightening torque.
- 4)  $m$  = weight of swivel head in kg
- 5)  $C_0$  = static load rating of the swivel head
- 6)  $F_{adm}$  = maximum admissible load on the swivel head during oscillatory or alternating loads

### Notice!

The specified dimensions are maximum values and may differ depending on the manufacturer.

The following values are excluded: CH, CN, EN, EU, KK

**Dimensions: Swivel head CGAS (clampable) for series CDH1/CGH1/CSH1 and CDH3/CGH3/CSH3 (dimensions in mm)**



Series		Type	Material no.	AX min.	Øb max.	C max.	CH	ØCN <sup>2)</sup>	EN	EU -0,4	KK
CDH1 / CGH1 / CSH1 ØAL	CDH3 / CGH3 / CSH3 ØAL										
40	—	CGAS 25	R900303137	30	28	56	65	25 <sub>-0,010</sub>	20 <sub>-0,12</sub>	23	M18x2
50	40	CGAS 30	R900303138	35	34	64	75	30 <sub>-0,010</sub>	22 <sub>-0,12</sub>	28	M24x2
63	50	CGAS 35	R900303139	46	46	78	90	35 <sub>-0,012</sub>	25 <sub>-0,12</sub>	30	M30x2
80	63	CGAS 40	R900303140	56	57	94	105	40 <sub>-0,012</sub>	28 <sub>-0,12</sub>	35	M39x3
100	80	CGAS 50	R900303141	76	70	116	135	50 <sub>-0,012</sub>	35 <sub>-0,12</sub>	40	M50x3
125	100	CGAS 60	R900303142	96	87	130	170	60 <sub>-0,015</sub>	44 <sub>-0,15</sub>	50	M64x3
140	125	CGAS 70	R900303143	112	111	154	195	70 <sub>-0,015</sub>	49 <sub>-0,15</sub>	55	M80x3
160	140	CGAS 80	R900303144	122	129	176	210	80 <sub>-0,015</sub>	55 <sub>-0,15</sub>	60	M90x3
180	160	CGAS 90	R900303145	142	153	211	250	90 <sub>-0,020</sub>	60 <sub>-0,20</sub>	65	M100x3
200	180	CGAS100	R900303146	152	170	230	275	100 <sub>-0,020</sub>	70 <sub>-0,20</sub>	70	M110x4
220	200	CGAS110	R900303147	162	180	264	300	110 <sub>-0,020</sub>	70 <sub>-0,20</sub>	80	M120x4
250	220	CGAS110	R900303147	162	180	264	300	110 <sub>-0,020</sub>	70 <sub>-0,20</sub>	80	M120x4
280	250	CGAS120	R900303148	192	210	340	360	120 <sub>-0,020</sub>	85 <sub>-0,20</sub>	90	M150x4
320	280	CGAS140	R900317314	210	230	380	420	140 <sub>-0,025</sub>	90 <sub>-0,25</sub>	110	M160x4
—	320	CGAS160	R900303149	221	260	480	460	160 <sub>-0,025</sub>	105 <sub>-0,25</sub>	110	M180x4

## Dimensions: Swivel head CGAS (clampable) for series CDH1/CGH1/CSH1 and CDH3/CGH3/CSH3 (dimensions in mm)

Series		Type	L1 max.	L2 max.	LF min.	Z <sup>3)</sup>	Clamping screws ISO 4762-10.9	M <sub>A</sub> <sup>4)</sup> Nm	m <sup>5)</sup> kg	C <sub>0</sub> <sup>6)</sup> kN	F <sub>adm</sub> <sup>7)</sup> kN
CDH1 / CGH1 / CSH1 ØAL	CDH3 / CGH3 / CSH3 ØAL										
40	—	CGAS 25	95	24	25	7-8°	M8	30	0,65	82	27,1
50	40	CGAS 30	109	28	30	6-7°	M8	30	1,0	122	40,3
63	50	CGAS 35	132	36	40	6-7°	M10	59	1,5	177	58,4
80	63	CGAS 40	155	39	44	7°	M12	100	2,4	287	94,7
100	80	CGAS 50	198	45	55	6-7°	M12	100	4,8	422	139,3
125	100	CGAS 60	240	59	65	6-7°	M16	250	8,6	522	172,3
140	125	CGAS 70	279	70	75	6°	M16	250	12,2	707	233,3
160	140	CGAS 80	305	85	80	6°	M20	490	18,4	870	287,1
180	160	CGAS 90	366	91	90	5°	M20	490	31,6	1284	423,7
200	180	CGAS100	400	95	105	7°	M20	490	34	1460	481,8
220	200	CGAS110	443	106	115	6°	M24	840	44	2024	667,9
250	220	CGAS110	443	106	115	6°	M24	840	44	2024	667,9
280	250	CGAS120	540	122	140	6°	M24	840	75	2970	980,1
320	280	CGAS140	620	129	185	7°	M30	1700	160	3350	1105,5
—	320	CGAS160	710	146	200	8°	M30	1700	235	4302	1419,7

ØAL = piston Ø

<sup>1)</sup> Lubricating nipple, cone head form A according to DIN 71412

<sup>2)</sup> Bolt Ø m6 required;

Bolt Ø j6 required with maintenance-free spherical bearing

<sup>3)</sup> Dimensions may differ depending on the manufacturer

<sup>4)</sup> M<sub>A</sub> = tightening torque

The swivel head must always be screwed against the shoulder of the piston rod. Afterwards, the clamping screws must be tightened with the specified tightening torque.

<sup>5)</sup> m = weight of swivel head in kg

<sup>6)</sup> C<sub>0</sub> = static load rating of the swivel head

<sup>7)</sup> F<sub>adm</sub> = maximum admissible load on the swivel head during oscillatory or alternating loads

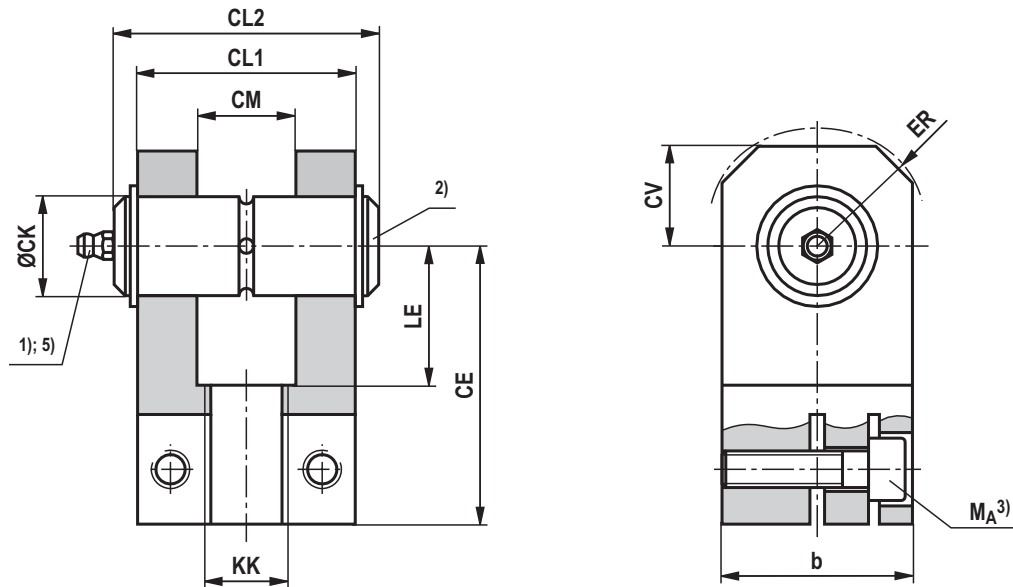
### Notice!

The specified dimensions are maximum values and may differ depending on the manufacturer.

The following values are excluded: CH, CN, EN, EU, KK

**Dimensions: Fork clevis CCKB (clampable) for series CDH2/CGH2/CSH2 and CDM1/CGM1/CSM1 (dimensions in mm)**

ISO 8132



Series				Type	Material no.	Nominal force kN	b max.	CE js13	ØCK H9 2)	CL1 h16	CL2 max.	CM A13	ER max.
CDH2 / CGH2 / CSH2 ØAL	CDH2 / CGH2 / CSH2 ØMM	CDM1 / CGM1 / CSM1 ØAL	CDM1 / CGM1 / CSM1 ØMM										
–	–	25	14 / 18	CCKB 12 5)	R900542842	8	25	38	12	28	49	12	16
–	–	25	18	CCKB 16	R900542843	12,5	30	44	16	36	57	16	20
		32	18 / 22										
–	–	32	22	CCKB 20	R900542844	20	40	52	20	45	72	20	25
		40	22 / 28										
40	25 / 28	40	28	CCKB 25	R900542845	32	50	65	25	56	84	25	32
		50	28 / 36										
50	32 / 36	50	36	CCKB 32	R900542846	50	65	80	32	70	105	32	40
		63	36 / 45										
63	40 / 45	63	45	CCKB 40	R900542847	80	80	97	40	90	133	40	50
		80	45 / 56										
80	50 / 56	80	56	CCKB 50	R900542848	125	100	120	50	110	165	50	63
		100	56 / 70										
100	63 / 70	100	70	CCKB 63	R900542849	200	140	140	63	140	185	63	71
		125	70 / 90										
125	80 / 90	125	90	CCKB 80	R900542850	320	180	180	80	170	225	80	90
		160	90 / 110										
140	90 / 100	–	–	CCKB 90	6)	400	200	195	90	190	6)	90	100
160	100 / 110	160	110	CCKB 100	6)	500	220	210	100	210	6)	100	110
		200	110 / 140										



**Dimensions: Fork clevis CCKB** (clampable) for series CDH2/CGH2/CSH2 and CDM1/CGM1/CSM1 (dimensions in mm)

Series				Type	KK	LE min.	CV max.	Clamping screws ISO 4762-10.9	$M_A^{3)}$ Nm	$m^{4)}$ kg
CDH2 / ØAL	CGH2 / ØMM	CSH2 / ØAL	CDM1 / CGM1 / CSM1 / ØMM							
–	–	25	14 / 18	CCKB 12 <sup>5)</sup>	M12x1,25	18	16	M4x16	2,9	0,2
–	–	25	18	CCKB 16	M14x1,5	22	20	M6x20	10	0,35
–	–	32	18 / 22							
–	–	32	22	CCKB 20	M16x1,5	27	25	M8x30	25	0,7
–	–	40	22 / 28							
40	25 / 28	40	28	CCKB 25	M20x1,5	34	32	M10x35	49	1,4
		50	28 / 36							
50	32 / 36	50	36	CCKB 32	M27x2	41	40	M12x40	85	2,8
		63	36 / 45							
63	40 / 45	63	45	CCKB 40	M33x2	51	50	M16x50	210	5,2
		80	45 / 56							
80	50 / 56	80	56	CCKB 50	M42x2	63	63	M20x60	425	9,5
		100	56 / 70							
100	63 / 70	100	70	CCKB 63	M48x2	75	71	M24x80	730	21,5
		125	70 / 90							
125	80 / 90	125	90	CCKB 80	M64x3	94	90	M30x100	1450	38,2
		160	90 / 110							
140	90 / 100	–	–	CCKB 90	M72x3	108	100	M36x120	2480	<sup>6)</sup>
160	100 / 110	160	110	CCKB 100	M80x3	114	110	M36x130	2480	<sup>6)</sup>
		200	110 / 140							

ØAL = piston Ø

ØMM = piston rod Ø

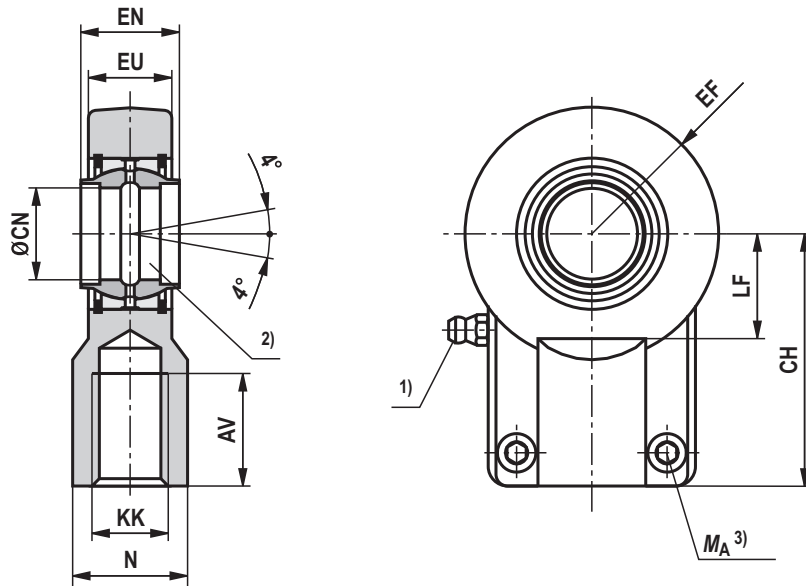
- 1) Lubricating nipple, cone head form A according to DIN 71412
- 2) Bolt Ø m6 required  
(bolt and bolt lock are included in the scope of delivery and are not mounted upon delivery)
- 3)  $M_A$  = tightening torque  
The fork clevis must always be screwed against the shoulder of the piston rod. Afterwards, the clamping screws must be tightened with the specified tightening torque.
- 4)  $m$  = weight of the fork clevis in kg
- 5) Without lubrication bore
- 6) Upon request

 **Notice!**

Geometry and dimensions may differ depending on the manufacturer. In case of combination with other mounting elements, check the suitability.

**Dimensions: Swivel head CGKD** (clampable) for series CDH2/CGH2/CSH2 and CDM1/CGM1/CSM1 (dimensions in mm)

## ISO 8132



Series				Type	Material no.	Nominal force kN	AV min.	N max.	CH js13	EF max.	ØCN H7 2)	EN h12	EU max.
CDH2 / CGH2 / CSH2	CDM1 / CGM1 / CSM1	ØAL	ØMM										
–	–	25	14 / 18	CGKD 12 7)	R900540998	8	17	19	38	16,5	12	12	11
–	–	25	18	CGKD 16	R900308559	12,5	19	22	44	20,5	16	16	14
		32	18 / 22										
–	–	32	22	CGKD 20	R900308576	20	23	28	52	25	20	20	17,5
		40	22 / 28										
40	25 / 28	40	28	CGKD 25	R900323332	32	29	31	65	32	25	25	22
		50	28 / 36										
50	32 / 36	50	36	CGKD 32	R900322049	50	37	38	80	40	32	32	28
		63	36 / 45										
63	40 / 45	63	45	CGKD 40	R900322029	80	46	47	97	50	40	40	34
		80	45 / 56										
80	50 / 56	80	56	CGKD 50	R900322719	125	57	58	120	63	50	50	42
		100	56 / 70										
100	63 / 70	100	70	CGKD 63	R900322028	200	64	70	140	72,5	63	63	53,5
		125	70 / 90										
125	80 / 90	125	90	CGKD 80	R900322700	320	86	91	180	92	80	80	68
		160	90 / 110										
140	90 / 100	–	–	CGKD 90 8)	R900325702	400	91	100	195	101	90	90	72
160	100 / 110	160	110	CGKD 100	R900322030	500	96	110	210	114	100	100	85,5
		200	110 / 140										
180	110 / 125	–	–	CGKD 110 8)	R900308153	635	106	125	235	129	110	110	88
200	125 / 140	200	140	CGKD 125	R900322026	800	113	135	260	160	125	125	105
220	140 / 160	–	–	CGKD 160	R900300718	1.520	126	165	310	200	160	160	133
250	160 / 180	–	–										
280	180 / 200	–	–	CGKD 200	R900324814	2.000	161	215	390	250	200	200	165
320	200 / 220	–	–										

**Dimensions: Swivel head CGKD (clampable) for series CDH2/CGH2/CSH2 and CDM1/CGM1/CSM1 (dimensions in mm))**

Series				Type	KK	LF min.	Clamping screws ISO 4762-10.9	$M_A$ <sup>3)</sup> Nm	$m$ <sup>4)</sup> kg	$C_0$ <sup>5)</sup> kN	$F_{adm}$ <sup>6)</sup> kN
CDH2 / CGH2 / CSH2 ØAL	ØMM	CDM1 / CGM1 / CSM1 ØAL	ØMM								
–	–	25	14 / 18	CGKD 12 <sup>7)</sup>	M12x1,25	13	M5x16	6	0,1	24,5	9,0
–	–	25	18	CGKD 16	M14x1,5	16,5	M6x14	10	0,2	36,5	13,5
		32	18 / 22								
–	–	32	22	CGKD 20	M16x1,5	20,5	M8x20	25	0,35	48	17,7
		40	22 / 28								
40	25 / 28	40	28	CGKD 25	M20x1,5	25,5	M8x20	30	0,65	78	28,8
		50	28 / 36								
50	32 / 36	50	36	CGKD 32	M27x2	30	M10x25	59	1,15	114	42,1
		63	36 / 45								
63	40 / 45	63	45	CGKD 40	M33x2	39	M10x30	59	2,1	204	75,3
		80	45 / 56								
80	50 / 56	80	56	CGKD 50	M42x2	47	M12x35	100	4	310	114,4
		100	56 / 70								
100	63 / 70	100	70	CGKD 63	M48x2	58	M16x40	250	7,2	430	158,7
		125	70 / 90								
125	80 / 90	125	90	CGKD 80	M64x3	74	M20x50	490	15	695	265,5
		160	90 / 110								
140	90 / 100	–	–	CGKD 90 <sup>8)</sup>	M72x3	85	M20x60	490	19	750	276,8
160	100 / 110	160	110	CGKD 100	M80x3	94	M24x60	840	25,5	1060	391,1
		200	110 / 140								
180	110 / 125	–	–	CGKD 110 <sup>8)</sup>	M90x3	105	M24x60	840	36,5	1200	442,8
200	125 / 140	200	140	CGKD 125	M100x3	116	M24x70	840	52,5	1430	527,7
220	140 / 160	–	–	CGKD 160	M125x4	145	M24x80	840	82,5	2200	811,8
250	160 / 180	–	–								
280	180 / 200	–	–	CGKD 200	M160x4	190	M30x100	1700	168	3650	1346,9
320	200 / 220	–	–								

ØAL = piston Ø

ØMM = piston rod Ø

<sup>1)</sup> Lubricating nipple, cone head form A according to DIN 71412

<sup>2)</sup> Bolt Ø m6 required

<sup>3)</sup>  $M_A$  = tightening torque

The swivel head must always be screwed against the shoulder of the piston rod. Afterwards, the clamping screws must be tightened with the specified tightening torque.


<sup>4)</sup>  $m$  = weight of swivel head in kg

<sup>5)</sup>  $C_0$  = static load rating of the swivel head

<sup>6)</sup>  $F_{adm}$  = maximum admissible load on the swivel head during oscillatory or alternating loads

<sup>7)</sup> Bearing cannot be re-lubricated

<sup>8)</sup> Not contained in the standard

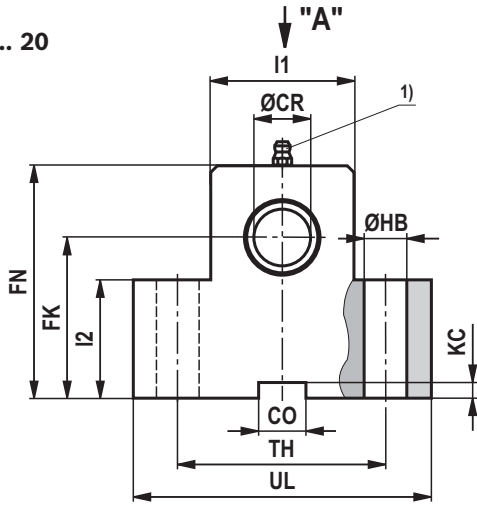
 **Notice!**

Geometry and dimensions may differ depending on the manufacturer. In case of combination with other mounting elements, check the suitability.

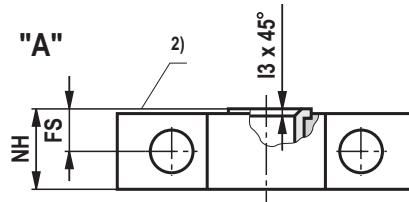
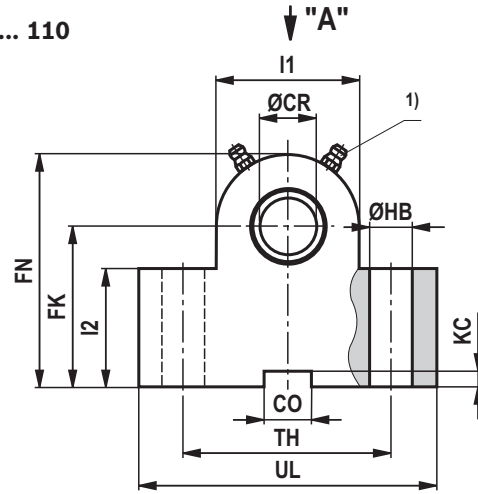
**Dimensions: Trunnion bracket CLTB** for series CDH2/CGH2/CSH2 and CDM1/CGM1/CSM1 (dimensions in mm)

ISO 8132

CLTB 12 ... 20



CLTB 25 ... 110



Series		Type <sup>3)</sup>	Material no.	Nominal force kN <sup>4)</sup>	ØCR H7	CO N9	FK js12	FN max.	FS js14	ØHB H13	KC +0,3
CDH2 / CGH2 / CSH2 ØAL	CDM1 / CGM1 / CSM1 ØAL										
–	25	CLTB 12	R900772607	8	12	10	34	50	8	9	3,3
–	32	CLTB 16	R900772608	12,5	16	16	40	60	10	11	4,3
–	40	CLTB 20	R900772609	20	20	16	45	70	10	11	4,3
40	50	CLTB 25	R900772610	32	25	25	55	80	12	13,5	5,4
50	63	CLTB 32	R900772611	50	32	25	65	100	15	17,5	5,4
63	80	CLTB 40	R900772612	80	40	36	76	120	16	22	8,4
80	100	CLTB 50	R900772613	125	50	36	95	140	20	26	8,4
100	125	CLTB 63	R900772614	200	63	50	112	180	25	33	11,4
125	160 <sup>6)</sup>	CLTB 80	R900772615	320	80	50	140	220	31	39	11,4
140	–	CLTB 90	R901364220	385	90	63	160	250	40	45	12,4
160	200 <sup>6)</sup>	CLTB 100	R901205929	500	100	63	180	280	45	52	12,4
180	–	CLTB 110	R901364223	630	110	80	200	310	50	52	15,4

## Dimensions: Trunnion bracket **CLTB** for series CDH2/CGH2/CSH2 and CDM1/CGM1/CSM1 (dimensions in mm)

Series		Type <sup>3)</sup>	l1	l2	l3	NH max.	TH js14	UL max.	m <sup>5)</sup> kg
CDH2 / CGH2 / CSH2 ØAL	CDM1 / CGM1 / CSM1 ØAL								
–	25	<b>CLTB 12</b>	25	25	1	17	40	63	0,4
–	32	<b>CLTB 16</b>	30	30	1	21	50	80	0,85
–	40	<b>CLTB 20</b>	40	38	1,5	21	60	90	1,2
40	50	<b>CLTB 25</b>	56	45	1,5	26	80	110	2,1
50	63	<b>CLTB 32</b>	70	52	2	33	110	150	4,55
63	80	<b>CLTB 40</b>	88	60	2,5	41	125	170	7,3
80	100	<b>CLTB 50</b>	100	75	2,5	51	160	210	14,5
100	125	<b>CLTB 63</b>	130	85	3	61	200	265	23,1
125	160 <sup>6)</sup>	<b>CLTB 80</b>	160	112	3,5	81	250	325	52,3
140	–	<b>CLTB 90</b>	180	130	4	91	265	345	7)
160	200 <sup>6)</sup>	<b>CLTB 100</b>	200	145	4,5	102	295	385	7)
180	–	<b>CLTB 110</b>	220	160	5	112	320	410	7)

ØAL = piston Ø

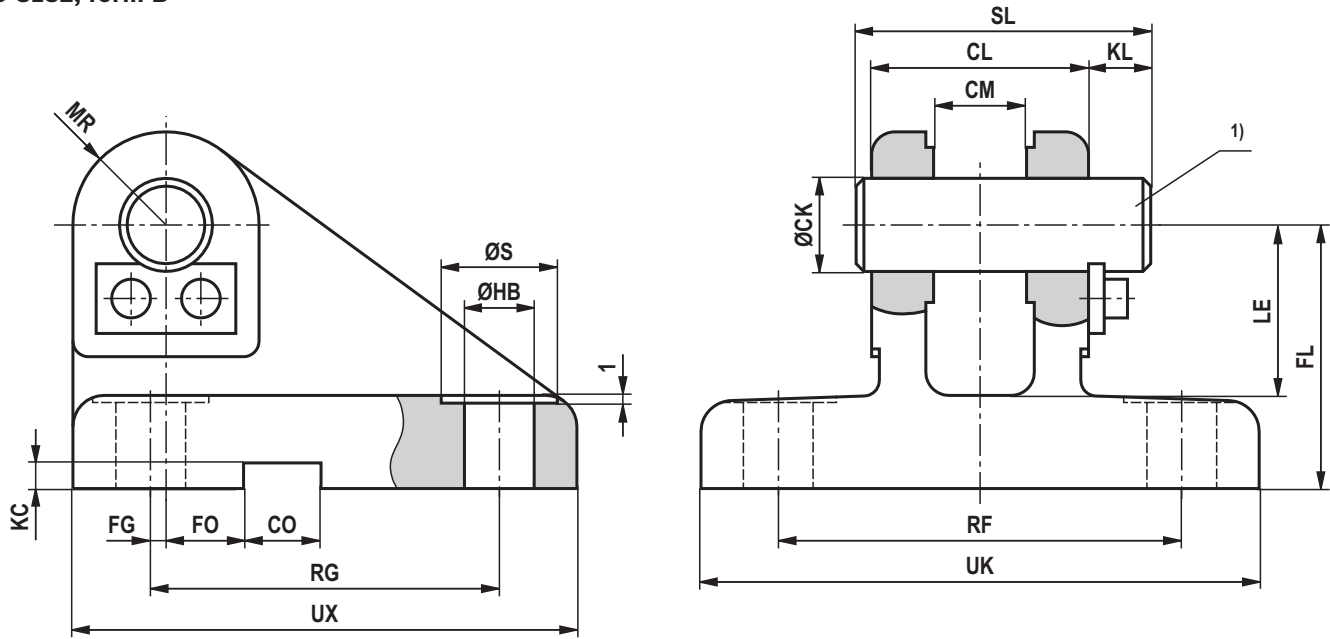
- 1) Lubricating nipple, cone head form A according to DIN 71412
- 2) Contact surface trunnion (inside)
- 3) Bearing blocks are always supplied in pairs
- 4) Nominal force applies to applications in pairs
- 5) **m** = weight of trunnion bracket in kg (specified per pair)
- 6) Bearing blocks for piston Ø 160 and 200 mm, dimensions differ for replacement transactions (CDM1 / CGM1 / CSM1 series 1X). Please consult us.
- 7) Upon request

### Notice!

Geometry and dimensions may differ depending on the manufacturer. In case of combination with other mounting elements, check the suitability. The trunnion brackets are suitable for mounting type MT4.

**Dimensions: Clevis bracket CLCA** (clampable) for series CDH2/CGH2/CSH2 and CDM1/CGM1/CSM1 (dimensions in mm)

ISO 8132, form B



Series					Type	Material no	Nominal force kN	ØCK H9 <sup>1)</sup>	CL h16	CM A12	CO N9	FG js14	FL js12	FO js14
CDH2 / CGH2 / CSH2 ØAL	CGH2 / CSH2 ØMM	CDM1 / CGM1 / CSM1 ØAL ØAL ØMM												
–	–	25	25	14 / 18	CLCA 12	R900542861	8	12	28	12	10	2	34	10
–	–	32	25	18	CLCA 16	R900542862	12,5	16	36	16	16	3,5	40	10
–	–		32	18 / 22										
–	–	40	32	22	CLCA 20	R900542863	20	20	45	20	16	7,5	45	10
–	–		40	22 / 28										
40	25 / 28	50	40	28	CLCA 25	R900542864	32	25	56	25	25	10	55	10
–	–		50	28 / 36										
50	32 / 36	63	50	36	CLCA 32	R900542865	50	32	70	32	25	14,5	65	6
–	–		63	36 / 45										
63	40 / 45	80	63	45	CLCA 40	R900542866	80	40	90	40	36	17,5	76	6
–	–		80	45 / 56										
80	50 / 56	100	80	56	CLCA 50	R900542867	125	50	110	50	36	25	95	0
–	–		100	56 / 70										
100	63 / 70	125	100	70	CLCA 63	R900542868	200	63	140	63	50	33	112	0
–	–		125	70 / 90										
125	80 / 90	160	125	90	CLCA 80	R900542869	320	80	170	80	50	45	140	0
–	–		160	90 / 110										
140	90 / 100	–	–	–	CLCA 90	3)	400	90	190	90	63	47,5	160	0
160	100 / 110	200	160	110	CLCA 100	3)	500	100	210	100	63	52,5	180	0
–	–		200	110 / 140										
180	110 / 125	–	–	–	CLCA 110	3)	635	110	240	110	80	62,5	200	0
200	125 / 140	–	200	140	CLCA 125	3)	800	125	270	125	80	75	230	0

**Dimensions: Clevis bracket CLCA** (clampable) for series CDH2/CGH2/CSH2 and CDM1/CGM1/CSM1 (dimensions in mm)

Series					Type	ØHB H13	KC +0,3	KL	LE min.	MR max.	RF js14	RG js14	ØS	SL	UK max.	UX max.	m <sup>2)</sup> kg
CDH2 / CGH2 / CSH2		CDM1 / CGM1 / CSM1															
ØAL	ØMM	ØAL	ØAL	ØMM													
–	–	25	25	14 / 18	CLCA 12	9	3,3	8	22	12	52	45	15	38	72	65	0,45
–	–	32	25	18	CLCA 16	11	4,3	8	27	16	65	55	18	46	90	80	1
			32	18 / 22													
–	–	40	32	22	CLCA 20	11	4,3	10	30	20	75	70	18	58	100	95	1,5
			40	22 / 28													
40	25 / 28	50	40	28	CLCA 25	13,5	5,4	10	37	25	90	85	20	69	120	115	3
			50	28 / 36													
50	32 / 36	63	50	36	CLCA 32	17,5	5,4	13	43	32	110	110	26	87	145	145	5
			63	36 / 45													
63	40 / 45	80	63	45	CLCA 40	22	8,4	16	52	40	140	125	33	110	185	170	9,6
			80	45 / 56													
80	50 / 56	100	80	56	CLCA 50	26	8,4	19	65	50	165	150	40	133	215	200	15,5
			100	56 / 70													
100	63 / 70	125	100	70	CLCA 63	33	11,4	20	75	63	210	170	48	164	270	230	27,5
			125	70 / 90													
125	80 / 90	160	125	90	CLCA 80	39	11,4	26	95	80	250	210	57	202	320	280	47
			160	90 / 110													
140	90 / 100	–	–	–	CLCA 90	45	12,4	28	108	90	280	235	66	224	360	320	<sup>3)</sup>
160	100 / 110	200	160	110	CLCA 100	52	12,4	30	120	100	315	250	76	246	405	345	<sup>3)</sup>
			200	110 / 140													
180	110 / 125	–	–	–	CLCA 110	52	15,4	31	138	110	335	305	76	277	425	400	<sup>3)</sup>
200	125 / 140	–	200	140	CLCA 125	52	15,4	32	170	125	365	350	76	310	455	450	<sup>3)</sup>

ØAL = piston Ø

ØMM = piston rod Ø

<sup>1)</sup> Bolt Ø m6 required  
(bolt and bolt lock are included in the scope of delivery and are not mounted upon delivery)

<sup>2)</sup> **m** = weight of clevis bracket in kg

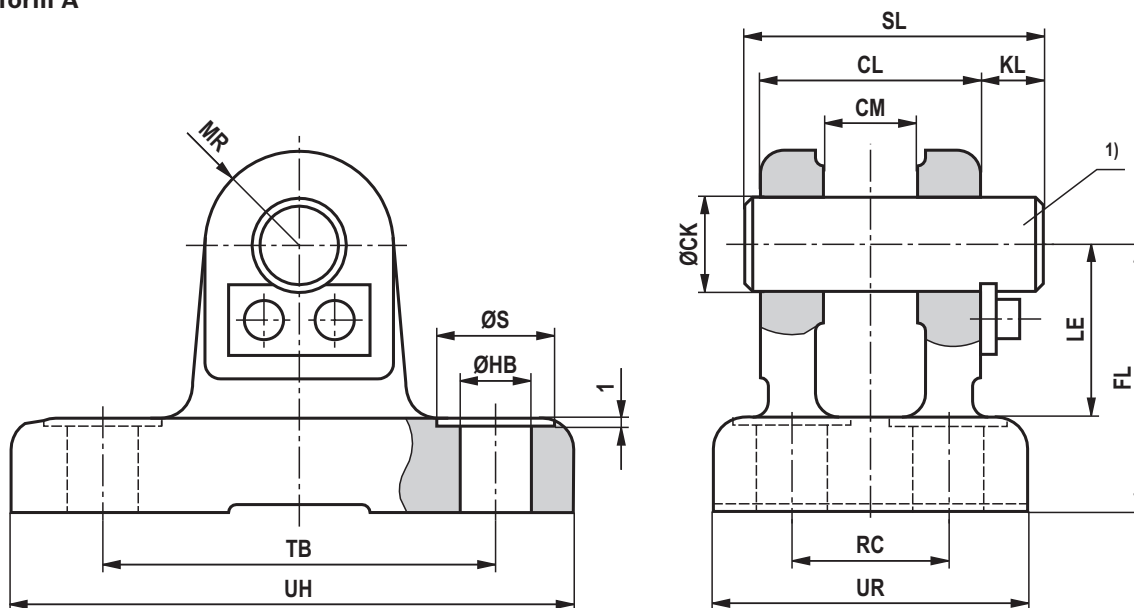
<sup>3)</sup> Upon request

 **Notice!**

Geometry and dimensions may differ depending on the manufacturer. In case of combination with other mounting elements, check the suitability.

**Dimensions: Clevis bracket CLCD** (clampable) for series CDH2/CGH2/CSH2 and CDM1/CGM1/CSM1 (dimensions in mm)

ISO 8132, form A



Series					Type	Material no.	Nominal force kN	ØCK H9 1)	CL h16	CM A13	FL js12	ØHB H13	KL
CDH2 / CGH2 / CSH2 ØAL	ØMM	CDM1 / CGM1 / CSM1 ØAL ØAL ØMM											
–	–	25	25	14 / 18	CLCD 12	R900542879	8	12	28	12	34	9	8
–	–	32	25	18	CLCD 16	R900542880	12,5	16	36	16	40	11	8
			32	18 / 22									
–	–	40	32	22	CLCD 20	R900542881	20	20	45	20	45	11	10
			40	22 / 28									
40	25 / 28	50	40	28	CLCD 25	R900542882	32	25	56	25	55	13,5	10
			50	28 / 36									
50	32 / 36	63	50	36	CLCD 32	R900542883	50	32	70	32	65	17,5	13
			63	36 / 45									
63	40 / 45	80	63	45	CLCD 40	R900542884	80	40	90	40	76	22	16
			80	45 / 56									
80	50 / 56	100	80	56	CLCD 50	R900542885	125	50	110	50	95	26	19
			100	56 / 70									
100	63 / 70	125	100	70	CLCD 63	R900542886	200	63	140	63	112	33	20
			125	70 / 90									
125	80 / 90	160	125	90	CLCD 80	R900542887	320	80	170	80	140	39	26
			160	90 / 110									
140	90 / 100	–	–	–	CLCD 90	3)	400	90	190	90	160	45	28
160	100 / 110	200	160	110	CLCD 100	3)	500	100	210	100	180	45	30
			200	110 / 140									
180	110 / 125	–	–	–	CLCD 110	3)	635	110	240	110	200	52	31
200	125 / 140	–	200	140	CLCD 125	3)	800	125	270	125	230	52	32



**Dimensions: Clevis bracket CLCD** (clampable) for series CDH2/CGH2/CSH2 and CDM1/CGM1/CSM1 (dimensions in mm)

Series					Type	LE min.	MR max.	RC js14	ØS	SL	TB js14	UR max.	UH max.	m <sup>2)</sup> kg
CDH2 / CGH2 / CSH2		CDM1 / CGM1 / CSM1												
ØAL	ØMM	ØAL	ØAL	ØMM										
–	–	25	25	14 / 18	CLCD 12	22	12	20	15	38	50	40	70	0,35
–	–	32	25	18	CLCD 16	27	16	26	18	46	65	50	90	0,7
			32	18 / 22										
–	–	40	32	22	CLCD 20	30	20	32	18	58	75	58	98	0,95
			40	22 / 28										
40	25 / 28	50	40	28	CLCD 25	37	25	40	20	69	85	70	113	1,9
			50	28 / 36										
50	32 / 36	63	50	36	CLCD 32	43	32	50	26	87	110	85	143	3
			63	36 / 45										
63	40 / 45	80	63	45	CLCD 40	52	40	65	33	110	130	108	170	5,5
			80	45 / 56										
80	50 / 56	100	80	56	CLCD 50	65	50	80	40	133	170	130	220	10,6
			100	56 / 70										
100	63 / 70	125	100	70	CLCD 63	75	63	100	48	164	210	160	270	17
			125	70 / 90										
125	80 / 90	160	125	90	CLCD 80	95	80	125	57	202	250	210	320	32
			160	90 / 110										
140	90 / 100	–	–	–	CLCD 90	108	90	140	66	224	290	230	370	<sup>3)</sup>
160	100 / 110	200	160	110	CLCD 100	120	100	160	66	246	315	260	400	<sup>3)</sup>
			200	110 / 140										
180	110 / 125	–	–	–	CLCD 110	138	110	180	76	277	350	290	445	<sup>3)</sup>
200	125 / 140	–	200	140	CLCD 125	170	125	200	76	310	385	320	470	<sup>3)</sup>

ØAL = piston Ø

ØMM = piston rod Ø

<sup>1)</sup> Bolt Ø m6 required  
(bolt and bolt lock are included in the scope of delivery and are not mounted upon delivery)

<sup>2)</sup> **m** = weight of clevis bracket in kg

<sup>3)</sup> Upon request

 **Notice!**

Geometry and dimensions may differ depending on the manufacturer. In case of combination with other mounting elements, check the suitability.

## Notes

Bosch Rexroth AG  
Hydraulics  
Zum Eisengießer 1  
97816 Lohr am Main, Germany  
Phone +49 (0) 93 52/ 18-0  
documentation@boschrexroth.de  
www.boschrexroth.de

© This document, as well as the data, specifications and other information set forth in it, are the exclusive property of Bosch Rexroth AG. It may not be reproduced or given to third parties without its consent.  
The data specified above only serve to describe the product. No statements concerning a certain condition or suitability for a certain application can be derived from our information. The information given does not release the user from the obligation of own judgment and verification. It must be remembered that our products are subject to a natural process of wear and aging.

## Notes

Bosch Rexroth AG  
Hydraulics  
Zum Eisengießer 1  
97816 Lohr am Main, Germany  
Phone +49 (0) 93 52/18-0  
documentation@boschrexroth.de  
www.boschrexroth.de

© This document, as well as the data, specifications and other information set forth in it, are the exclusive property of Bosch Rexroth AG. It may not be reproduced or given to third parties without its consent.  
The data specified above only serve to describe the product. No statements concerning a certain condition or suitability for a certain application can be derived from our information. The information given does not release the user from the obligation of own judgment and verification. It must be remembered that our products are subject to a natural process of wear and aging.

## Notes

Bosch Rexroth AG  
Hydraulics  
Zum Eisengießer 1  
97816 Lohr am Main, Germany  
Phone +49 (0) 93 52/ 18-0  
documentation@boschrexroth.de  
www.boschrexroth.de

© This document, as well as the data, specifications and other information set forth in it, are the exclusive property of Bosch Rexroth AG. It may not be reproduced or given to third parties without its consent.  
The data specified above only serve to describe the product. No statements concerning a certain condition or suitability for a certain application can be derived from our information. The information given does not release the user from the obligation of own judgment and verification. It must be remembered that our products are subject to a natural process of wear and aging.