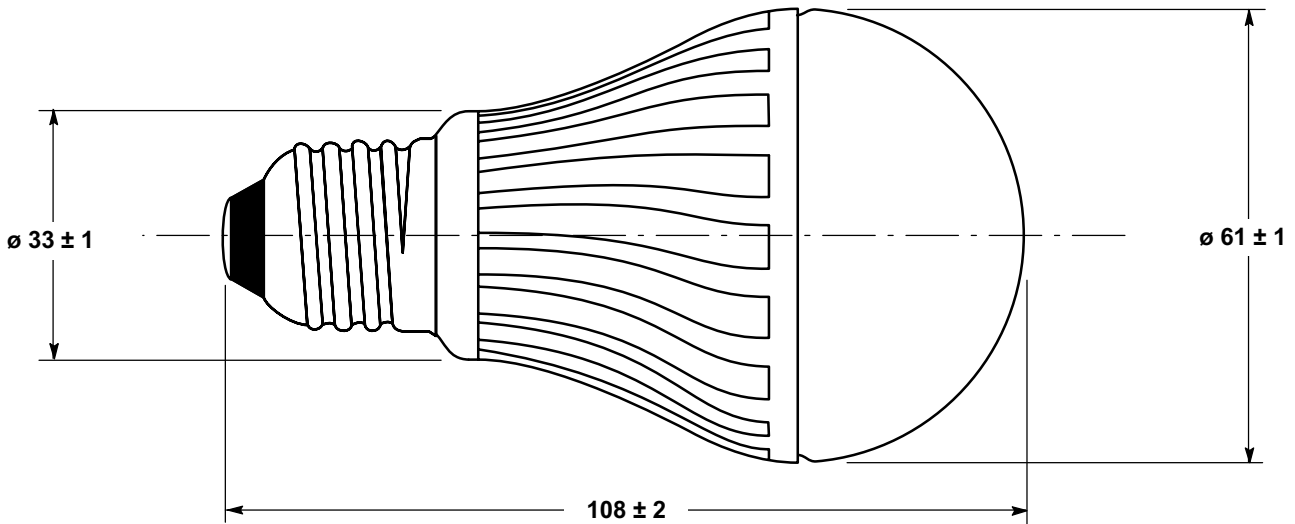


DIMENSIONS (mm)



Bulb type : A60 Satin

Cap type : E27/27 Nickel Plated Brass

LED type : 35 x Samsung SMD

ELECTRICAL DATA:

		NOMINAL	MIN.	MAX.
Lamp rated wattage	(W) :	10.5		12.1
Lamp operating voltage	(V) :	220-240	202	254
Lamp current	(mA) :	140		
Power factor	(λ) :	0.33	0.23	0.43

PHOTOMETRIC DATA:

		NOMINAL	MIN.	MAX.
Luminous Flux	(lm) :	806	725	
Luminous Efficacy	(lm/W) :	77		
Colour Temperature	(K) :	2700		
Colour Rendering Index	(Ra) :	80	77	86
Chromaticity Point	(CCx) :	0.460	Within 5 step MacAdam Ellipse	
	(CCy) :	0.411	Within 5 step MacAdam Ellipse	

OPERATING CONDITIONS:

		NOMINAL	MIN.	MAX.
Burning position	:	Universal		
Ballast	:	Integrated electronic driver		
Ambient temperature limit (°C)	:	25	-10	40
Glass bulb temperature (°C)	:	UC	-	UC
Cap rim temperature (°C)	:	UC	-	UC

LAMP LIFE :

Rated average life (h) : 15,000

APPLICATION:

General indoor lighting.
Not suitable for use with dimmers, electronic timers or PIR detectors.
Fully compliant with IEC 62560 and all other relevant IEC standards.

Issued by : R&D TIENEN
Date : 03.11.2011
Revision date :

DATA SHEET

Specification No. : 70-A-0026737
Supersedes :
Page 1 of 1