

NOTES:

1. $\text{\textcircled{C}}$ REPRESENTS CRITICAL DIMENSION.
2. PARTS ARE ROHS COMPLIANT.
3. PARTS TO BE PACKAGED IN TUBES.
(PT-1-24-01-52 AND TP-13)

PCIE-XXX-02-X-D-TH

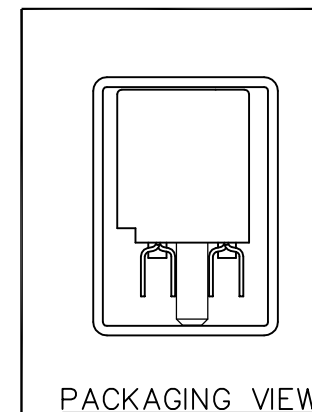
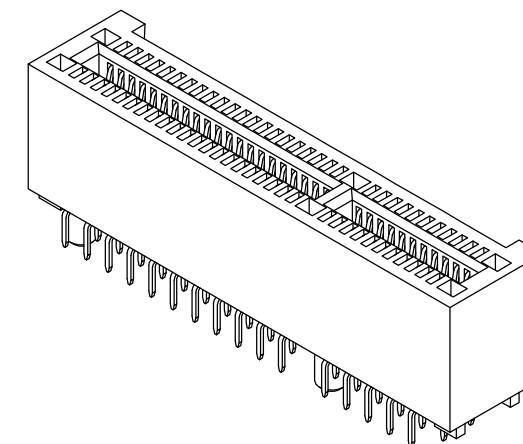
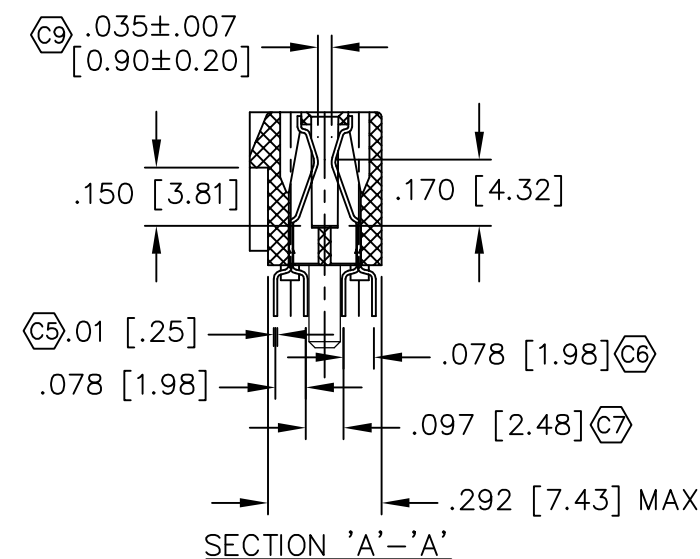
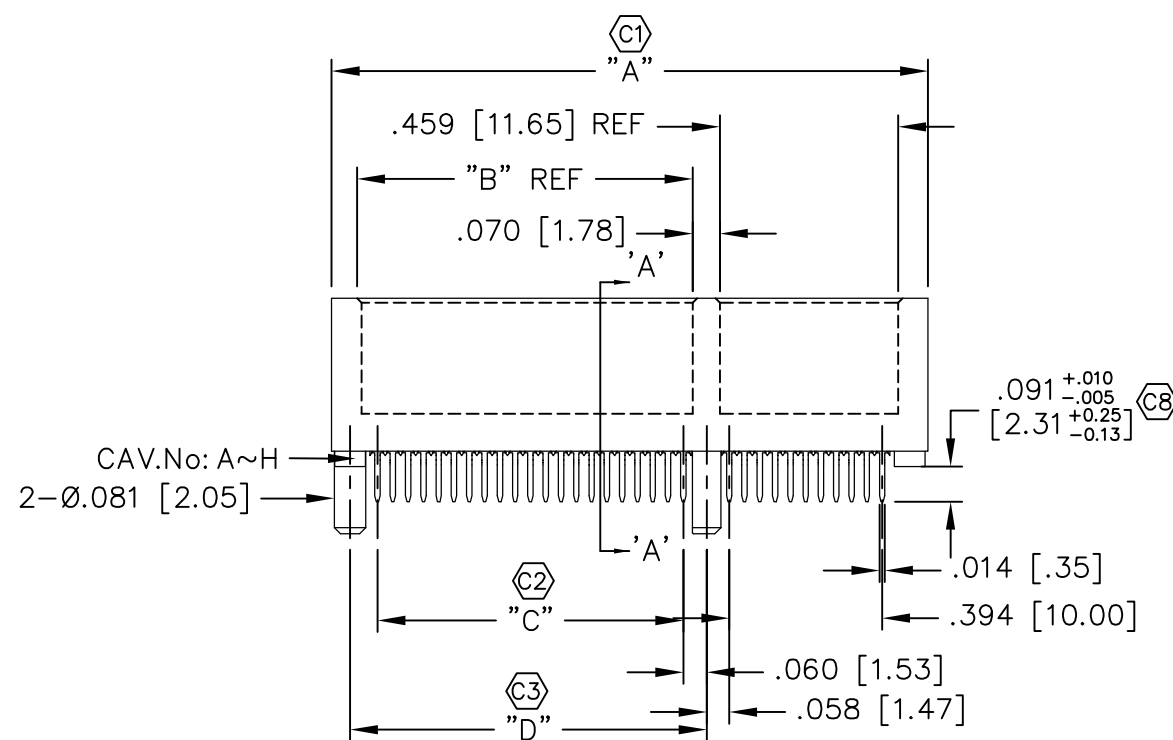
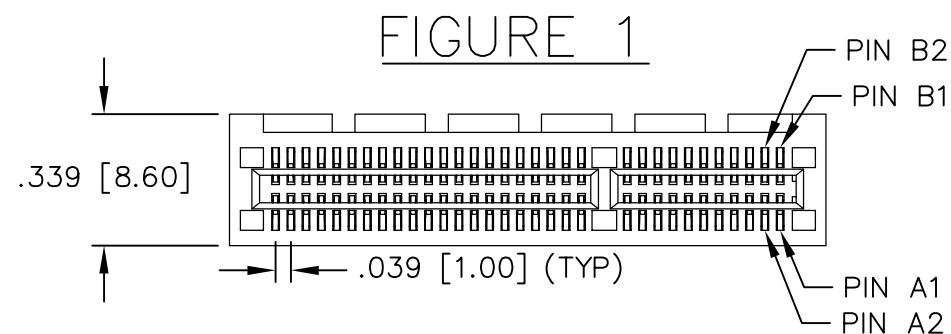
POSITIONS
-036, -064, -098, -164
(SEE TABLE 1)

LEAD STYLE
-02: .062[1.57] THICK CARD

$\text{\textcircled{C4}}$ PLATING
-F: 1μ ' FLASH GOLD IN CONTACT AREA,
BRIGHT ACID TIN ON TAIL.

TAIL OPTION
-TH: THROUGH HOLE

ROW OPTION
-D: DOUBLE ROW



POSITIONS	"A"	"B"	"C"	"D"	"E"	"F"
-036	.984 [25.00]	.301 [7.65]	.236 [6.00]	.360 [9.15]	.236 [6.00]	.321 [8.15]
-064	1.535 [39.00]	.852 [21.65]	.787 [20.00]	.911 [23.15]	.787 [20.00]	.872 [22.15]
-098	2.205 [56.00]	1.522 [38.65]	1.457 [37.00]	1.581 [40.15]	1.457 [37.00]	1.541 [39.15]
-164	3.504 [89.00]	2.821 [71.65]	2.756 [70.00]	2.879 [73.15]	2.756 [70.00]	2.840 [72.15]

UNLESS OTHERWISE SPECIFIED, DIMENSIONS ARE INCHES [MM]. TOLERANCES ARE:
 DECIMALS .X: ±.10 .XX: ±.020 .XXX: ±.015
 HOLES .X: ±.10 .XX: ±.015 .XXX: ±.010

DO NOT SCALE DRAWING
 INSULATOR: NYLON 6/6 (RATED UL94V-0)
 COLOR: BLACK
 CONTACT: PHOSPHOR BRONZE

SHEET SCALE: 1:2

PROPRIETARY NOTE
 THIS DOCUMENT CONTAINS INFORMATION CONFIDENTIAL AND PROPRIETARY TO SAMTEC INC. AND SHALL NOT BE REPRODUCED OR TRANSFERRED TO OTHER DOCUMENTS OR DISCLOSED TO OTHERS OR USED FOR ANY PURPOSE OTHER THAN THAT FOR WHICH IT WAS OBTAINED WITHOUT THE EXPRESSED WRITTEN CONSENT OF SAMTEC INC.

samtec

520 PARK EAST BLVD. NEW ALBANY, IN 47150
 (812) 944-6733 P.O. BOX 1147 TWX: 810-540-4085

DESCRIPTION:
 PCI EXPRESS CARD CONNECTOR

DWG. NO.
 PCIE-XXX-02-X-D-TH

BY: HARPENAU 03/14/05

SHEET 1 OF 1

CODE: 56322