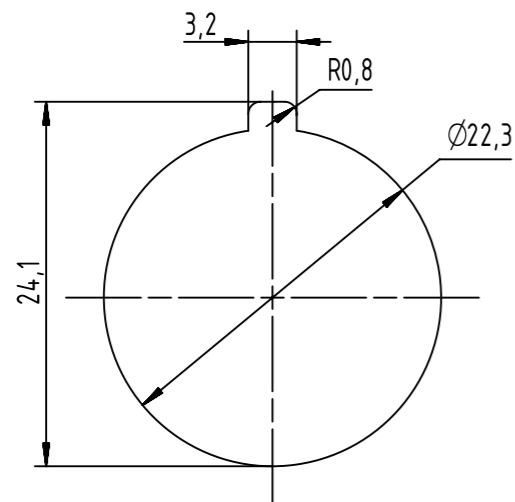
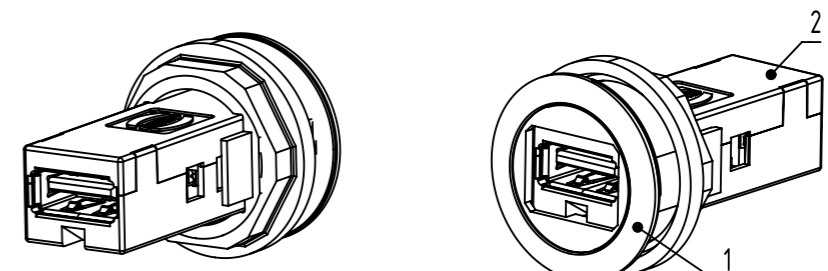


PANEL CUT DIMENSIONS



loading-plan

V Bus	1	1
D-	2	2
D+	3	3
GND	4	4
StdA_SSRX-	5	5
StdA_SSRX+	6	6
GND_DRAIN	7	7
StdA_SSTX-	8	8
StdA_SSTX+	9	9
Shield	Shell	Shell



	All rights reserved Department EC PD - FR HARTING Electronics GmbH D-32339 Espelkamp	All Dimensions in mm Original Size DIN A3	Scale 2:1	Free size tol.	Ref. Sub.
		Created by BOURGEOIS	Inspected by BAGDIKIAN	Standardisation HASSE	Date 2014-10-09
		Title har-port USB 3.0 A-A; PFT			Doc-Key / ECM-Nr. 100205294/UGD/005/B 50000080443
		Type TB	Number 09454521902		Rev. B
					Page 1/1